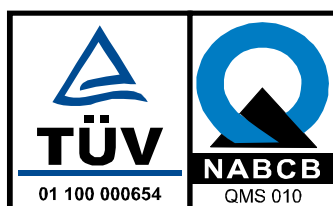




Car, Taxi & LCV Spares

Parts Catalogue

Vol.4
January 2017



An ISO 9001:2008 Certified Co.

About us

EMPIRE OVERSEAS is a hightech Enterprise specialized in development, production and sales of Auto parts. The manufacturing standards of all our parts are very high and ensure the maximum degree of safety under all climatic conditions. Our products are exported to more than 27 countries world-wide.

Quality Policy

We are committed to manufacture, supply and export Auto components to the entire satisfaction of Customers. Our aim is to progress through Continual Improvement in Quality & Productivity.

This is achieved through :

- Meeting the exact requirements of Quality & Productivity consistently.
- On time delivery.
- Building a Competent Work Force.
- Setting & reviewing quality objectives in every department.
- Effective Implementation of Quality Management System based on ISO 9001:2008 requirements.

Certification

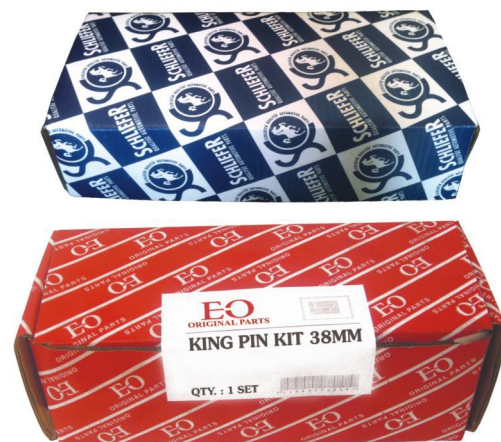
We are a ISO 9001:2008 Certified Company



Our Brands



Our Packing

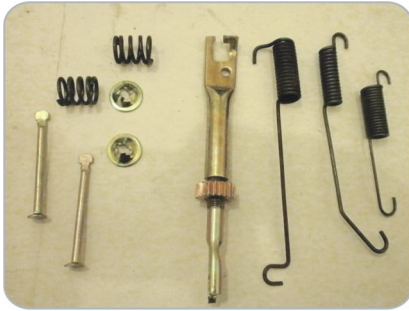




	Page No.
ACCELERATOR , CLUTCH & BRAKE PARTS	
Pedals, Pipes, Cables, Brake Shoe Repair Kits, Brake Adjusters, Brake Levers, Hoses, Forks, Ratchets.	2-11
AXLE, TRANSMISSION AND GEAR BOX PARTS	
Stub Axles, Synchronizer Ring Gears, Axle Shafts, Side Shafts, Crown Wheel Pinions, Gear Changing Shafts, Bush, Differential Gears, Gear Levers, Speedo Gears, Yokes.	12-19
BOLTS & NUTS	
Centre Bolts, Caliper Bolts & Pins, Propellor Shaft, Manifold, Axle.	20-25
BOOTS	
Axle Boots, Steering Boots, Shocker Absorber Boots.	26-40
BUSHES (RUBBER & P.U)	
Control Arm, Torsion Bar, Strut Bar, Gear Lever, Shocker, Suspension, Exhaust.	41-63
CARBURETOR PARTS	
Covers, Base Plates, Repair Kits.	60
DOOR & BODY PARTS	
Bumper Corners, Brackets, Hinges, Window Catchers, Mechanism, Striker Plates, Sliding Railing, Handles.	61-67
ELECTRICAL PARTS & ACCESSORIES	
Solenoid Contact, Plug Tubes, Plug Cord Sets, Switches, Startor Repair Kits, Wires.	68-70
ENGINE PARTS	
O Rings, Push Rods, Timing Covers, Pulleys, Dip Stick.	71
FLANGES	
Differential, Centre Joint, Pinion.	72-73
FLYWHEEL RING GEARS	
For All Japanese Cars & European Trucks.	74
FUEL PUMP PARTS	
Spacer.	75
HEAD GASKETS & KITS	
Cylinder Head, Exhaust, Manifold.	76-80
HOSES (AIR, WATER, FUEL)	
Air Cleaner, Radiator, Fuel Tank.	81
MOUNTINGS	
Engine, Gear Box, Transmission, Shocker, Exhaust, Prop Shaft, Bump Stop.	82-113
OIL SEALS	
Wheel, Gearbox, Pinion Camshaft, Driveshaft, Gearlever.	114-128
STABILIZER PARTS	
Repair Kits.	129
SUSPENSION PARTS	
U Bolts, Base Plates, Suspension Arms, Lateral Links, Bushes.	130-132
UNIVERSAL PARTS & ACCESSORIES	
Rubber Mats, Spanners, Fuel Tanks Caps, Radiator Caps, Licence Holders, Oil Cans, Plug Spanners, Screw Drivers, Boots, Valve Grinding Paste, Hub Caps.	133-137
WHEEL HUBS & BRAKE DRUMS	
Front & Rear Wheel (Forging & Casting).	138-140



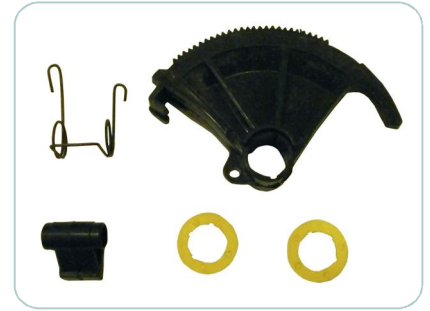
Accelerator, Clutch & Brake Parts



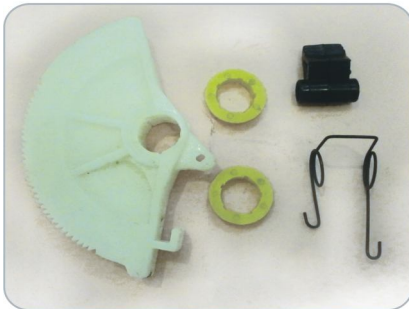
FORD BRAKE SHOE LEV SUPPORT
FORD COUR LH+RH
EO Part No.: EOACB008



FORD CLUTCH RATCHET FORD
SIE 2.0 YELLOW
EO Part No.: EOACB009



FORD CLUTCH RATCHET FORD
V6 (BLACK)
EO Part No.: EOACB010



FORD CLUTCH RATCHET KIT
FORD 1.6 WHITE
EO Part No.: EOACB011



FORD CLUTCH FORK FORD 2.0L
3.0L V6 5-SPEED
EO Part No.: EOACB012



FORD / MAZDA BRAKE LINING KIT
FORD COUR LH
EO Part No.: EOACB013



FORD / MAZDA BRAKE LINING KIT
FORD COUR RH
EO Part No.: EOACB014



HYUNDAI PEDAL PAD RUB HYUN
J2 H100 S P2-96
EO Part No.: EOACB015



INYATI ACCELERATOR
PEDAL INYATI
EO Part No.: EOACB016



INYATI BRAKE LINING KIT
INYATHI LH (15PCS)
EO Part No.: EOACB017



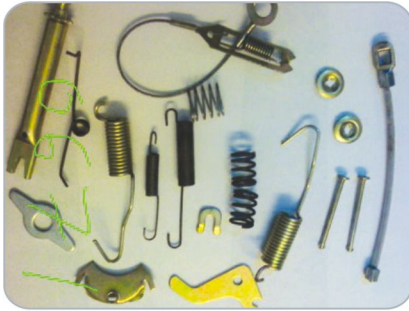
INYATI BRAKE LINING KIT
INYATHI RH
EO Part No.: EOACB018



ISUZU BRAKE LINING KIT
ISU KB-SER LH
EO Part No.: EOACB019



Accelerator, Clutch & Brake Parts



ISUZU BRAKE LINING KIT
ISU KB-SER RH
EO Part No.: EOACB020



MAZDA BS LEVER MAZDA
WITH SPRING LH
EO Part No.: EOACB024



MAZDA BS LEVER
MAZDA WITH SPRING RH
EO Part No.: EOACB025



MAZDA BRAKE ADJ
MAZ MARTH SPEC RH
EO. Part No.: EOACB026



MAZDA BRAKE ADJ
MAZ MARTH SPEC LH
EO Part No.: EOACB027



MAZDA CLUTCH FORK
MAZ 323 FWD P3
EO Part No.: EOACB028



MAZDA CLUTCH FORK
MAZDA MARATHON/SPECTRON
EO Part No.: EOACB029



MAZDA CLUTCH FORK
MAZDA COUR 1.8 PET/2.2 DIES
EO Part No.: EOACB030



MAZDA CLUTCH FORK
MAZDA B3000 COURIER 3.0L
EO Part No.: EOACB031



NISSAN CABLE ACC
NISSAN E20 L18
EO Part No.: EOACB033



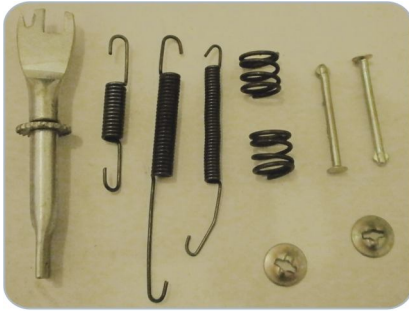
NISSAN BRAKE LINING KIT
NISS 1-TON LH HLX NEW
EO Part No.: EOACB034



NISSAN BRAKE LINING KIT
NISS 1-TON RH HLX NEW
EO Part No.: EOACB035



Accelerator, Clutch & Brake Parts



NISSAN BRAKE LINING KIT
NISS SENT LH
EO Part No.: EOACB036



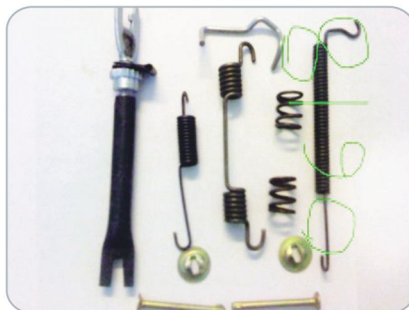
NISSAN BRAKE LINING KIT
NISS SENT RH
EO Part No.: EOACB037



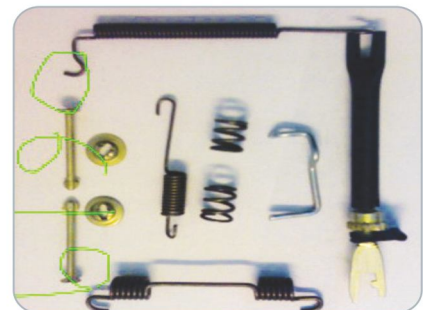
NISSAN BOLT, CALIPER PIN
L-18 UPPER
EO Part No.: EOACB042



NISSAN CLUTCH FORK
NISSAN E20 L18 1800
EO Part No.: EOACB043



OPEL BRAKE LINING KIT
OPEL COR LH
EO Part No.: EOACB044



OPEL BRAKE LINING KIT
OPEL COR RH
EO Part No.: EOACB045



TOYOTA PEDAL PAD ASSY CLUTCH
TOYOTA Y-SERIES 84-
EO Part No.: EOACB047



TOYOTA PEDAL PAD ASSY ACC
TOYOTA Y-SERIES 84
EO Part No.: EOACB048



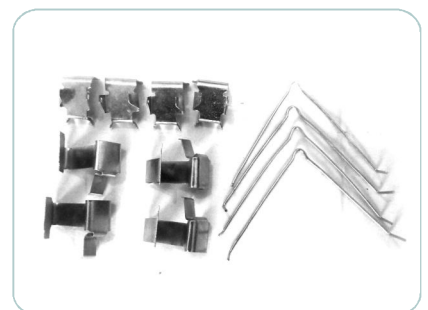
TOYOTA CABLE ACC TOYOTA
HCE Y SERIES 84-
EO Part No.: EOACB049



TOYOTA DISC PAD KIT
TOY Y-SER (D947) 20PCS
EO Part No.: EOACB051



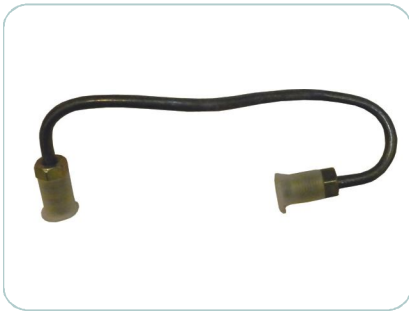
TOYOTA BRAKE CABLE ADJ KIT
TOY QUANTUM
EO Part No.: EOACB050



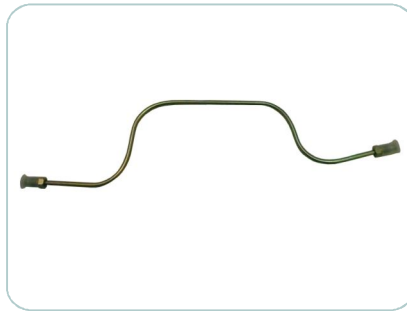
TOYOTA DISC PAD KIT
TOYOTA VENTURE (12PCS)
EO Part No.: EOACB052



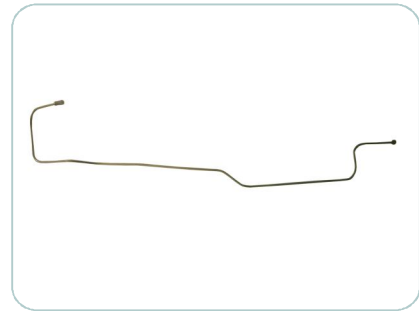
Accelerator, Clutch & Brake Parts



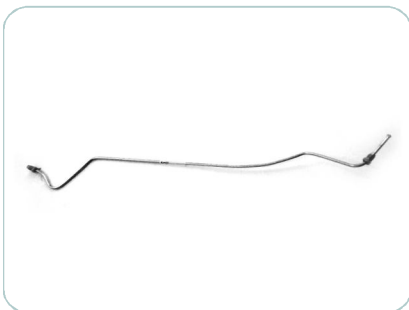
TOYOTA BRAKE CALIPER STEEL PIPE
TOYOTA Y-SER R+L
EO Part No.: EOACB053



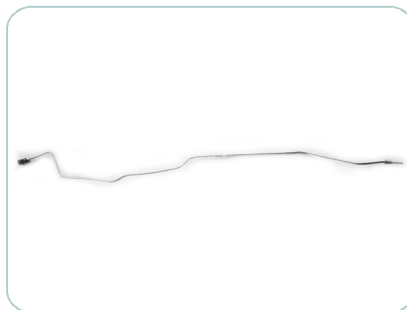
TOYOTA BRAKE DIF STEEL PIPE
TOYOTA Y SER (SHORT)
EO Part No.: EOACB054



TOYOTA BRAKE DIF STEEL PIPE
TOY Y SER (LONG)
EO Part No.: EOACB055



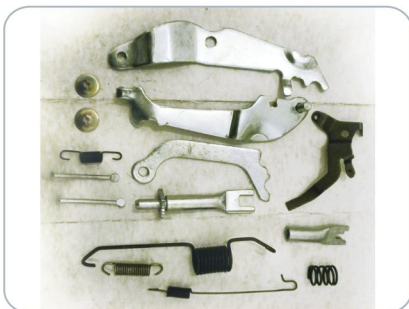
TOYOTA BRAKE DIF PIPE
SHORT QUANTOM
EO Part No.: EOACB056



TOYOTA BRAKE DIF PIPE
LONG QUANTOM
EO Part No.: EOACB057



TOYOTA BRAKE LINING KIT
TOY QUANTUM RH (15PCS)
EO Part No.: EOACB058



TOYOTA BRAKE LINING KIT
TOY QUANTUM LH (15PCS)
EO Part No.: EOACB059



TOYOTA BRAKE LINING KIT
TOYOTA CRLLA CRESS VENT RH
EO Part No.: EOACB060



TOYOTA BRAKE LINING KIT
TOYOTA CRLLA CRESS VENT LH
EO Part No.: EOACB061



TOYOTA BRAKE LINING KIT
TOY LH L/DIFF
EO. Part No.: EOACB062



TOYOTA BRAKE LINING KIT
TOY RH L/DIFF
EO Part No.: EOACB063



TOYOTA BRAKE LINING KIT
TOY IMP RH
EO Part No.: EOACB064



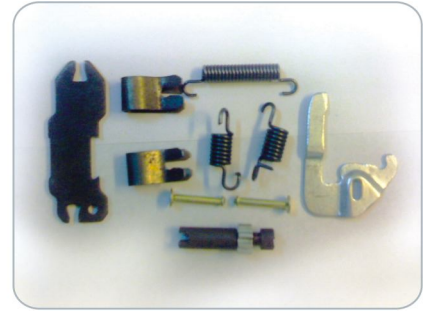
Accelerator, Clutch & Brake Parts



TOYOTA BRAKE LINING KIT
TOY IMP LH
EO Part No.: EOACB065



TOYOTA BRAKE LINING KIT
TOY CRLA NEW RUN X RH
EO Part No.: EOACB066



TOYOTA BRAKE LINING KIT
TOY CRLA NEW RUN X LH
EO Part No.: EOACB067



TOYOTA BRAKE LINING KIT
TOYOTA L/CRUIS L
EO Part No.: EOACB068



TOYOTA BRAKE LINING KIT
TOYOTA L/CRUIS R
EO Part No.: EOACB069



TOYOTA BRAKE ADJ TOYOTA
CRLA VEN CRE LH
EO Part No.: EOACB070



TOYOTA BRAKE ADJ
TOY CRLA VEN CRE RH
EO Part No.: EOACB071



TOYOTA BRAKE ADJUSTER
STRAIGHT RH
EO Part No.: EOACB075



TOYOTA BRAKE ADJUSTER
STRAIGHT LH
EO Part No.: EOACB076



TOYOTA BRAKE SHOE RETAINER
CLIP RH TOY NIS ISU
EO Part No.: EOACB078



TOYOTA BRAKE SHOE RETAINER
CLIP LH TOY NIS ISU
EO Part No.: EOACB079



TOYOTA CALIPER SLEEVE
TOY Y-SERIES (RUBBER)
EO Part No.: EOACB080



Accelerator, Clutch & Brake Parts



TOYOTA BRAKE SHOE LEVER
HI LUX NEW(604) RH
EO Part No.: EOACB081



TOYOTA BRAKE SHOE LEVER
HI LUX NEW(604) LH
EO Part No.: EOACB082



TOYOTA BRAKE ADJ TOYOTA IMP
DIFF RH 452 SHOES
EO Part No.: EOACB083



TOYOTA BRAKE ADJ TOYOTA IMP
DIFF LH 452 SHOES
EO Part No.: EOACB084



TOYOTA BS PLATE LOCAL DIFF.
EO Part No.: EOACB085



TOYOTA BRAKE ADJ. BENT ZOLA LH
EO. Part No.: EOACB086



TOYOTA BRAKE ADJ TOYOTA
NIS ISU BENT RH
EO Part No.: EOACB087



TOYOTA BRAKE SHOE LEV
TOY NIS RH (819)
EO Part No.: EOACB090



TOYOTA BS LEVER
IMP. DIFF. ZOLA LH
EO Part No.: EOACB091



TOYOTA BS LEVER 1MP
DIFF. HI-ACE(LH)
EO Part No.: EOACB092



TOYOTA BS LEVER 1MP
DIFF. HI-ACE(RH)
EO Part No.: EOACB093



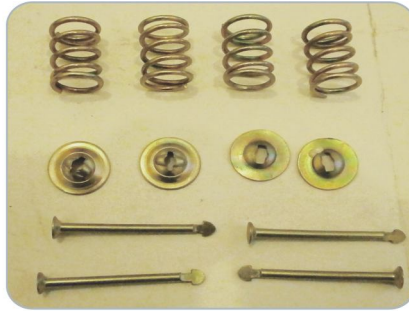
TOYOTA DISC PAD CLIP KIT,
HOUSING CLIP
EO Part No.: EOACB094



Accelerator, Clutch & Brake Parts



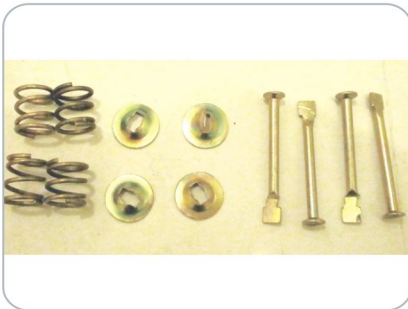
TOYOTA BRAKE shoe HOLD DOWN
KIT TOY L/CRS
EO Part No.: EOACB095



TOYOTA BRAKE SHOE HOLDOWN KIT
TOYOTA IMP DIFF LONG
EO Part No.: EOACB096



TOYOTA BRAKE SHOE HOLDOWN KIT
TOYOTA NISS ISU SHORT
EO Part No.: EOACB097



TOYOTA BRAKE SHOE HLD KIT
TOYOTA VENT CRLLA
EO. Part No.: EOACB098



TOYOTA BS LEVER HI-LUX RH
EO Part No.: EOACB102



TOYOTA BS LEVER HI-LUX LH
EO Part No.: EOACB103



TOYOTA BSL HI-LUX RH
EO Part No.: EOACB104



TOYOTA BS LEVER,HI-LUX LH(FISH)
EO Part No.: EOACB105



TOYOTA HORSE SHOE CLIP, ZOLA
EO Part No.: EOACB106



TOYOTA BRAKE ADJ TOYOTA
HLX LATE RH (604
EO Part No.: EOACB107



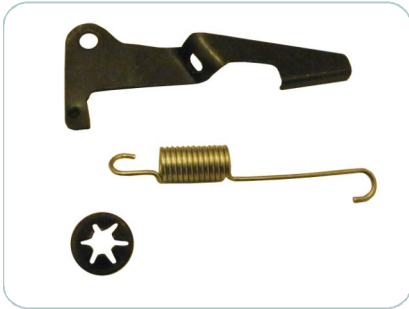
TOYOTA BRAKE ADJ TOYOTA
HLX LATE LH 604
EO Part No.: EOACB108



TOYOTA BS PLATE(LEVER SUPPORT)
EO Part No.: EOACB109



Accelerator, Clutch & Brake Parts



TOYOTA BRAKE SHOE LEV CLIP
TOYOTA HLX NEW LH
EO Part No.: EOACB110



TOYOTA BRAKE SHOE LEV CLIP
TOYOTA HLX NEW RH
EO Part No.: EOACB111



TOYOTA CABLE HB
TOYOTA HI ACE
EO Part No.: EOACB112



TOYOTA CABLE RW
TOYOTA HCE RH-QUANTOM
EO Part No.: EOACB113



TOYOTA CABLE RW
TOYOTA HCE LH-QUANTOM
EO Part No.: EOACB114



TOYOTA PEDAL PAD RUBBER
TOYOTA QUANTOM 2.7I
EO Part No.: EOACB115



TOYOTA CLUTCH HUB
COLLER HI-ACE
EO Part No.: EOACB116



TOYOTA CLUTCH FORK
TOYOTA Y-SERIES
EO Part No.: EOACB117



TOYOTA CLUTCH FORK
QUANTUM
EO Part No.: EOACB118



TOYOTA PEDAL PAD RUB
ISU KB TFR SER 88-
EO Part No.: EOACB119



TOYOTA BRAKE LINING KIT
TOY L/CRUIS LH HZJ78 79
EO Part No.: EOACB120



TOYOTA BRAKE LINING KIT
TOY L/CRUIS RH HZJ78 79
EO Part No.: EOACB121



Accelerator, Clutch & Brake Parts



VOLKSWAGON ACCELERATOR PEDAL
VW MICROBUS
EO Part No.: EOACB122



VOLKSWAGON BRAKE LINING KIT
VW GLF JETT 1+2 LH
EO Part No.: EOACB123



VOLKSWAGON BRAKE LINING KIT
VW GLF JETT 1+2 RH
EO Part No.: EOACB124



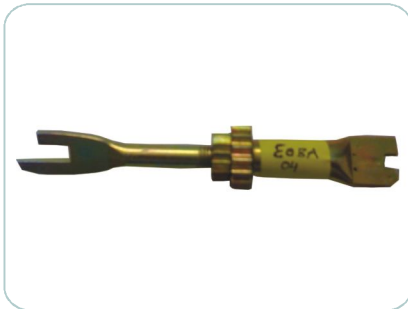
VOLKSWAGON BRAKE LINING KIT
VW KOMBI LH
EO Part No.: EOACB125



VOLKSWAGON BRAKE LINING KIT
VW KOMBI RH
EO Part No.: EOACB126



VOLKSWAGON BRAKE ADJUSTER
MICRO BUS LH
EO Part No.: EOACB131



VOLKSWAGON BRAKE ADJ
VW KOMBI MICROBUS RH
EO Part No.: EOACB132



VOLKSWAGON CABLE CLUTCH VW
GEAR LEVERF 1.5 1.6 GEAR LEVERF 1
EO Part No.: EOACB133



VOLKSWAGON CABLE CLUTCH
VW GEAR LEVERF JETT 1.6 1.8 84-
EO Part No.: EOACB134



VOLKSWAGON CABLE CLUTCH
VW GEAR LEVERF JETT 1.3 1.6 1.8
EO Part No.: EOACB135



VOLKSWAGON CABLE CLUTCH
RUBBER STRAP VW GOLF
EO Part No.: EOACB136



VOLKSWAGON CABLE CLUTCH
RUBBER GROMET VW GOLF
EO Part No.: EOACB137



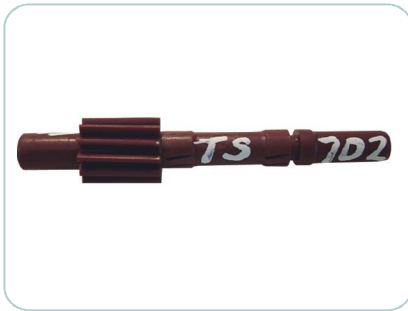
Brake Hoses



S.No.	VEHICLE	EO Part No.	Fitment / Model
1.	BMW	EOACB001	BRAKE HOSE BMW 3 SERIES FRT 83-
2.	BMW	EOACB002	BRAKE HOSE BMW 5 SERIES FRT 81
3.	FORD	EOACB004	BRAKE HOSE FORD CORT 1.6 2L 3L V6 77-
4.	FORD	EOACB005	BRAKE HOSE FORD SIERRA SAPPHIRE 84-
5.	FORD	EOACB006	BRAKE HOSE FORD ESCORT RWD -77
6.	ISUZU	EOACB021	BRAKE HOSE ISUZU WFR TFR SERIES 89-
7.	MAZDA	EOACB022	BRAKE HOSE MAZ 323 FWD MET LSR
8.	MAZDA	EOACB023	BRAKE HOSE MAZ MRTH SPEC B-SERIES 86-
9.	MITSUBISHI	EOACB032	BRAKE HOSE MIT L300 FRT 83- (SHORT)
10.	NISSAN	EOACB038	BRAKE HOSE NISS 1200 1400 A14 75-
11.	NISSAN	EOACB039	BRAKE HOSE E20, SQUARE TYPE
12.	NISSAN	EOACB040	BRAKE HOSE NISSAN 1 TON LH
13.	NISSAN	EOACB041	BRAKE HOSE NISSAN 1 TON RH
14.	OPEL	EOACB046	BRAKE HOSE OPEL KADETT MONZA FWD 85-
15.	TOYOTA	EOACB099	BRAKE HOSE TOYOTAOTA 370 mm LONG
16.	TOYOTA	EOACB072	BRAKE HOSE TOYOTAOTA CORROLA FRONT
17.	TOYOTA	EOACB073	BRAKE HOSE TOYOTA HCE HLX Y-SERIES 84-93
18.	TOYOTA	EOACB074	BRAKE HOSE (CLUTCH HOSE) TOYOTA HCE HLX 84-
19.	TOYOTA	EOACB100	BRAKE HOSE LENTH 485 MM
20.	TOYOTA	EOACB101	BRAKE HOSE TOYOTA QUANTUN
21.	VOLKSWAGON	EOACB127	BRAKE HOSE VW GOLF
22.	VOLKSWAGON	EOACB128	BRAKE HOSE VW BEETLE FRONT 77
23.	VOLKSWAGON	EOACB129	BRAKE HOSE VW BEETLE FRT -77
24.	VOLKSWAGON	EOACB130	BRAKE HOSE VW BEETLE REAR-77



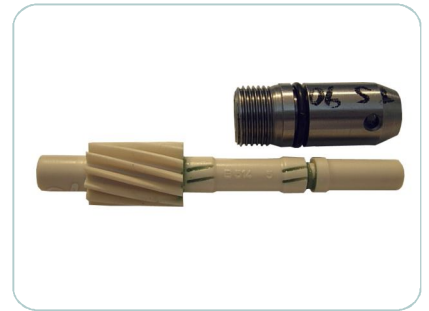
Axle, Transmission & Gear Box Parts



FIAT SPEEDO GEAR ALFA
EO Part No.: EOATG001



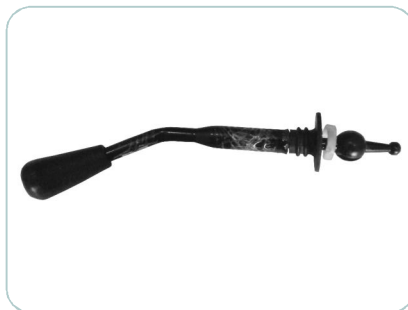
FIAT SPEEDO GEAR ALFA B
EO. Part No.: EOATG002



FIAT SPEEDO GEAR + BUSH
EO Part No.: EOATG003



FORD BUSH G/BOX EXT FORD
COUR + V6(35.3x39.7x42.50)
EO Part No.: EOATG007



FORD GEAR LEVER FORD COURIER
2.0 (FLOOR SHIFT)
EO Part No.: EOATG008



FORD GEAR LEVER FORD
V65 SPEED 3 HOLE
EO Part No.: EOATG009



FORD GEAR LEVER.
FORD CORTINA 1600
EO Part No.: EOATG010



FORD GEAR LEVER.
FORD CORTINA V6 3.0
EO Part No.: EOATG011



FORD / MAZDA CNT ARMSHAFT +
BUSH MAZ COURI
EO Part No.: EOATG012



MAZDA STUB AXLE MAZDA
P3 RH REAR
EO Part No.: EOATG021



MAZDA SYN RING MAZ T3500
(39 TEETH)
EO Part No.: EOATG022



MAZDA SYN RING MAZ T3500
(42 TEETH)
EO Part No.: EOATG023



Axle, Transmission & Gear Box Parts



MAZDA SYN RING NISS A14 4SPD
(12 TEETH)
EO Part No.: EOATG024



NISSAN EXT. HOUSE BUSH METAL
NISSAN A-1400
EO Part No.: EOATG038



NISSAN EXT. HOUSE BUSH METAL
NISSAN E-20
EO Part No.: EOATG039



NISSAN GEARBOX SPIGOT BUSH
NISSAN L18 1
EO Part No.: EOATG040



NISSAN GEAR LEVER. NISSAN
1400 LDV
EO Part No.: EOATG042



NISSAN GEAR LEVER.
NISSAN E-20
EO Part No.: EOATG043



NISSAN YOKE GU 500
NISSAN LDV E 20
EO Part No.: EOATG044



TOYOTA STUB AXLE TOYOTA VENT
1.8 2.0 2.2 LH
EO Part No.: EOATG045



TOYOTA STUB AXLE TOYOTA VENT
1.8 2.0 2.2 RH
EO. Part No.: EOATG046



TOYOTA SIDE SHAFT PLATE ZOLA
EO Part No.: EOATG066



TOYOTA CROWN WHEEL + PINION
M75 (9X41-4.55)
EO. Part No.: EOATG073



TOYOTA CROWN WHEEL
PINION 8X39
EO Part No.: EOATG074



Axle, Transmission & Gear Box Parts



TOYOTA GEARCHANGE
BRACKET(L445)
EO Part No.: EOATG075



TOYOTA GEAR CHANGE SHAFT
TOYOTA Y-SERIES
EO Part No.: EOATG076



TOYOTA GEARLINKAGE SET3PC
TOYOTA Y-SER
EO Part No.: EOATG077



TOYOTA EXT. HOUSING BUSH
4Y-SMALL
EO Part No.: EOATG078



TOYOTA BUSH G/BOX EXT TOY
HLX(38.7x43.25x35)
EO Part No.: EOATG079



TOYOTA BUSH G/BOX EXT TOY
4Y 5SPD (OD44 ID39.4 L36)
EO Part No.: EOATG080



TOYOTA BRACKET GEAR CHANGE
ZOLA
EO Part No.: EOATG081



TOYOTA SHIM LARGE
EO Part No.: EOATG082



TOYOTA SPIDER GEAR WASHER
SMALL TOY NISS ISU MAZ
EO Part No.: EOATG083



TOYOTA SPIDER GEARTOYOTA
NISSAN M75 SMALL
EO Part No.: EOATG084



TOYOTA SPIDER GEARSHAFT 3Y
EO Part No.: EOATG085



TOYOTA SPIDER GEAR TOY M75
25 TEETH 16 GEARS
EO Part No.: EOATG086



Axle, Transmission & Gear Box Parts



TOYOTA SPIDER GEARTOYOTA
Y-SER 27-TEETH
EO Part No.: EOATG087



TOYOTA SPIDER GEAR TOYOTA
Y-SER M80 LARGE
EO Part No.: EOATG088



TOYOTA SPIDER GEARSMALL
(SG-2) 4Y
EO Part No.: EOATG089



TOYOTA GEAR LEVER TOYOTA
CRESS (FLOOR SHIFT)
EO Part No.: EOATG090



TOYOTA GEAR LEVER TOY.
HI-LUX YN SERIES (F)
EO Part No.: EOATG091



TOYOTA GEAR LEVER. TOYOTA.
HI-ACE Y SERIES (STR)
EO Part No.: EOATG092



TOYOTA GEAR LEVER. TOYOTA.
VENTURE FLOOR SHIFT TRANSFER
EO Part No.: EOATG093



TOYOTA GEAR LEVER TOY HLX
1.8 2.4 98- (FLOOR SHIFT)
EO Part No.: EOATG094



TOYOTA TOYOTA TAZZ GEAR LEVER
EO Part No.: EOATG095



TOYOTA TOYOTA CRLLA
GEAR LEVER
EO Part No.: EOATG096



TOYOTA YOKE GU1100 TOYOTA
HLX HCE Y-SER LOCAL DIFF
EO. Part No.: EOATG097



TOYOTA YOKE TOYOTAOTA REARGU
1100 -SQUARE
EO Part No.: EOATG098



Axle, Transmission & Gear Box Parts



TOYOTA YOKE TOYOTAOTA HI ACE
HLS IMP DIFFW/OLOCK
EO Part No.: EOATG099



TOYOTA BRGEAR LEVER LOCK RING
FOR PQ154 (361964)
EO Part No.: EOATG0102



TOYOTA BRGEAR LEVER LOCK RING
(PQ107) 1700289
EO Part No.: EOATG0103



TOYOTA BRGEAR LEVER LOCK
RING FOR 6308 BRG
EO Part No.: EOATG0104



Axle Shafts



S.No.	VEHICLE	EO Part No.	O.E.M. Part No.	LENGTH	SPLINES	HOLES
1.	BEDFORD J4	EOAS39	6303952	37-3/16"	42	12
2.	BEDFORD J6	EOAS38	6327610	37-1/8"	42	12
3.	BEDFORD J6	EOAS63	6315559	37"	44	12
4.	DAIHATSU TAFT(LH)GT	EOAS26	42312 - 87606	695	30	5
5.	DAIHATSU TAFT(LH)GT	EOAS27	42311 - 87606	573	30	5
6.	DAIHATSU HILINE P	EOAS37	42312 - 87607	701	30	5
7.	DAIHATSU HILINE P	EOAS36	42311 - 87607	574	30	5
8.	FORD COURIER RH	EOAS14	-	-	-	-
9.	FORD COURIER LH	EOAS15	-	-	-	-
10.	HINO LOHAN	EOAS64	42311 - 3711	1110 mm	34	10
11.	HINO	EOAS65	42311 - 3280	1030 mm	34	10
12.	HINO	EOAS49	42311 - 3550	1020 mm	29	10
13.	HINO SUMO	EOAS50	42311 - 2760	1020 mm	29	10
14.	HINO	EOAS51	42311 - 3470	965 mm	31	10
15.	HINO LOHAN	EOAS66	42311 - 3720	950 mm	34	10
16.	HINO	EOAS53	42311 - 3330	1010 mm	31	10
17.	HINO	EOAS67	42311 - 3480	1090 mm	31	10
18.	HINO	EOAS68	42311 - 3260	1090 mm	29	10
19.	HINO	EOAS69	42311 - 3250	960 mm	29	10
20.	INYATI BAW LH & RH	EOAS25	-	715 mm	30	5+1+1
21.	INYATI DRAGON LH & RH	EOAS24	-	719 mm	30	5
22.	ISUZU KB 2 RH	EOAS08	-	721 mm	27	6+2
23.	ISUZU KB 2 LH	EOAS09	-	685 mm	27	6+2
24.	ISUZU NKR 66	EOAS58	89712-68930	780	20	8 (TAPER)
25.	LANDROVER	EOAS70	231265	21-1/16"	16	5
26.	LANDROVER	EOAS71	231266	29-1/8"	10	5
27.	LANDROVER 2	EOAS72	276319	34-13/16"	10	-
28.	LANDROVER 2	EOAS73	236318	26"	10	-
29.	LANDROVER 3	EOAS74	576768	32-29/32"	24	-
30.	LANDROVER 3	EOAS75	576767	25-3/4"	24	-
31.	MAZDA T 3500	EOAS76	WO 2526111	798 mm	40	10+2
32.	MINIBUS FUSO FIGHTER	EOAS33	12021-03600	940 mm	18	8
33.	MINIBUS FUSO FIGHTER	EOAS77	MB 880669	991 mm	18	8
34.	MINIBUS FUSO FIGHTER	EOAS78	MC 880669	1000 mm	18	8
35.	MINIBUS FUSO FIGHTER	EOAS34	MC 881670	1040 mm	18	8
36.	MINIBUS FUSO FIGHTER	EOAS79	MB 827736	1002 mm	21	10



Axle Shafts



S.No.	VEHICLE	EO Part No.	O.E.M. Part No.	LENGTH	SPLINES	HOLES
37.	MITSUBISHI L300 Deluxe	EOAS56	MB 860914	700	28	5
38.	MITSUBISHI L300 Cyclone	EOAS57	MB 860919	695	28	5
39.	MITSUBISHI FE 71	EOAS55	-	757	18	8 + 2
40.	MITSUBISHI Canter FE 111	EOAS80	MB 161301	770	18	6 + 2 + 2
41.	MITSUBISHI Canter PS 120	EOAS32	MB 308903	800	18	6 + 2 + 2
42.	MITSUBISHI Canter PS 100	EOAS81	MB 308901	770	18	6 + 2 + 2
43.	MITSUBISHI Canter PS 125 Turbo	EOAS82	-	836	18	8 + 2
44.	MITSUBISHI L200 (DOUBLE CABIN)	EOAS59	-	715	28	6
45.	NISSAN I TON RH	EOAS16	-	727 mm	27	6 + 2
46.	NISSAN I TON LH	EOAS17	-	695 mm	27	6 + 2
47.	SUZUKI ST 100	EOAS46	44210 - 77300	640	26	4
48.	SUZUKI FUTURA	EOAS31	44210 - 77500	682	25	4
49.	TOYOTA RINO	EOAS29	42311 - 36181	752	37	8 + 2 + 2
50.	TOYOTA Dinosorous	EOAS30	42311 - OW030	778	37	8 + 2 + 2
51.	TOYOTA KIJANG 3K	EOAS83	42311 - 21014	645	23	4 + 2
52.	TOYOTA KIJANG 4K	EOAS84	42311 - 22100	680	23	4 + 2
53.	TOYOTA KIJANG 7K	EOAS28	42311 - 0B010	705	23	4 + 2
54.	TOYOTA Landcruiser L-440	EOAS85	-	440	30X22	-
55.	TOYOTA Landcruiser	EOAS86	-	740	-	L740
56.	TOYOTA Avanza RH-Long	EOAS60	42301-B2010	775	25	4 + 2
57.	TOYOTA Avanza LH-Short	EOAS61	42302-B2010	680	25	4 + 2
58.	TOYOTA-Hiace Local Diff. LH	EOAS01	-	692 mm	27	5 + 1
59.	TOYOTA-Hiace Local Diff. RH	EOAS02	-	727 mm	27	5 + 1
60.	TOYOTA-Hiace Local Diff. L & R	EOAS03	-	700 mm	30	5 + 1 + 1
61.	TOYOTA VENTURE RH	EOAS06	-	695 mm	27	4 + 2
62.	TOYOTA VENTURE LH	EOAS07	-	667 mm	27	4 + 2
63.	TOYOTA HI-LUX RH	EOAS10	-	658 mm	27	5 + 1
64.	TOYOTA HI-LUX LH	EOAS11	-	656 mm	27	5 + 1
65.	TOYOTA HI-LUX RH	EOAS12	-	695 mm	25	5 + 1
66.	TOYOTA HI-LUX LH	EOAS13	-	666 mm	25	5 + 1
67.	TOYOTA QUANTOM	EOAS21	-	823 mm	30	6 + 1
68.	TOYOTA FZJ75 HZJ LH	EOAS19	-	-	-	-
69.	TOYOTA FZJ75 HZJ RH	EOAS20	-	-	-	-



S.No.	VEHICLE	EO Part No.	Fitment / Model
1.	FORD	EOATG004	SYN RING FORD COUR MAZ B-SER (39TEETH)
2.	ISUZU	EOATG015	SYN RING ISU WFR KB TFR (30 TEETH)
3.	ISUZU	EOATG016	SYN RING ISU WFR RELAY TFR (33 TEETH)
4.	ISUZU	EOATG017	SYN RING ISU WFR KB TFR (36 TEETH) LRG
5.	ISUZU	EOATG018	SYN RING ISU KB280 2.8 (45TEETH)
6.	MAZDA	EOATG025	SYN RING MAZ T3500 (39 TEETH)
7.	MAZDA	EOATG026	SYN RING MAZ T3500 (42 TEETH)
8.	NISSAN	EOATG027	SYN RING NISS A14 4SPD (12 TEE
9.	NISSAN	EOATG028	SYN RING NISS L18 5-SPD (30TEE
10.	NISSAN	EOATG029	SYN RING NISS A14 5 SPD (6 TEETH)
11.	NISSAN	EOATG030	SYN RING NISS 1-TONN (30 TEETH)
12.	NISSAN	EOATG031	SYN RING NISS A14 5 SPEED (18 TEETH)
13.	NISSAN	EOATG032	SYN RING NISS SENT 5SPEED 1ST/2/3/4 (18TEETH)
14.	NISSAN	EOATG033	SYN RING NISS SENT 5SPEED 5TH GEAR
15.	NISSAN	EOATG034	SYN RING NISS 1-TONNER (36TEETH)
16.	NISSAN	EOATG035	SYN RING NISS CABSTAR (33TEETH)
17.	TOYOTA	EOATG047	SYN RING TOYOTA Y-SER 5 SPEED SML
18.	TOYOTA	EOATG048	SYN RING TOYOTA HCE HLX 12R 18R (33 TEETH)
19.	TOYOTA	EOATG049	SYN RING TOYOTA CRLLA RWD 1.3 1.6 1.8 (27TEETH)
20.	TOYOTA	EOATG050	SYN RING TOYOTA Y-SERIES LARGE (39 TEETH)
21.	TOYOTA	EOATG051	SYNCRONIZER RINGS
22.	TOYOTA	EOATG052	SYN RING TOYOTA CRLLA FWD 5TH GEAR(12TEETH)
23.	TOYOTA	EOATG053	SYN RING
24.	TOYOTA	EOATG054	SYN RING TOYOTA DYNA TRUCK ALL (45TEETH)
25.	TOYOTA	EOATG055	SYNCRONIZER RINGS
26.	TOYOTA	EOATG056	SYNCRONIZER RINGS
27.	VOLKSWAGON	EOATG100	SYN RING VW KOM 1.8 1.9 2.0 2.1 2.5 (24TEETH
28.	VOLKSWAGON	EOATG101	SYN RING VW GEAR LEVERF JETT 1.3 1.6 1.8 (33TEETH)



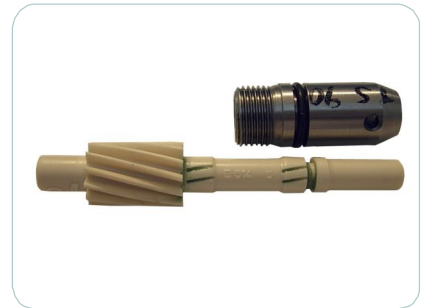
Axle, Transmission & Gear Box Parts



FIAT SPEEDO GEAR ALFA
EO Part No.: EOATG001



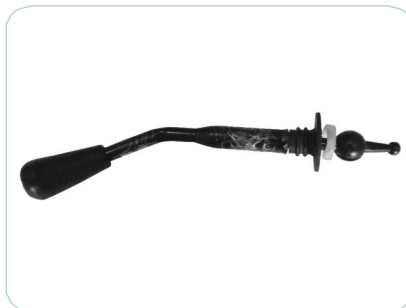
FIAT SPEEDO GEAR ALFA B
EO. Part No.: EOATG002



FIAT SPEEDO GEAR+ BUSH
EO Part No.: EOATG003



FORD BUSH G/BOX EXT FORD
COUR + V6(35.3x39.7x42.50)
EO Part No.: EOATG007



FORD GEAR LEVER FORD COURIER
2.0 (FLOOR SHIFT)
EO Part No.: EOATG008



FORD GEAR LEVER FORD
V65 SPEED 3 HOLE
EO Part No.: EOATG009



FORD GEAR LEVER.
FORD CORTINA 1600
EO Part No.: EOATG010



FORD GEAR LEVER.
FORD CORTINA V6 3.0
EO Part No.: EOATG011



FORD / MAZDA CNT ARMSHAFT +
BUSH MAZ COURI
EO Part No.: EOATG012



MAZDA STUB AXLE MAZDA
P3 RH REAR
EO Part No.: EOATG021



MAZDA SYN RING MAZ T3500
(39 TEETH)
EO Part No.: EOATG022



MAZDA SYN RING MAZ T3500
(42 TEETH)
EO Part No.: EOATG023



Axle, Transmission & Gear Box Parts



MAZDA SYN RING NISS A14 4SPD
(12 TEETH)
EO Part No.: EOATG024



NISSAN EXT. HOUSE BUSH METAL
NISSAN A-1400
EO Part No.: EOATG038



NISSAN EXT. HOUSE BUSH METAL
NISSAN E-20
EO Part No.: EOATG039



NISSAN GEARBOX SPIGOT BUSH
NISSAN L18 1
EO Part No.: EOATG040



NISSAN GEAR LEVER. NISSAN
1400 LDV
EO Part No.: EOATG042



NISSAN GEAR LEVER.
NISSAN E-20
EO Part No.: EOATG043



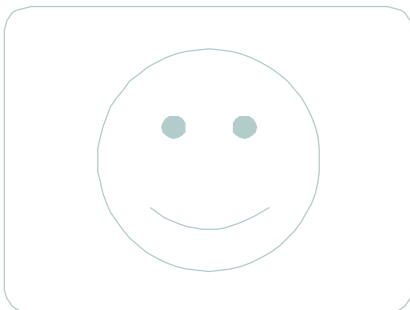
NISSAN YOKE GU 500
NISSAN LDV E 20
EO Part No.: EOATG044



TOYOTA STUB AXLE TOYOTA VENT
1.8 2.0 2.2 LH
EO Part No.: EOATG045



TOYOTA STUB AXLE TOYOTA VENT
1.8 2.0 2.2 RH
EO. Part No.: EOATG046



TOYOTA SIDE SHAFT PLATE ZOLA
EO Part No.: EOATG066



TOYOTA CROWN WHEEL + PINION
M75 (9X41-4.55)
EO. Part No.: EOATG073



TOYOTA CROWN WHEEL
PINION 8X39
EO Part No.: EOATG074



Axle, Transmission & Gear Box Parts



TOYOTA GEARCHANGE
BRAKET(L445)
EO Part No.: EOATG075



TOYOTA GEAR CHANGE SHAFT
TOYOTA Y-SERIES
EO Part No.: EOATG076



TOYOTA GEARLINKAGE SET3PC
TOYOTA Y-SER
EO Part No.: EOATG077



TOYOTA EXT. HOUSING BUSH
4Y-SMALL
EO Part No.: EOATG078



TOYOTA BUSH G/BOX EXT TOY
HLX(38.7x43.25x35)
EO Part No.: EOATG079



TOYOTA BUSH G/BOX EXT TOY
4Y 5SPD (OD44 ID39.4 L36)
EO Part No.: EOATG080



TOYOTA BRAKET GEAR CHANGE
ZOLA
EO Part No.: EOATG081



TOYOTA SHIM LARGE
EO Part No.: EOATG082



TOYOTA SPIDER GEAR WASHER
SMALL TOY NISS ISU MAZ
EO Part No.: EOATG083



TOYOTA SPIDER GEARTOYOTA
NISSAN M75 SMALL
EO Part No.: EOATG084



TOYOTA SPIDER GEARSHAFT 3Y
EO. Part No.: EOATG085



TOYOTA SPIDER GEAR TOY M75
25 TEETH 16 GEARS
EO Part No.: EOATG086



Axle, Transmission & Gear Box Parts



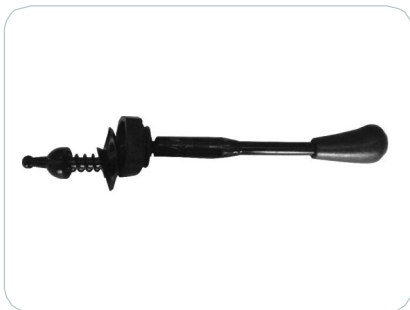
TOYOTA SPIDER GEARTOYOTA
Y-SER 27-TEETH
EO Part No.: EOATG087



TOYOTA SPIDER GEAR TOYOTA
Y-SER M80 LARGE
EO Part No.: EOATG088



TOYOTA SPIDER GEARSMALL
(SG-2) 4Y
EO Part No.: EOATG089



TOYOTA GEAR LEVER TOYOTA
CRESS (FLOOR SHIFT)
EO Part No.: EOATG090



TOYOTA GEAR LEVER TOY.
HI-LUX YN SERIES (F)
EO Part No.: EOATG091



TOYOTA GEAR LEVER. TOYOTA.
HI-ACE Y SERIES (STR)
EO Part No.: EOATG092



TOYOTA GEAR LEVER. TOYOTA.
VENTURE FLOOR SHIFT TRANSFER
EO Part No.: EOATG093



TOYOTA GEAR LEVER TOY HLX
1.8 2.4 98- (FLOOR SHIFT)
EO Part No.: EOATG094



TOYOTA TOYOTA TAZZ GEAR LEVER
EO Part No.: EOATG095



TOYOTA TOYOTA CRLLA
GEAR LEVER
EO Part No.: EOATG096



TOYOTA YOKE GU1100 TOYOTA
HLX HCE Y-SER LOCAL DIFF
EO. Part No.: EOATG097



TOYOTA YOKE TOYOTAOTA REARGU
1100 -SQUARE
EO Part No.: EOATG098



Axle, Transmission & Gear Box Parts



TOYOTA YOKE TOYOTAOTA HI ACE
HLS IMP DIFFW/OLOCK
EO Part No.: EOATG099



TOYOTA BRGEAR LEVER LOCK RING
FOR PQ154 (361964)
EO Part No.: EOATG0102



TOYOTA BRGEAR LEVER LOCK RING
(PQ107) 1700289
EO Part No.: EOATG0103



TOYOTA BRGEAR LEVER LOCK
RING FOR 6308 BRG
EO Part No.: EOATG0104



Axle Shafts



S.No.	VEHICLE	EO Part No.	O.E.M. Part No.	LENGTH	SPLINES	HOLES
1.	BEDFORD J4	EOAS39	6303952	37-3/16"	42	12
2.	BEDFORD J6	EOAS38	6327610	37-1/8"	42	12
3.	BEDFORD J6	EOAS63	6315559	37"	44	12
4.	DAIHATSU TAFT(LH)GT	EOAS26	42312 - 87606	695	30	5
5.	DAIHATSU TAFT(LH)GT	EOAS27	42311 - 87606	573	30	5
6.	DAIHATSU HILINE P	EOAS37	42312 - 87607	701	30	5
7.	DAIHATSU HILINE P	EOAS36	42311 - 87607	574	30	5
8.	FORD COURIER RH	EOAS14	-	-	-	-
9.	FORD COURIER LH	EOAS15	-	-	-	-
10.	HINO LOHAN	EOAS64	42311 - 3711	1110 mm	34	10
11.	HINO	EOAS65	42311 - 3280	1030 mm	34	10
12.	HINO	EOAS49	42311 - 3550	1020 mm	29	10
13.	HINO SUMO	EOAS50	42311 - 2760	1020 mm	29	10
14.	HINO	EOAS51	42311 - 3470	965 mm	31	10
15.	HINO LOHAN	EOAS66	42311 - 3720	950 mm	34	10
16.	HINO	EOAS53	42311 - 3330	1010 mm	31	10
17.	HINO	EOAS67	42311 - 3480	1090 mm	31	10
18.	HINO	EOAS68	42311 - 3260	1090 mm	29	10
19.	HINO	EOAS69	42311 - 3250	960 mm	29	10
20.	INYATI BAW LH & RH	EOAS25	-	715 mm	30	5+1+1
21.	INYATI DRAGON LH & RH	EOAS24	-	719 mm	30	5
22.	ISUZU KB 2 RH	EOAS08	-	721 mm	27	6+2
23.	ISUZU KB 2 LH	EOAS09	-	685 mm	27	6+2
24.	ISUZU NKR 66	EOAS58	89712-68930	780	20	8 (TAPER)
25.	LANDROVER	EOAS70	231265	21-1/16"	16	5
26.	LANDROVER	EOAS71	231266	29-1/8"	10	5
27.	LANDROVER 2	EOAS72	276319	34-13/16"	10	-
28.	LANDROVER 2	EOAS73	236318	26"	10	-
29.	LANDROVER 3	EOAS74	576768	32-29/32"	24	-
30.	LANDROVER 3	EOAS75	576767	25-3/4"	24	-
31.	MAZDA T 3500	EOAS76	WO 2526111	798 mm	40	10+2
32.	MITSUBISHI FUSO FIGHTER	EOAS33	12021-03600	940 mm	18	8
33.	MITSUBISHI FUSO FIGHTER	EOAS77	MB 880669	991 mm	18	8
34.	MITSUBISHI FUSO FIGHTER	EOAS78	MC 880669	1000 mm	18	8
35.	MITSUBISHI FUSO FIGHTER	EOAS34	MC 881670	1040 mm	18	8
36.	MITSUBISHI FUSO FIGHTER	EOAS79	MB 827736	1002 mm	21	10



Axle Shafts



S.No.	VEHICLE	EO Part No.	O.E.M. Part No.	LENGTH	SPLINES	HOLES
37.	MITSUBISHI L300 Deluxe	EOAS56	MB 860914	700	28	5
38.	MITSUBISHI L300 Cyclone	EOAS57	MB 860919	695	28	5
39.	MITSUBISHI FE 71	EOAS55	-	757	18	8 + 2
40.	MITSUBISHI Canter FE 111	EOAS80	MB 161301	770	18	6 + 2 + 2
41.	MITSUBISHI Canter PS 120	EOAS32	MB 308903	800	18	6 + 2 + 2
42.	MITSUBISHI Canter PS 100	EOAS81	MB 308901	770	18	6 + 2 + 2
43.	MITSUBISHI Canter PS 125 Turbo	EOAS82	-	836	18	8 + 2
44.	MITSUBISHI L200 (DOUBLE CABIN)	EOAS59	-	715	28	6
45.	NISSAN I TON RH	EOAS16	-	727 mm	27	6 + 2
46.	NISSAN I TON LH	EOAS17	-	695 mm	27	6 + 2
47.	SUZUKI ST 100	EOAS46	44210 - 77300	640	26	4
48.	SUZUKI FUTURA	EOAS31	44210 - 77500	682	25	4
49.	TOYOTA RINO	EOAS29	42311 - 36181	752	37	8 + 2 + 2
50.	TOYOTA Dinosorous	EOAS30	42311 - OW030	778	37	8 + 2 + 2
51.	TOYOTA KIJANG 3K	EOAS83	42311 - 21014	645	23	4 + 2
52.	TOYOTA KIJANG 4K	EOAS84	42311 - 22100	680	23	4 + 2
53.	TOYOTA KIJANG 7K	EOAS28	42311 - 0B010	705	23	4 + 2
54.	TOYOTA Landcruiser L-440	EOAS85	-	440	30X22	-
55.	TOYOTA Landcruiser	EOAS86	-	740	-	L740
56.	TOYOTA Avanza RH-Long	EOAS60	42301-B2010	775	25	4 + 2
57.	TOYOTA Avanza LH-Short	EOAS61	42302-B2010	680	25	4 + 2
58.	TOYOTA-Hiace Local Diff. LH	EOAS01	-	692 mm	27	5 + 1
59.	TOYOTA-Hiace Local Diff. RH	EOAS02	-	727 mm	27	5 + 1
60.	TOYOTA-Hiace Local Diff. L & R	EOAS03	-	700 mm	30	5 + 1 + 1
61.	TOYOTA VENTURE RH	EOAS06	-	695 mm	27	4 + 2
62.	TOYOTA VENTURE LH	EOAS07	-	667 mm	27	4 + 2
63.	TOYOTA HI-LUX RH	EOAS10	-	658 mm	27	5 + 1
64.	TOYOTA HI-LUX LH	EOAS11	-	656 mm	27	5 + 1
65.	TOYOTA HI-LUX RH	EOAS12	-	695 mm	25	5 + 1
66.	TOYOTA HI-LUX LH	EOAS13	-	666 mm	25	5 + 1
67.	TOYOTA QUANTOM	EOAS21	-	823 mm	30	6 + 1
68.	TOYOTA FZJ75 HZJ LH	EOAS19	-	-	-	-
69.	TOYOTA FZJ75 HZJ RH	EOAS20	-	-	-	-



Syncronizer Rings



S.No.	VEHICLE	EO Part No.	Fitment / Model
1.	FORD	EOATG004	SYN RING FORD COUR MAZ B-SER (39TEETH)
2.	ISUZU	EOATG015	SYN RING ISU WFR KB TFR (30 TEETH)
3.	ISUZU	EOATG016	SYN RING ISU WFR RELAY TFR (33 TEETH)
4.	ISUZU	EOATG017	SYN RING ISU WFR KB TFR (36 TEETH) LRG
5.	ISUZU	EOATG018	SYN RING ISU KB280 2.8 (45TEETH)
6.	MAZDA	EOATG025	SYN RING MAZ T3500 (39 TEETH)
7.	MAZDA	EOATG026	SYN RING MAZ T3500 (42 TEETH)
8.	NISSAN	EOATG027	SYN RING NISS A14 4SPD (12 TEE
9.	NISSAN	EOATG028	SYN RING NISS L18 5-SPD (30TEE
10.	NISSAN	EOATG029	SYN RING NISS A14 5 SPD (6 TEETH)
11.	NISSAN	EOATG030	SYN RING NISS 1-TONN (30 TEETH)
12.	NISSAN	EOATG031	SYN RING NISS A14 5 SPEED (18 TEETH)
13.	NISSAN	EOATG032	SYN RING NISS SENT 5SPEED 1ST/2/3/4 (18TEETH)
14.	NISSAN	EOATG033	SYN RING NISS SENT 5SPEED 5TH GEAR
15.	NISSAN	EOATG034	SYN RING NISS 1-TONNER (36TEETH)
16.	NISSAN	EOATG035	SYN RING NISS CABSTAR (33TEETH)
17.	TOYOTA	EOATG047	SYN RING TOYOTA Y-SER 5 SPEED SML
18.	TOYOTA	EOATG048	SYN RING TOYOTA HCE HLX 12R 18R (33 TEETH)
19.	TOYOTA	EOATG049	SYN RING TOYOTA CRLLA RWD 1.3 1.6 1.8 (27TEETH)
20.	TOYOTA	EOATG050	SYN RING TOYOTA Y-SERIES LARGE (39 TEETH)
21.	TOYOTA	EOATG051	SYNCRONIZER RINGS
22.	TOYOTA	EOATG052	SYN RING TOYOTA CRLLA FWD 5TH GEAR(12TEETH)
23.	TOYOTA	EOATG053	SYN RING
24.	TOYOTA	EOATG054	SYN RING TOYOTA DYNA TRUCK ALL (45TEETH)
25.	TOYOTA	EOATG055	SYNCRONIZER RINGS
26.	TOYOTA	EOATG056	SYNCRONIZER RINGS
27.	VOLKSWAGON	EOATG100	SYN RING VW KOM 1.8 1.9 2.0 2.1 2.5 (24TEETH
28.	VOLKSWAGON	EOATG101	SYN RING VW GEAR LEVERF JETT 1.3 1.6 1.8 (33TEETH)



Bolts & Nuts



FIAT WHEEL STUD
FIAT UNO ALL (M19X43)
EO Part No.: EOBN001



FORD NUT FRONT, FORD
EO. Part No.: EOBN002



FORD WHEEL NUT FORD RANGER
(BLACK COLOUR)
EO Part No.: EOBN003



FORD BOLT FLYWHEEL
EO Part No.: EOBN004



FORD WHEEL BOLT FORD
RANGER SHORT LENGTH
EO Part No.: EOBN005



FORD WHEEL BOLT
BOLT RANGER LONG
EO Part No.: EOBN006



FORD BOLT (PROP)JOINT FORD
EO Part No.: EOBN007



FORD WHEEL BOLT AND NUT FORD
T12 TRANSIT(SHORT LENTH)
EO Part No.: EOBN008



FORD WHEEL BOLT AND NUT FORD
T12 TRANSIT(LONG LENTH)
EO Part No.: EOBN009



FORD NUT FORD RANGER
(CHROME PLATED)
EO Part No.: EOBN010



FORD / MAZDA WHEEL STUD + NUT
FORD COUR MAZ MRTH LH
EO Part No.: EOBN011



FORD / MAZDA STUD/NUT MAZDA,
FORD, COURIER RH
EO Part No.: EOBN012



Bolts & Nuts



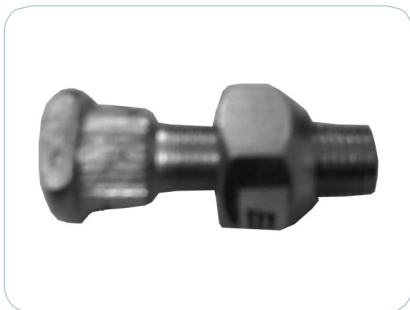
ISUZU CALIPER PIN, ISUZU 14mm
EO Part No.: EOBNO13



ISUZU CALIPER BOLT, ISUZU
EO. Part No.: EOBNO14



ISUZU CALIPER BOLT ISU KB
TFR SERIES
EO Part No.: EOBNO15



ISUZU WHEEL STUD + NUT ISUZU
WFR RELAY KB
EO Part No.: EOBNO16



MAZDA WHEEL STUB AXLE NUT
MAZ 323 RH
EO Part No.: EOBNO17



MAZDA NUT, WHEEL LH
EO Part No.: EOBNO18



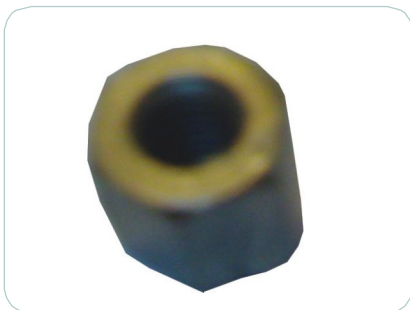
NISSAN CALIPER PIN NISSAN
E20 L18 (W/O RUBBER)
EO Part No.: EOBNO19



NISSAN CALIPER PIN NISS
E20 1800 WITH RUBBER
EO Part No.: EOBNO20



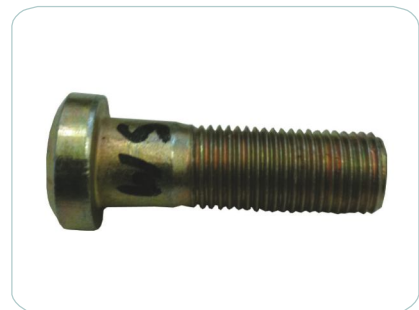
NISSAN MANIFOLD STUD NISS
E20 A14 L18
EO Part No.: EOBNO21



NISSAN MANIFOLD NUT NISS
1400 1800 E20
EO Part No.: EOBNO22



NISSAN WHEEL NUT
NISSAN PLAIN 1.25
EO Part No.: EOBNO23



NISSAN WHEEL STUD
NISSAN LDV 1400
EO Part No.: EOBNO24



Bolts & Nuts



NISSAN WHEEL NUT NISSAN
CHROME (1.25)
EO Part No.: EOBN025



NISSAN BOLT AND NUT E20,
W/O CUT (FRONT)
EO. Part No.: EOBN026



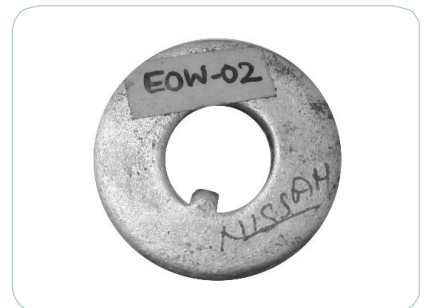
NISSAN BOLT AND NUT E20,
LONG (REAR)
EO Part No.: EOBN027



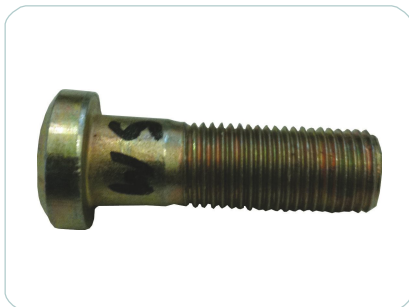
NISSAN WHEEL CASTLE LOCK
WASHER NISS E20 + LDV
EO Part No.: EOBN028



NISSAN WHEEL STUB AXLE NUT
NISS E20 + LDV FRT
EO Part No.: EOBN029



NISSAN AXLE WASHER, E20 (FLAT)
EO Part No.: EOBN030



NISSAN WHEEL STUD NISS
1400 LDV A14
EO Part No.: EOBN031



TOYOTA CENTRE BOLT, 5/16x3.5"
EO Part No.: EOBN032



TOYOTA CENTRE BOLT, 3/8x3.5"
EO Part No.: EOBN033



TOYOTA CALIPER BOLT, SHORT 3Y
EO Part No.: EOBN034



TOYOTA CALIPER BOLT, LONG 3Y
EO Part No.: EOBN035



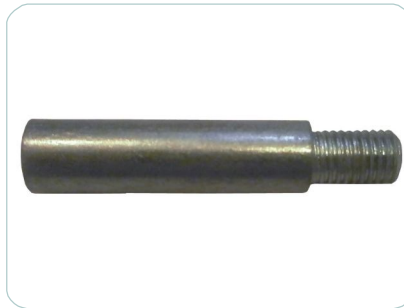
TOYOTA CALIPER PIN TOY
QUANTUM UPP
EO Part No.: EOBN036



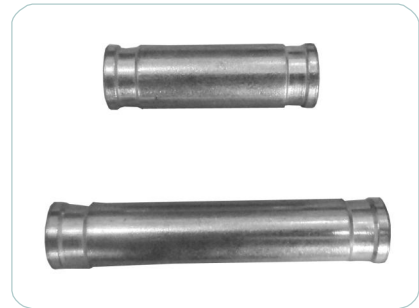
Bolts & Nuts



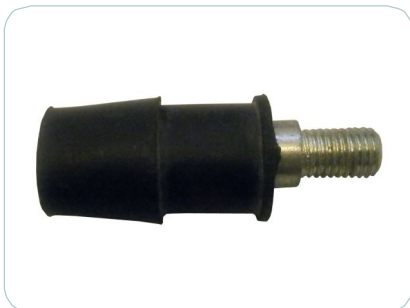
TOYOTA CLUTCH SLAVE PIN
ROD TOY
EO Part No.: EOBN039



TOYOTA CALIPER PIN TOYOTA
Y-SER (ALLENK)
EO Part No.: EOBN040



TOYOTA CALIPER SLEEVE
TOY Y-SER (SET)
EO Part No.: EOBN041



TOYOTA CALIPER PIN + RUBBER
TOY Y-SER
EO Part No.: EOBN042



TOYOTA CALIPER PIN + RUBBER
TOY Y-SER
EO Part No.: EOBN043



TOYOTA P/ SHAFT BOLT W/NUT &
WASHER ZOLA
EO Part No.: EOBN044



TOYOTA BOLT ALT + NUT
TOYOTA HCE HLX
EO Part No.: EOBN045



TOYOTA MANIFOLD NUT TOY HCE
HLX (LOCK TYPE)
EO Part No.: EOBN046



TOYOTA MANIFOLD STUD + NUT
TOY HCE HL
EO Part No.: EOBN047



TOYOTA MANIFOLD STUD KIT
TOY L/CRUIS + HLX 4X4
EO Part No.: EOBN048



TOYOTA AXLE STUD KIT TOY DA116
EO Part No.: EOBN049



TOYOTA WHEEL STUD + NUT
TOY HCE HLX (41MM)
EO. Part No.: EOBN050



Bolts & Nuts



TOYOTA BOLT AND NUT
TOYOTA LONG
EO Part No.: EOBNO51



TOYOTA WHEEL STUD + NUT
TOY HLX(66 mm Long)
EO Part No.: EOBNO52



TOYOTA CHROME NUT, 1.5
SMALL CLOSED
EO Part No.: EOBNO53



TOYOTA NUT 1.5, OPEN ORD
EO Part No.: EOBNO54



TOYOTA WHEEL CASTLE LOCK
WASHER TOYOTA HCE HLX
EO Part No.: EOBNO55



TOYOTA WHEEL STUB AXLE NUT
TOY HCE HLX 18R 3Y
EO Part No.: EOBNO56



TOYOTA WHEEL AXLE WASHER
TOYOTA HCE HLX FRONT FLAT LIP
EO Part No.: EOBNO57



TOYOTA WHEEL STUB AXLE NUT KIT
TOYOTA 4X4 L/CRUIS
EO Part No.: EOBNO58



TOYOTA WHEEL STUD + NUT
TOYOTA L/CRUIS F
EO Part No.: EOBNO59



TOYOTA WHEEL STUB AXLE NUT
TOYOTA 4X4 L/CRUIS
EO Part No.: EOBNO60



TOYOTA WHEEL AXLE WASHER
TOYOTA 4X4 L/CRUIS (LOCK WASH)
EO Part No.: EOBNO61



TOYOTA WHEEL STUB
AXLE KIT VENTURE
EO. Part No.: EOBNO62



Bolts & Nuts



TOYOTA WHEEL NUT TOY CHR
(1.5) (L34MM)
EO Part No.: EOBN063



TOYOTA WHEEL NUT TOY CHR
(1.5) (L34MM)
EO Part No.: EOBN064



VOLKSWAGON WHEEL STUD 19mm
GOLF JETT BMW MERC OPEL
EO Part No.: EOBN065



VOLKSWAGON WHEEL STUD 51MM
GOLF JETT BMW MERC OPEL
EO Part No.: EOBN066



VOLKSWAGON WHEEL BOLT,
VW(B) 40x12x1.5
EO Part No.: EOBN067



VOLKSWAGON WHEEL STUD
VW KOM ALL (L60X14)
EO Part No.: EOBN068



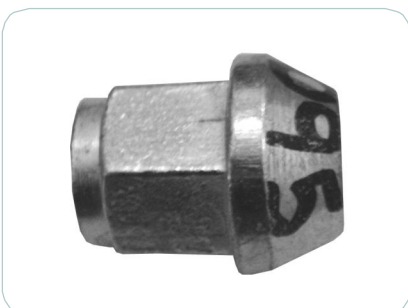
VOLKSWAGON WHEEL STUD
EO Part No.: EOBN069



VOLKSWAGON BOLT SHORT FRONT,
VW MICROBUS
EO Part No.: EOBN070



VOLKSWAGON WHEEL NUT
VW MICROBUS (SMALL)
EO Part No.: EOBN071



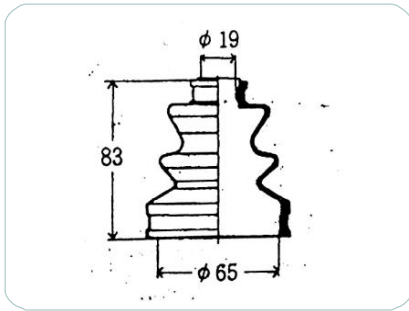
VOLKSWAGON WHEEL NUT
VW MICROBUS LARGE
EO Part No.: EOBN072



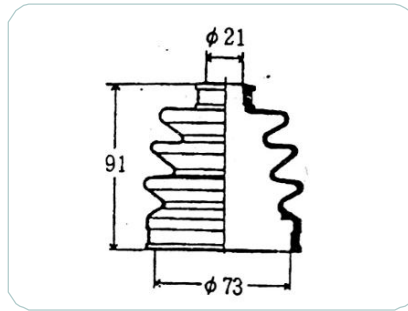
VOLKSWAGON WHEEL BOLT & NUT
EO Part No.: EOBN073



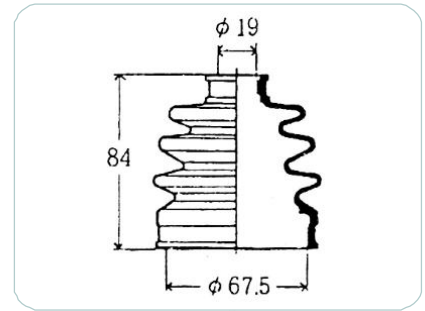
Drive Shaft Boots



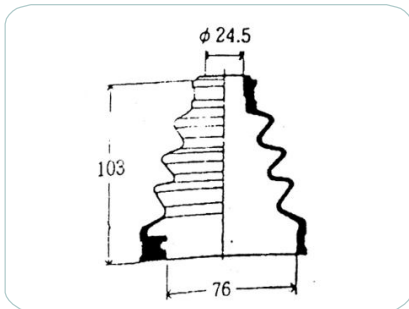
EO2020 **DAIHATSU CUORE**
INNER **OEM No.:** 04438-87502-00
L55



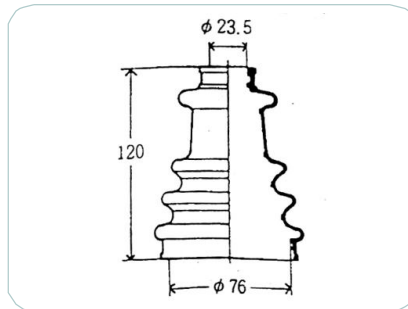
EO2013 **DAIHATSU CHARADE**
OUTER **OEM. No.:** 044388770900
G100S



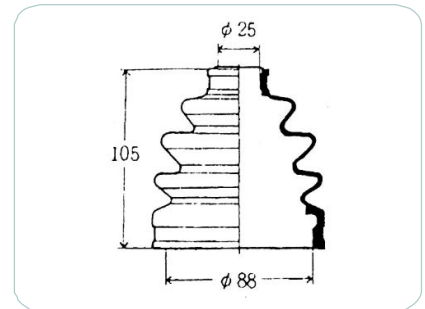
EO2047 **DAIHATSU CHARADE**
OUTER **OEM No.:** 04438-877-000
G11, G26, G30, G30V



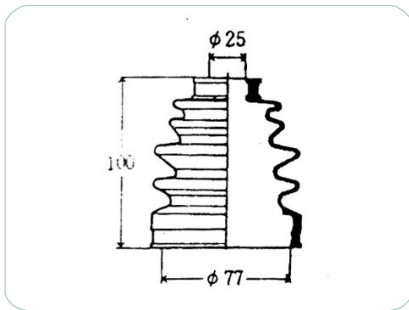
EO2040 **DATSUN TRUCK**
INNER **OEM No.:** 39741-41W25
DY270F, KDG720F, UDG720F



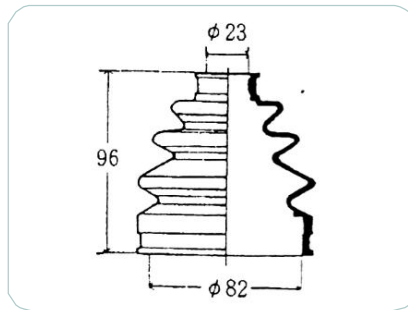
EO2039 **DATSUN TRUCK**
OUTER **OEM. No.:** 39241-41W25
PGY720F, DY720F



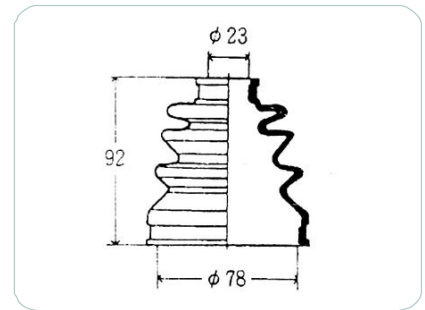
EO2060 **DATSUN TRUCK**
OUTER **OEM No.:** 39241-50W25
KDG720F, UDG720F, AGY720F



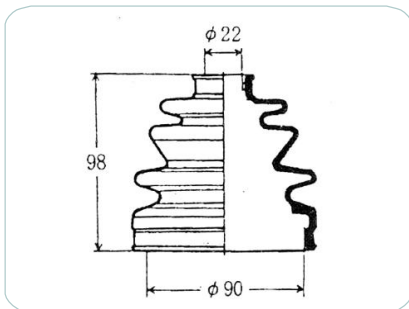
EO2032 **HONDA ACCORD**
OUTER **OEM No.:** 44333-SA5-300
SY100, SY110, SZ100, SZ120



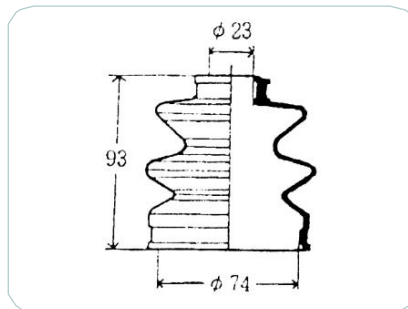
EO2093 **HONDA ACCORD**
OUTER **OEM No.:** 44333-SB2-981
CA3-100, 106, 120, 130, CA5-100, 110



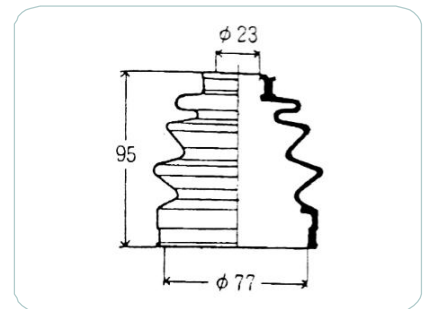
EO2085 **HONDA ACCORD**
INNER **OEM No.:** 44315-SB2-981
CA1-100, 120, 130, CA3-100, 120, 130



EO2114 **HONDA ACCORD**
OUTER **OEM No.:** 44333-SM4-003
CB1-100, 110, CB1-120, 130, CB2-100



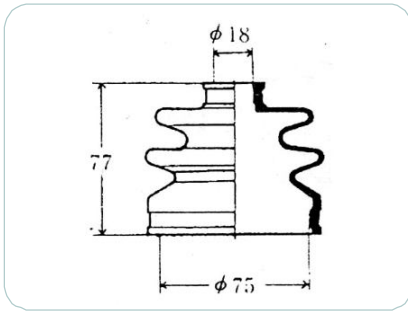
EO2092 **HONDA BALLADE**
INNER **OEM No.:** 44315-SB2-962
AK100, AK110, AK120



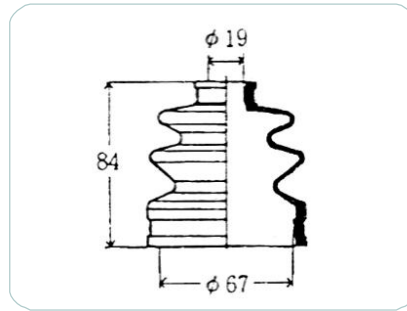
EO2090 **HONDA BALLADE**
OUTER **OEM No.:** 44333-SB2-962
AJ100, 110, 120, AK100, 110, 120



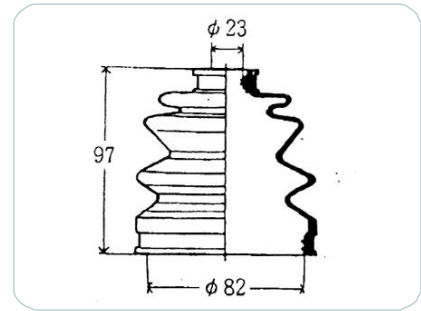
Drive Shaft Boots



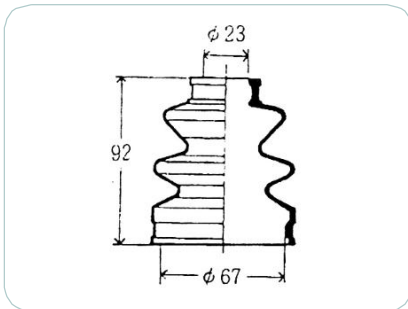
EO2131 HONDA CITY
INNER **OEM No.:** 44315-SA7-981
AA100, 120, 140, 150, AA500



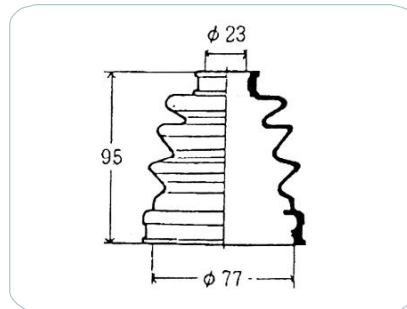
EO2046 HONDA CIVIC
INNER **OEM No.:** 4431-SA7-003
AG100, 110, 120, 130, EF1-100, 110



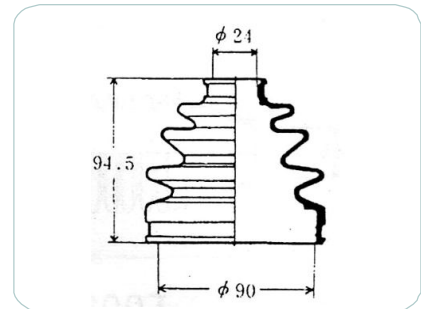
EO2094 HONDA CIVIC
OUTER **OEM No.:** 44333-SB2-981
EF4-100, 110, EF5-100, 110



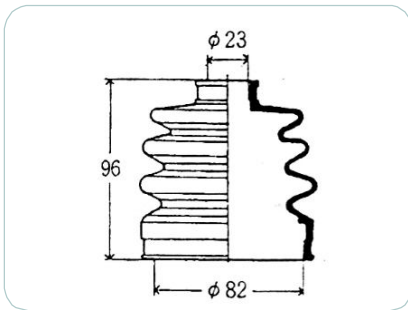
EO2091 HONDA CIVIC
INNER **OEM No.:** 44315-SB2-004
AG100, 120, 130, EF1-100, 100, EF1-320



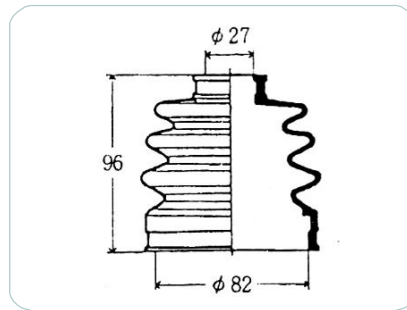
EO2095 HONDA CIVIC
INNER **OEM No.:** 44315-SD9-003
EF4-100, 110, EF5-100, 110



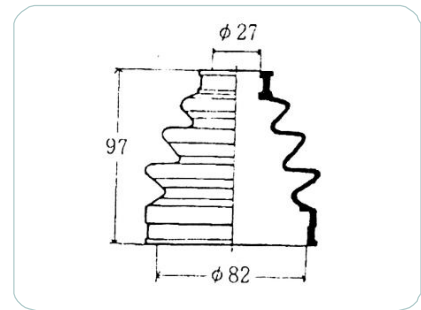
EO2134 HONDA LEGEND
OUTER **OEM No.:** 44323-SD4900
KA3-100, 101, 110, 120, KA4-100



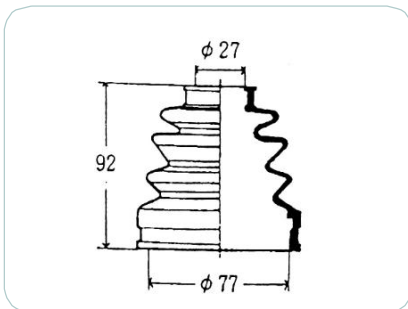
EO2053 HONDA PRELUDE
OUTER **OEM No.:** 44323-SB0-310
AB100, 110, 120, AB125, 129



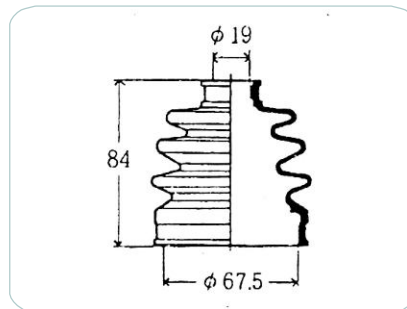
EO2054 HONDA PRELUDE
OUTER **OEM No.:** 44424-SB0-310
AB100, 110, 120, AB125, 129



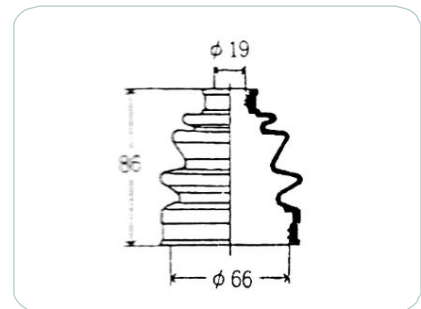
EO2096 HONDA QUINT INTEGRA
OUTER **OEM No.:** 44333-SD2-003
DA2-100, 110, AV100, 110, 120, 130



EO2097 HONDA QUINT INTEGRA
OUTER **OEM No.:** 44315-SD2-003
DA2-100, 110, AV100, 110, 120, 130



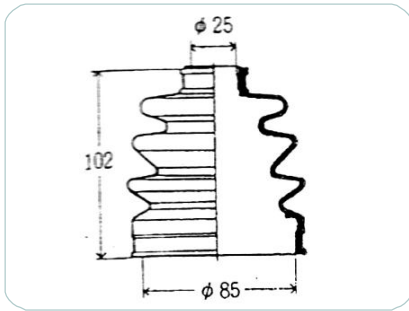
EO2047 HONDA TN CITY
OUTER **OEM No.:** 44333-SC2-003
TC100, TC105, TC110



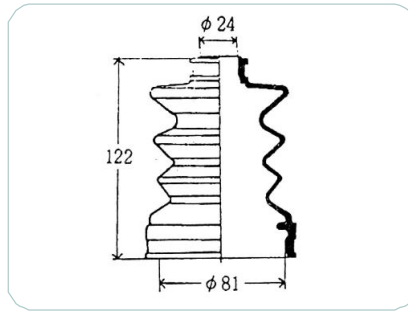
EO2081 HONDA TODAY
OUTER **OEM No.:** 44333-SB2-761
JA1-100, JW2-100



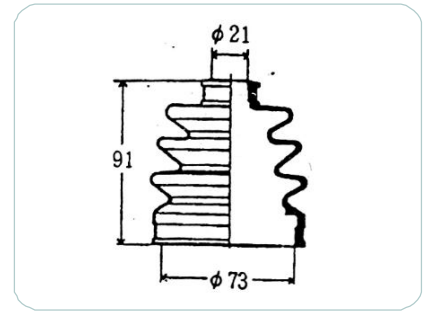
Drive Shaft Boots



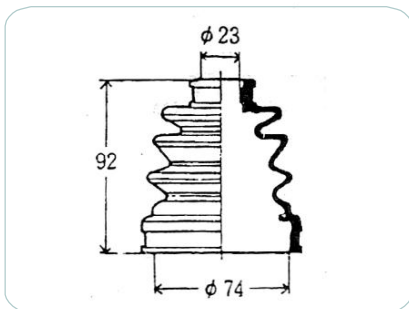
EO2041 **ISUZU ASKA**
 OUTER **OEM No.:** 39241-17R25
 JJ110, JJ120, JJ510



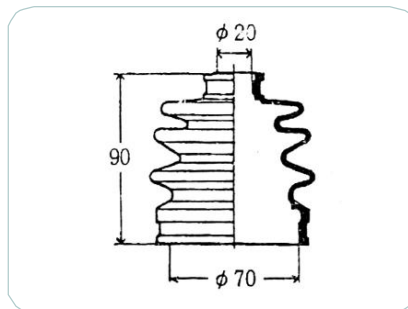
EO2065 **ISUZU ASKA**
 INNER **OEM No.:** 8-94124-211-0
 JJ110, JJ120, JJ510



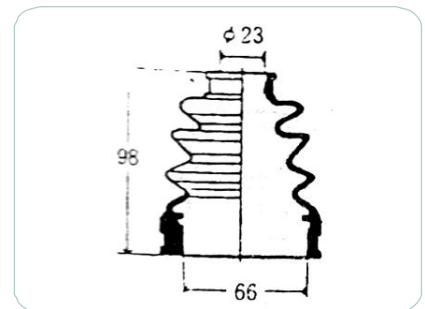
EO2013 **ISUZU FF GEMINI**
 OUTER **OEM No.:** 8-94473-226-0
 JT150, JT600



EO2079 **ISUZU FF GEMINI**
 INNER **OEM No.:** 8-94449-740-0
 JT150, JT190



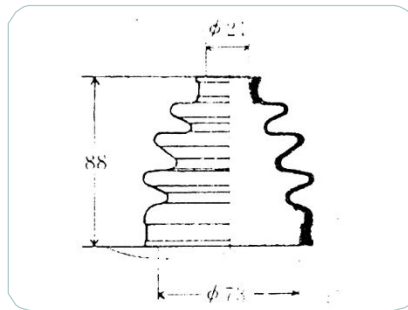
EO2066 **ISUZU FF GEMINI**
 OUTER **OEM No.:** 8-94124-211-0
 JT151F



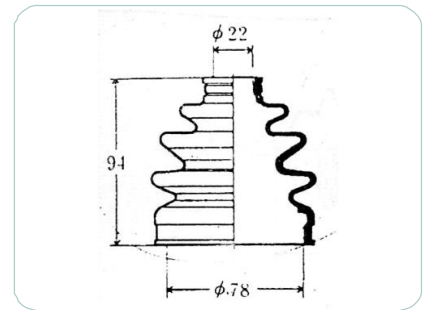
EO2068 **ISUZU FF GEMINI**
 INNER **OEM No.:** 8-98381-514-0
 JT191F



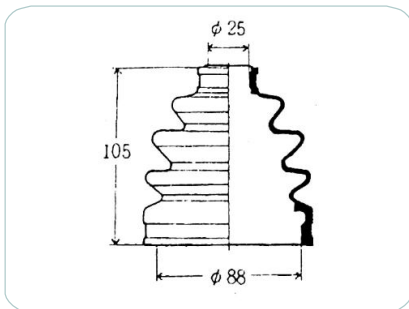
EO2154 **ISUZU FF GEMINI**
 INNER **OEM No.:** 8-94381-515-0
 JT1911S



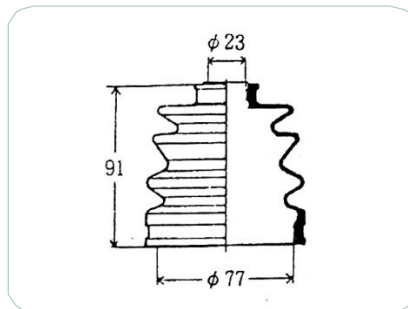
EO2128 **ISUZU FF GEMINI**
 OUTER **OEM No.:** 8-94387-664-0
 JT151F



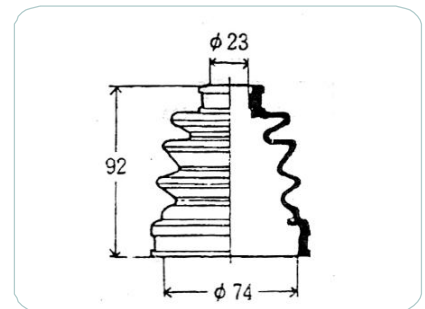
EO2125 **ISUZU FF GEMINI**
 OUTER **OEM No.:** 8-94381-519-0
 JT191F, FT191S



EO2060 **ISUZU MU**
 OUTER **OEM No.:** 8-94313-105-0
 UCS17



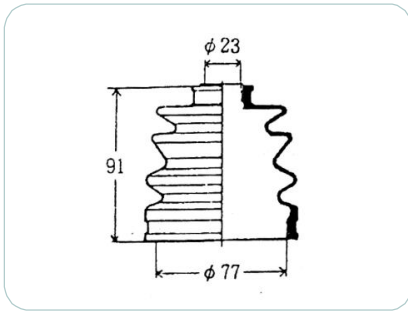
EO2023 **ISUZU RODEO**
 OUTER **OEM No.:** 8-94258-285-0
 KBD42, KBD47, TFS52



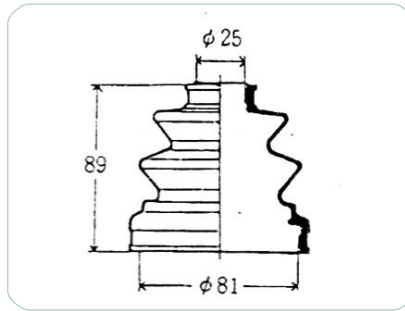
EO2079 **MAZDA BONGO**
 INNER **OEM No.:** M020-22-540
 SE88M, SS8M, SSE8R



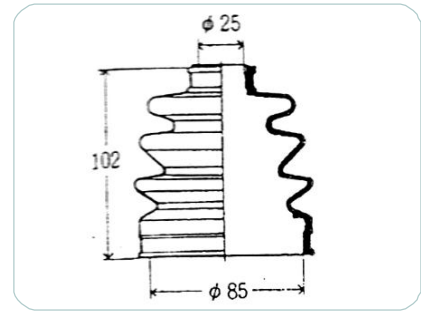
Drive Shaft Boots



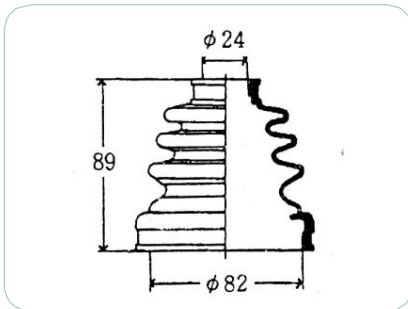
EO2023 MAZDA CAPELLA
OUTER OEM No.: G001-22-530A
 GC6P, GD6P, DV6V, GC8P, GD8P



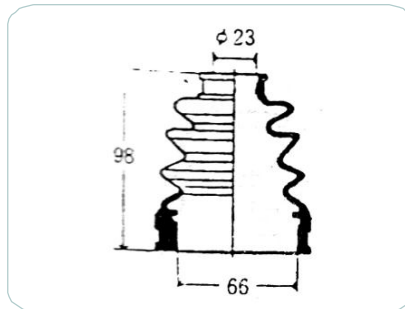
EO2042 MAZDA CAPELLA
INNER OEM No.: G002-22-540
 GC8P, GCEP, GCFP



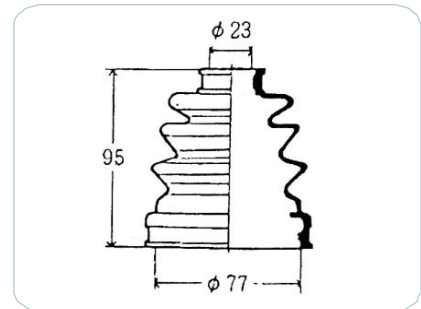
EO2041 MAZDA CAPELLA
OUTER OEM No.: G043-22-530
 GD6P, GD8P, GD8S, GD8A, GD8B



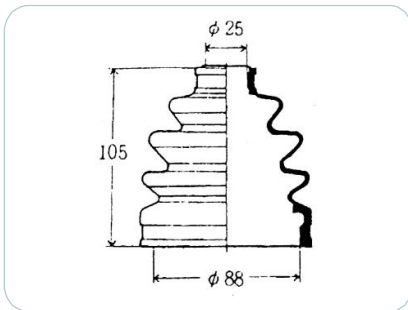
EO2070 MAZDA CAPELLA
INNER OEM No.: G033-22-540
 GD6P, GD8P, GD8S, GD8A, GD8B, GV8W



EO2068 MAZDA CAPELLA
INNER OEM No.: G023-22-540
 GV6V, GD8P, GD8S, GV8W, GDEP, GDES



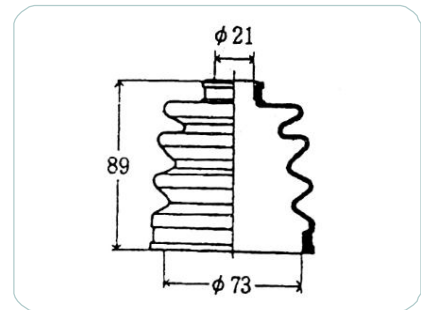
EO2095 MAZDA CAPELLA
INNER OEM No.: G568-22-540
 CG2PP, CG2SP



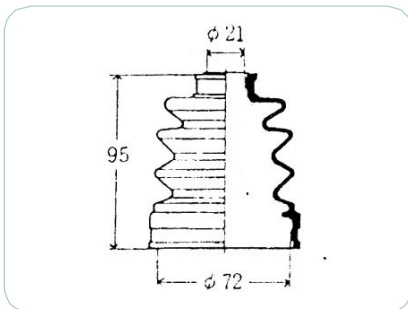
EO2060 MAZDA CLEF
OUTER OEM No.: G063-22-530
 GE5PA



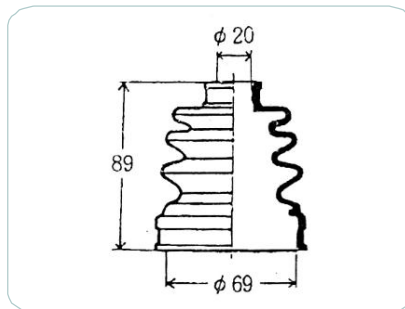
EO2154 MAZDA EUNOS PRESSO
INNER OEM No.: F015-22-540
 EC8SE



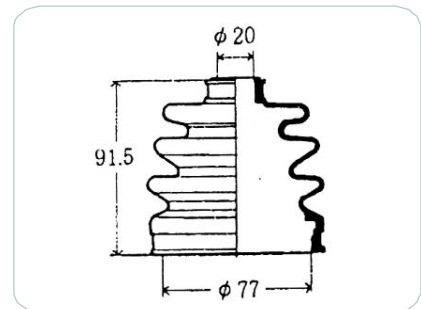
EO2009 MAZDA FAMILA
OUTER OEM No.: F024-22-530
 BG5P, BG5S, BG6P, BG6S



EO2048 MAZDA FAMILA
INNER OEM No.: F003-22-540B
 BF5V, BF5W, BFMP, BF7P, BF7V



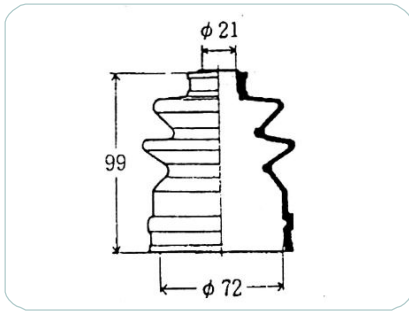
EO2067 MAZDA FAMILA
INNER OEM No.: F006-22-540B
 BF3P, BF3V, BM3W, BF5R, BFSR



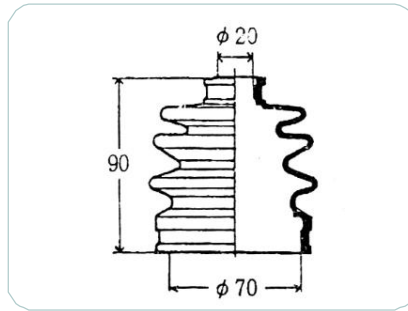
EO2059 MAZDA FAMILA
OUTER OEM No.: 1N01-22-530
 BVY10, BVSY10



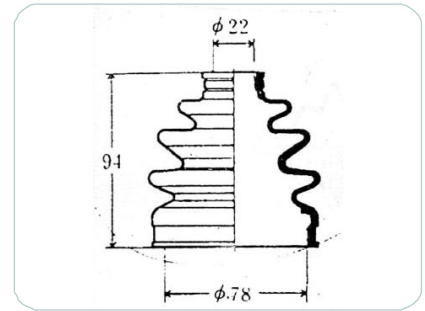
Drive Shaft Boots



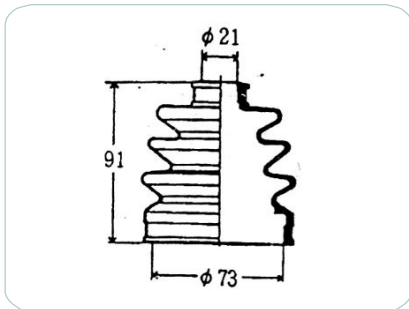
EO2058 **MAZDA FAMILA**
INNER **OEM No.:** 1N02-22-540
BY10



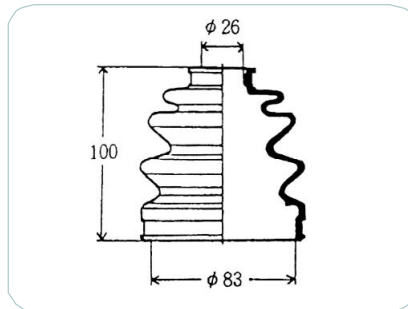
EO2066 **MAZDA FAMILA**
OUTER **OEM No.:** F006-22-530A
BF3P, BG3P, BG3S, BW3W, BF5R, BFSR



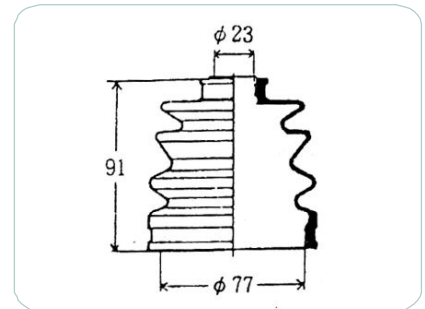
EO2125 **MAZDA FAMILA**
OUTER **OEM No.:** F037-22-530
BHA8P, BHA8S



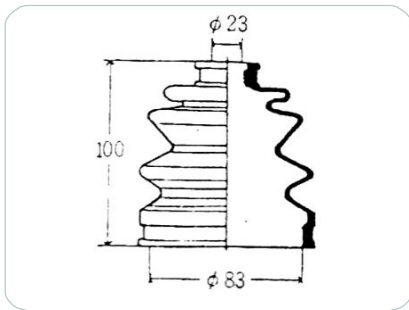
EO2013 **MAZDA LAZER**
OUTER **OEM No.:** F001-22-530
BE3PF, BFTPF, BF5FP, BFSPP



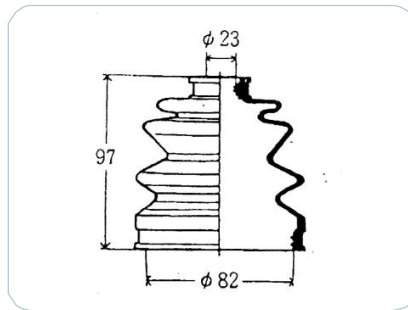
EO2098 **MITSUBISHI DELICA**
OUTER **OEM No.:** MB526275
P23V, P23W, P24W



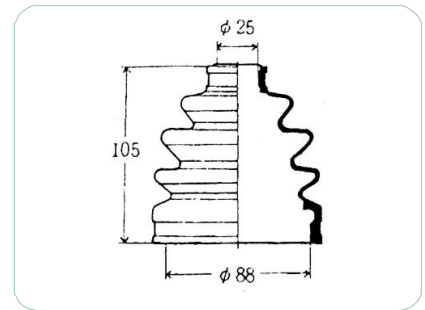
EO2023 **MITSUBISHI ETERNA**
OUTER **OEM No.:** MB297370
E12A, E13A, E14A, E15A



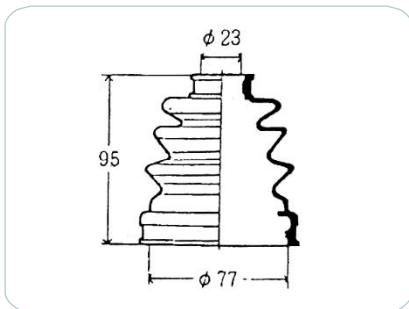
EO2082 **MITSUBISHI GALANT**
OUTER **OEM No.:** MB526828
E12A, E15A, E15AK



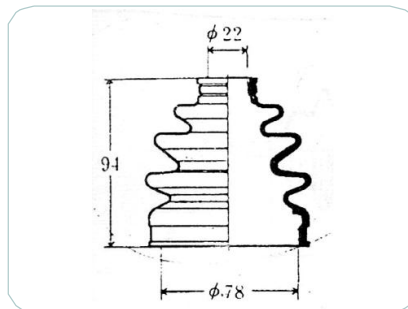
EO2094 **MITSUBISHI GALANT**
OUTER **OEM No.:** MB297499
E12A, E15A, E15AK



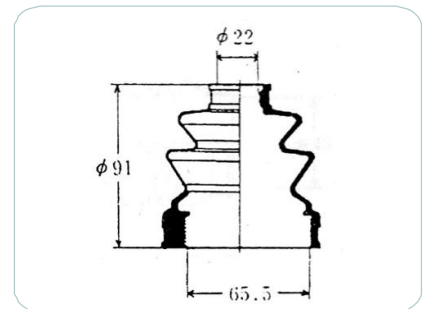
EO2060 **MITSUBISHI GALANT**
OUTER **OEM No.:** MB526400
E17A



EO2095 **MITSUBISHI GALANT**
INNER **OEM No.:** MB297496
E12A, E15A, E15AK



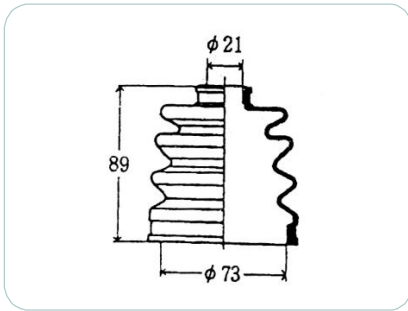
EO2125 **MITSUBISHI GALANT**
OUTER **OEM No.:** MB620053
E14A, E15A



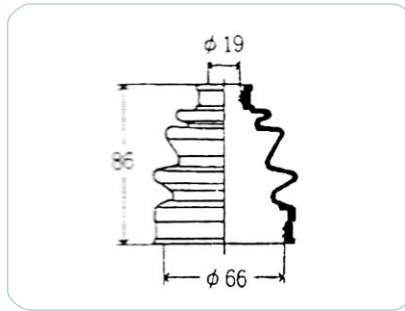
EO2130 **MITSUBISHI LANCER**
INNER **OEM No.:** MB526894
C630



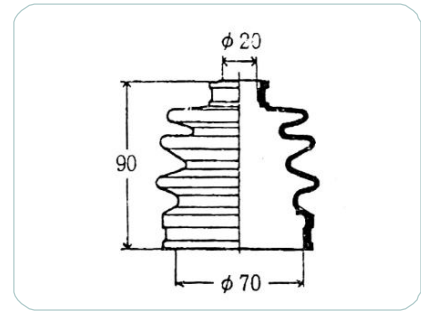
Drive Shaft Boots



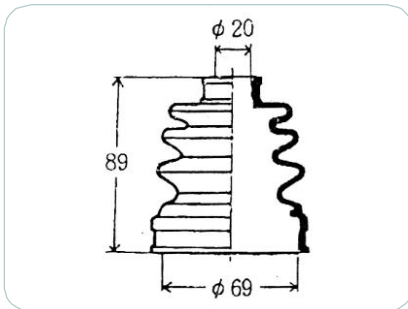
EO2009 MITSUBISHI LANCER FIORE
 OUTER **OEM No.:** MB176162
 A155A, A156A



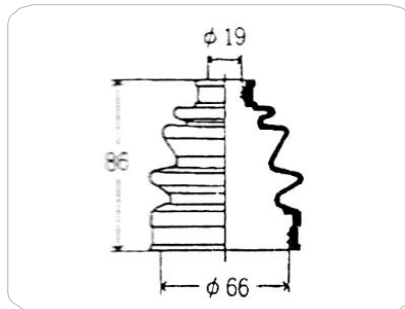
EO2080 MITSUBISHI LANCER FIORE
 OUTER **OEM No.:** MB297337
 C11A, C12A, C18A, C14A



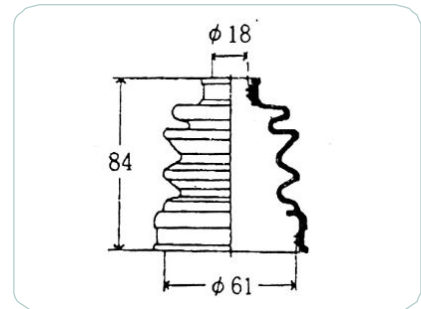
EO2066 MITSUBISHI MINICA
 OUTER **OEM No.:** MB886698
 H22A, H27A, H31A



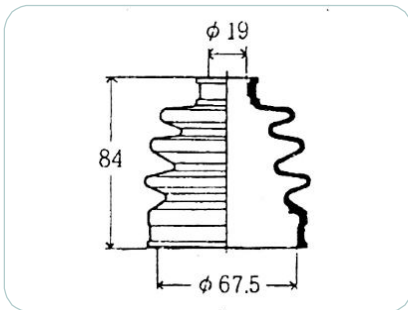
EO2067 MITSUBISHI MINICA
 INNER **OEM No.:** MB886697
 H22A, H27A, H31A



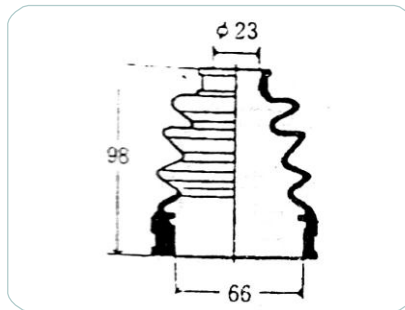
EO2081 MITSUBISHI MINICA
 OUTER **OEM No.:** MB526005
 H14A, H15A



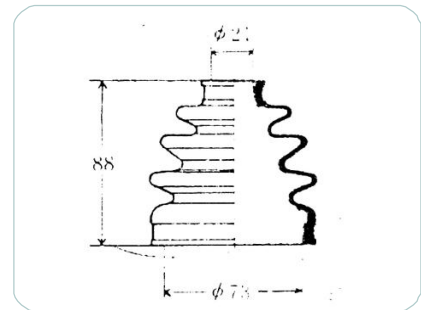
EO2069 MITSUBISHI Minica, Econo
 INNER **OEM No.:** MB620543
 H21A, H11V, H14A, H22A, H27A, H22V



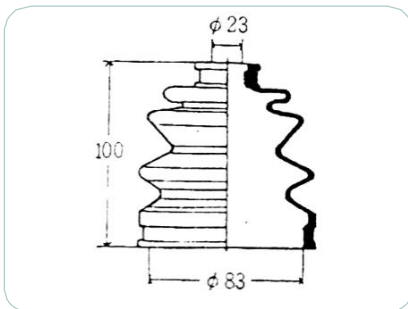
EO2047 MITSUBISHI MINICAB
 OUTER **OEM No.:** MB297573
 L015G, L015GV, U12T, U12V



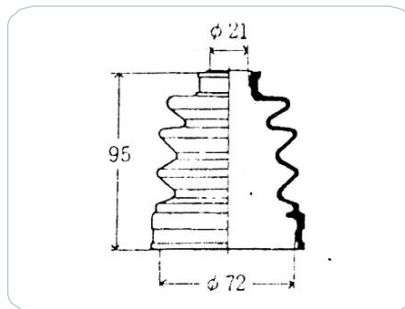
EO2068 MITSUBISHI MIRAGE
 INNER **OEM No.:** MR196877
 CC2AM, C13A, C73A, C83A, CA4AM



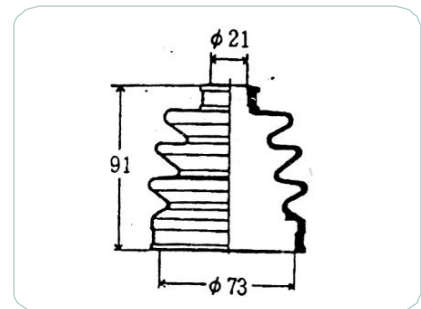
EO2128 MITSUBISHI MIRAGE
 OUTER **OEM No.:** MB526852
 C11V, C51A, C61A, C12A, C12V, C12W



EO2082 MITSUBISHI NEW INTEGRA
 OUTER **OEM No.:** 44018-SR3951
 DB9-100, 110, 120, DB7-100



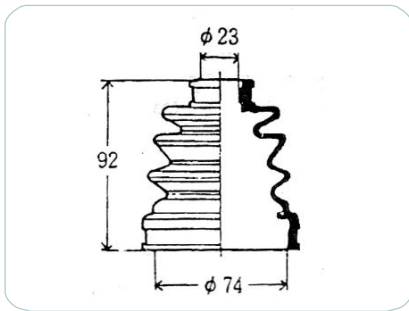
EO2048 MITSUBISHI Tredia, Cordeia
 INNER **OEM No.:** MB176861
 A212A, A213A, A213G, A215G



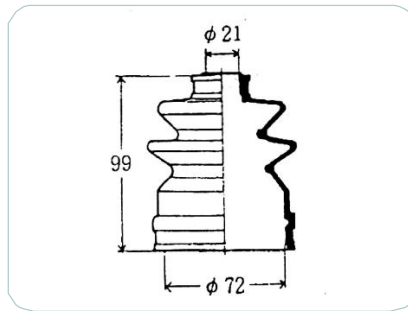
EO2013 MITSUBISHI Tredia, Cordeia
 OUTER **OEM No.:** MB297351
 A212A, A213A, A215A



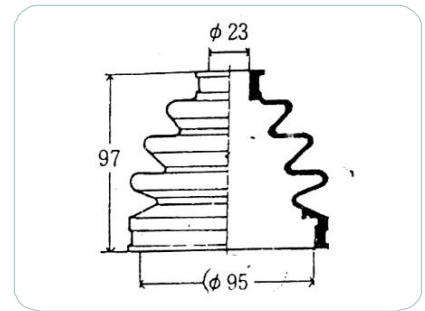
Drive Shaft Boots



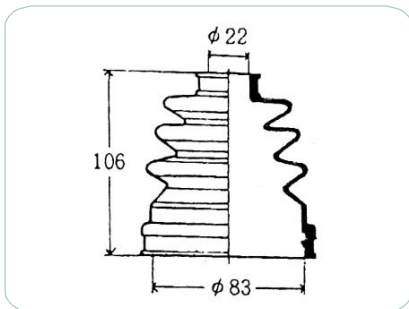
EO2079 MITSUBISHI Tredia, Cordeia
INNER **OEM No.:** MB176871
A212A, A213A, A215A



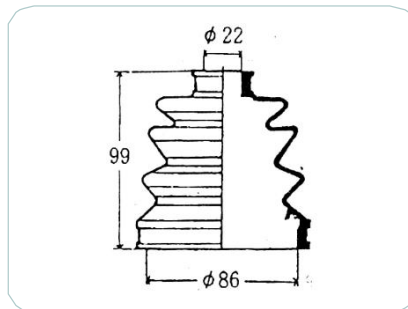
EO2058 NISSAN BLUEBIRD
INNER **OEM No.:** 39741-02A89
BVCNRFU13



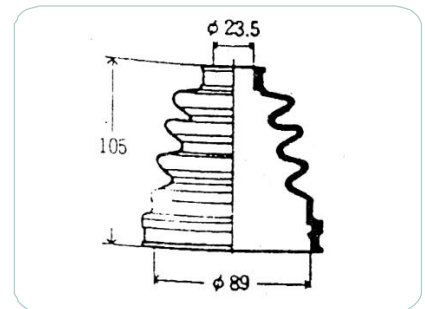
EO2063 NISSAN BLUEBIRD
OUTER **OEM No.:** 39241-10E25
FU11, KFU11, WU11, RU12, KRU12



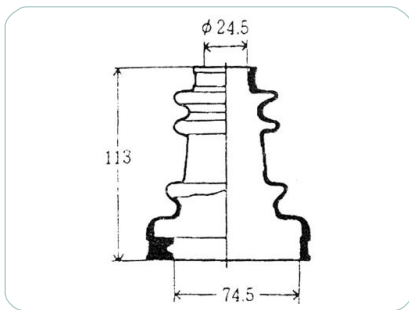
EO2062 NISSAN BLUEBIRD
INNER **OEM No.:** 39741-01E25
RU11, MU12, KMU12, RNU12



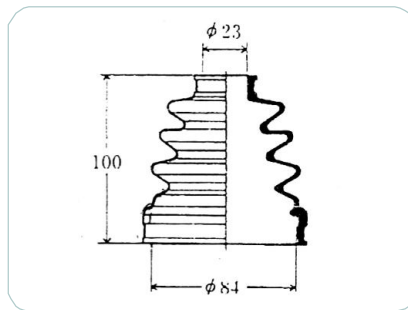
EO2061 NISSAN BLUEBIRD
OUTER **OEM No.:** 39241-01E25
U11, KU11, MNU12, KMNU12



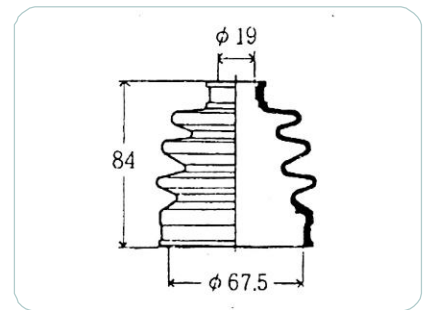
EO2064 NISSAN BLUEBIRD
INNER **OEM No.:** 39741-10E25
WU11, RU13, YU11, KYU11, EU11



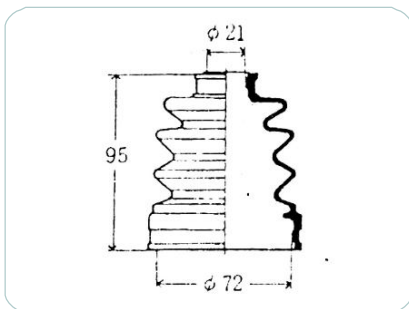
EO2109 NISSAN BLUEBIRD
INNER **OEM No.:** 39741-04F25
MNU12, RNU12, KRNU12



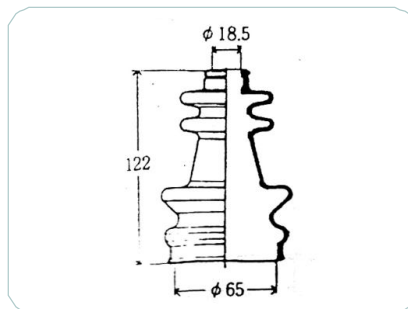
EO2126 NISSAN BLUEBIRD
INNER **OEM No.:** 39741-55E26
MNU12, RU12, RNU12, EU12



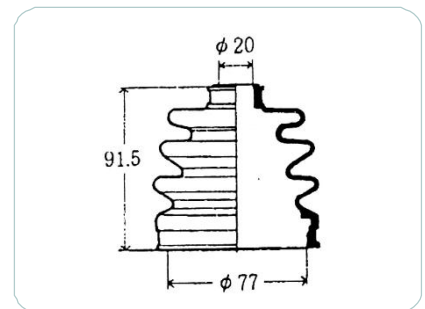
EO2047 NISSAN MARCH
OUTER **OEM No.:** 39241-01M29
K10



EO2048 NISSAN MARCH
INNER **OEM No.:** 39741-44B85
EANARK11, FANARK22



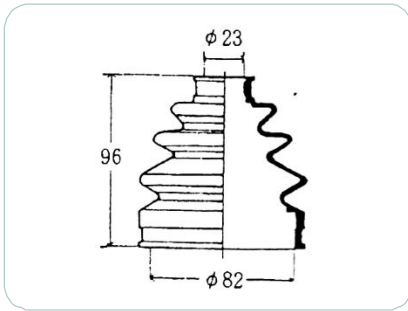
EO2036 NISSAN PULSAR, LANGLEY, LIVERTA
INNER **OEM No.:** 39741-01A26
PN12, RPN12



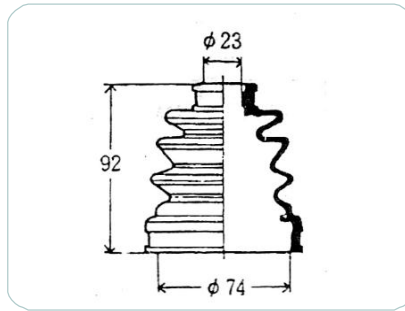
EO2059 NISSAN PULSAR
OUTER **OEM No.:** 39241-03A25
N14, HN13, JN13, RJN13, FJN13



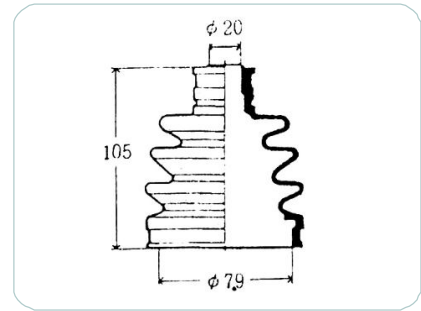
Drive Shaft Boots



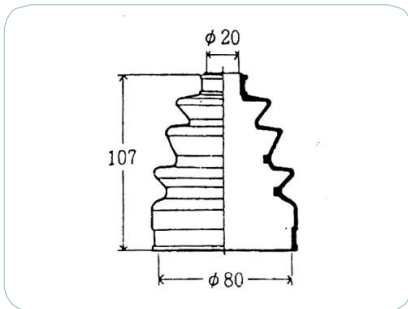
EO2093 NISSAN PULSAR
OUTER OEM No.: 39241-0M325
 EAYAR15, BBYAR15



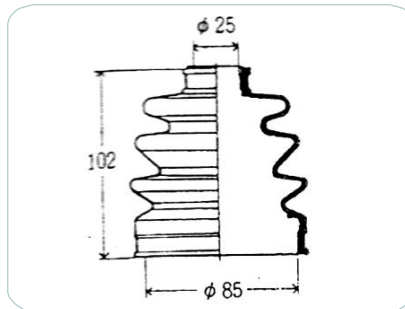
EO2079 NISSAN SUNNY
INNER OEM No.: 39741-70A28
 SNB13, SNB14



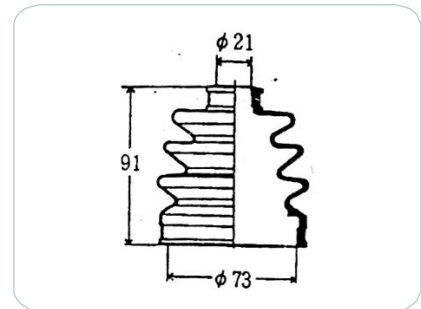
EO2056 NISSAN SUNNY, Laurel Spirit
OUTER OEM No.: 39241-01A90
 B11, KB11, WB11, HB11, KHB11



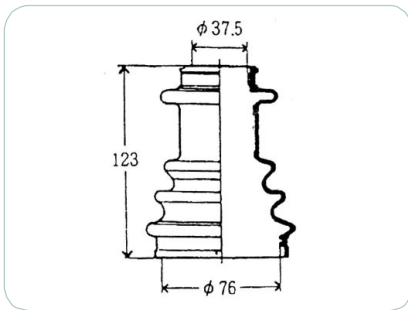
EO2034 NISSAN SUNNY, Laurel Spirit
OUTER OEM No.: 38241-01A88
 B11, KB11, WB11, HB11, KHB11



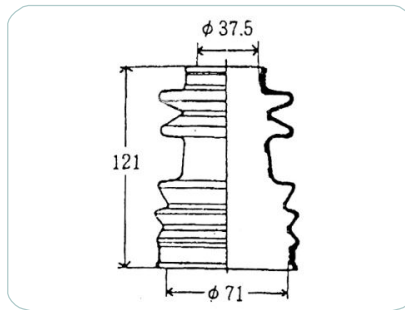
EO2041 NISSAN SUNNY, Laurel Spirit
OUTER OEM No.: 39241-17R25
 HB12, RHB12, KHB12, WHB12



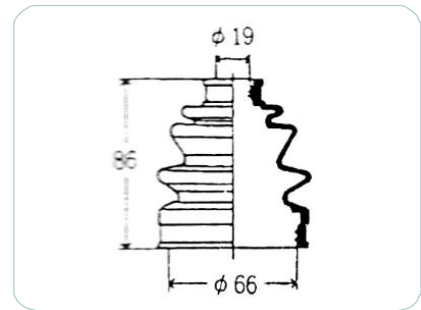
EO2013 NISSAN SUNNY, Laurel Spirit
OUTER OEM No.: 39241-11M25
 B11, FB11, WB11



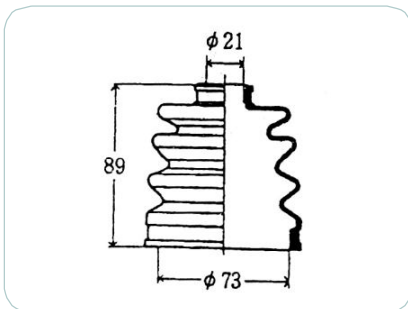
EO2021 Nissan Violet, Auster, Stanza
OUTER OEM No.: 39241-D0125
 T11, FT11, KT11, PT11, FPT11



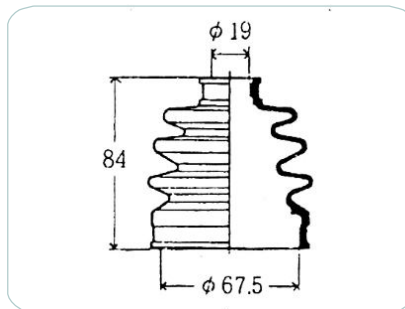
EO2022 Nissan Violet, Auster, Stanza
INNER OEM No.: 38241-D0125
 T11, FT11, KT11, PT11, FPT11



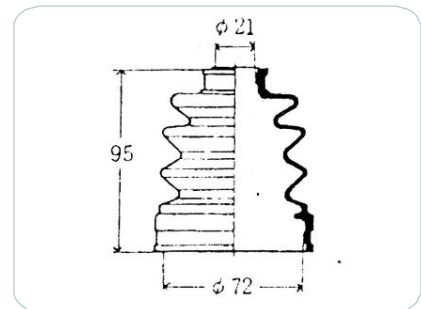
EO2081 SUBARU FF REX
OUTER OEM No.: 7232-22350
 KG1, KH1, KH3, KH4



EO2009 SUBARU JUSTY
OUTER OEM No.: 7232-22090
 KA6



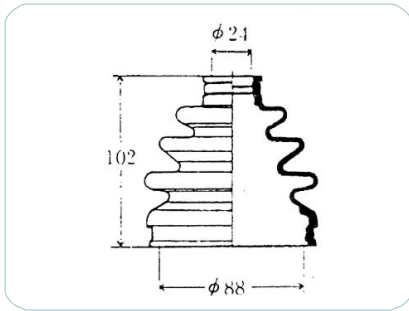
EO2047 SUBARU JUSTY
OUTER OEM No.: 7232-22180
 KA5



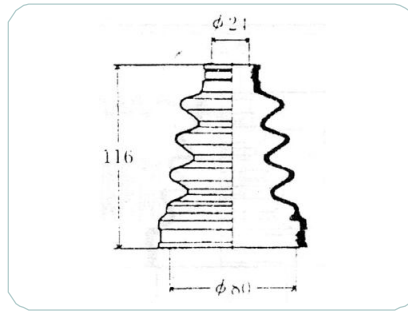
EO2048 SUBARU JUSTY
INNER OEM No.: 7232-22191
 KA6, KA8



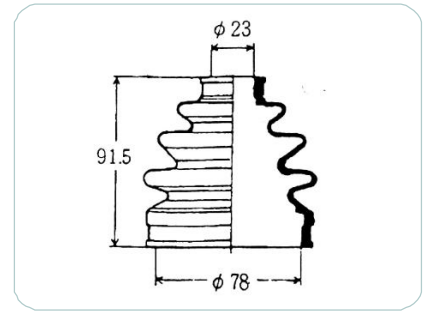
Drive Shaft Boots



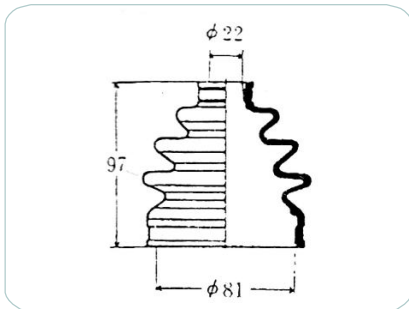
EO2123 SUBARU LEGACY
OUTER
BC4
OEM No.: 28023-AA044



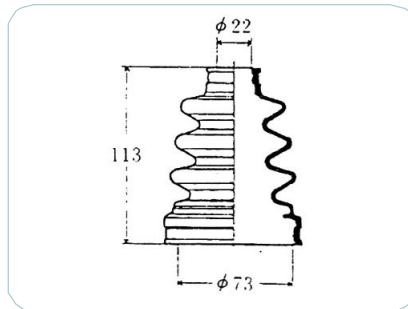
EO2124 SUBARU LEGACY
INNER
BC4
OEM No.: 28023-AA050



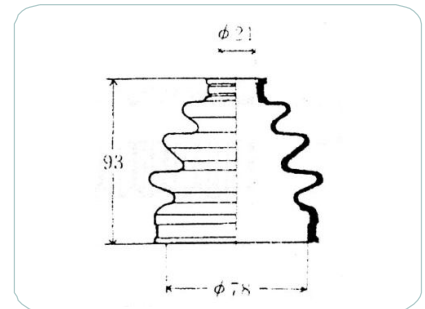
EO2099 SUBARU LEGACY
OUTER
BC5
OEM No.: 28023-AA090



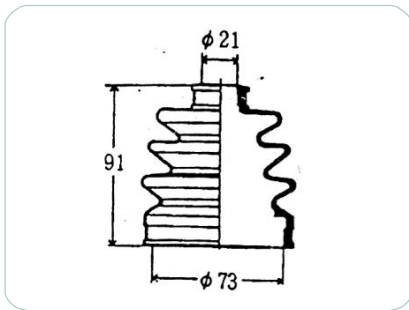
EO2121 SUBARU LEGACY
OUTER
BF3, BC5, BCA, BF5, BFABG5, BD4
OEM No.: 28022-AA022



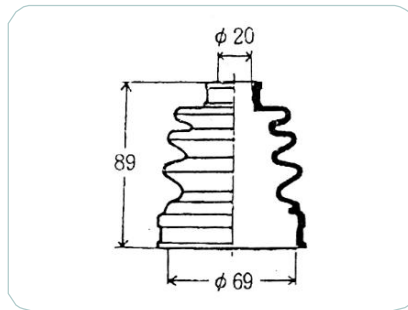
EO2122 SUBARU LEGACY
OUTER
BF3, BC5, BCA, BF5, BFABG5, BD4
OEM No.: 28023-AA030



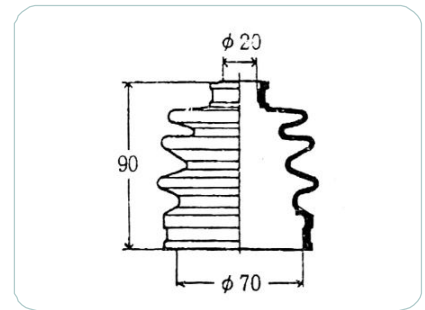
EO2132 SUBARU LEGACY
OUTER
BF3, BC5, BCA, BF5, BFABG5, BD4
OEM No.: 28023-AA002



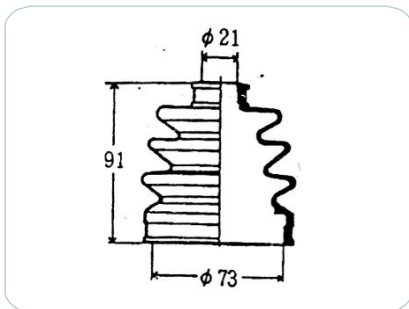
EO2013 SUBARU LEONE
OUTER
AA2, AP2
OEM No.: 23222-GA140



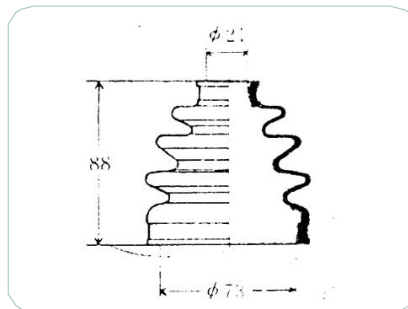
EO2067 SUZUKI CARRY EVERY
INNER
DF51V (EVERY)
OEM No.: 44219-51F00



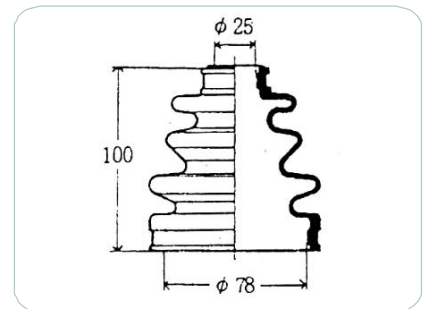
EO2066 SUZUKI CARRY EVERY
OUTER
DF51V, DE51V
OEM No.: 44218-51F00



EO2013 SUZUKI CULTUS
OUTER
AA33S, AB33S
OEM No.: 44118-53B10



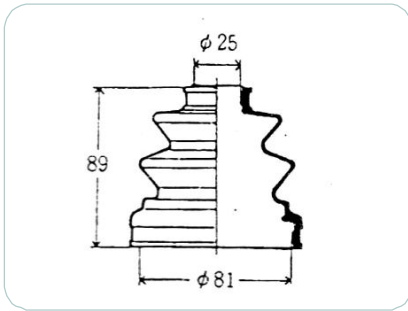
EO2128 SUZUKI CULTUS
OUTER
AA34S
OEM No.: 44118-64B20



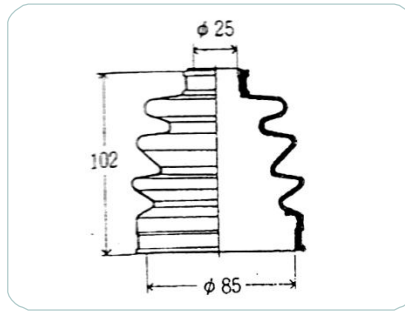
EO2043 TOYOTA CAMREY, VISTA
OUTER
SV11, SA21
OEM No.: 04438-32020



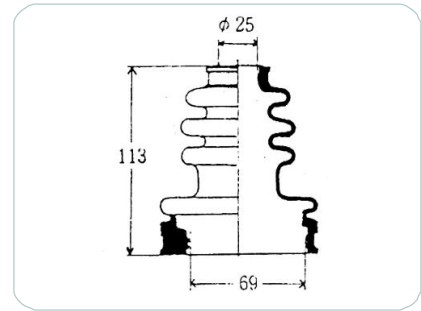
Drive Shaft Boots



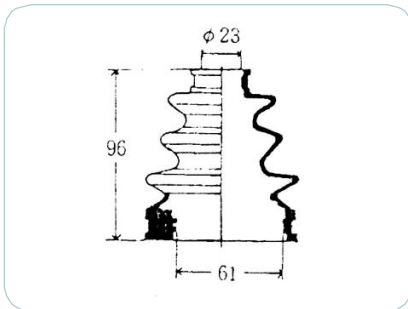
EO2042 TOYOTA CAMREY, VISTA
INNER
OEM No.: 04438-32040
CV20



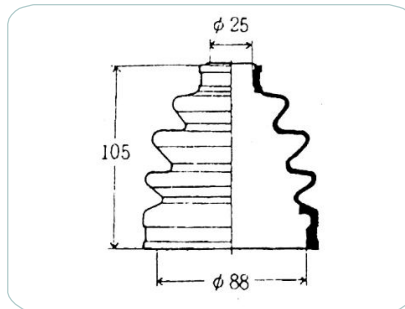
EO2041 TOYOTA CAMREY, VISTA
OUTER
SA12, SV21
OEM No.: 04438-32050



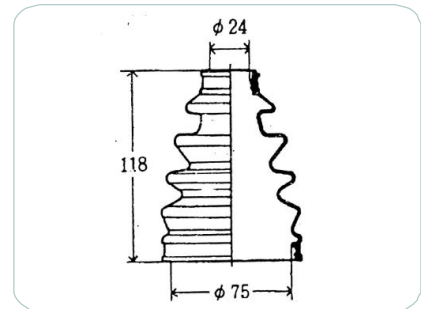
EO2044 TOYOTA CARINA FF
INNER
AT160, ST150, CT150, CT170
OEM No.: 04438-12050



EO2084 TOYOTA COROLLA II
INNER
EL30, EL41, EL51, EL31, EL43, EL53
OEM No.: 04438-10050



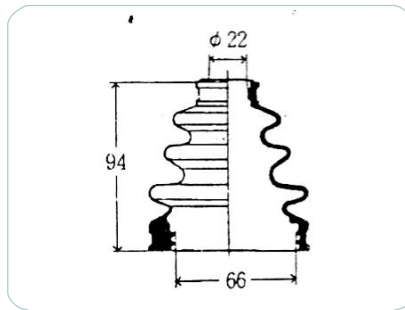
EO2060 TOYOTA COROLLA LEVIN
OUTER
AE101
OEM No.: 04438-12100



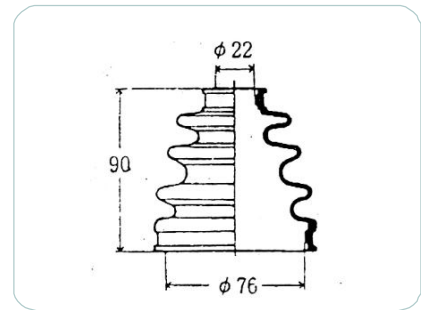
EO2007 TOYOTA COROLLA II Tercel
OUTER
AL20, AL21
OEM No.: 04438-16023



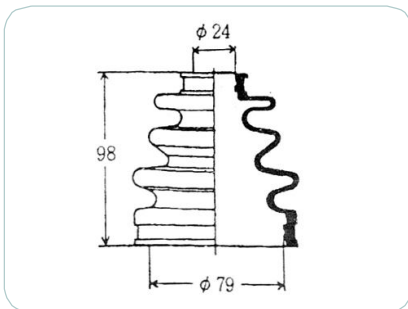
EO2008 TOYOTA COROLLA II Tercel
INNER
AL20, AL21
OEM No.: 04438-16011



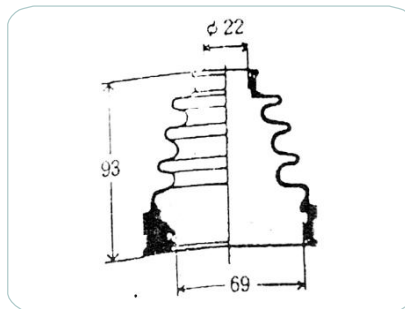
EO2050 TOYOTA Corolla Sprinter
INNER
AE81, AE82
OEM No.: 04438-12010



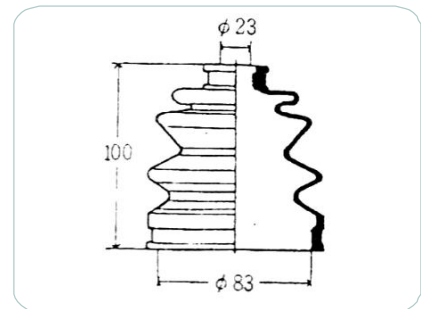
EO2049 TOYOTA Corolla Sprinter
OUTER
AE81, AE82
OEM No.: 04438-12021



EO2119 TOYOTA CARONA
OUTER
AT175, AT190, ST170, ST190, ST191
OEM No.: 04438-32171



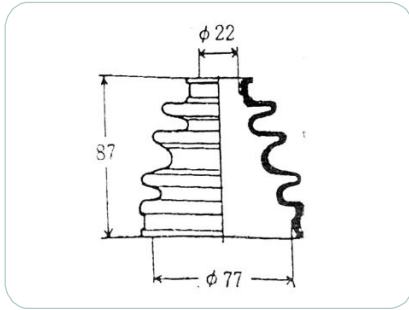
EO2120 TOYOTA CARONA
INNER
AT175, AT190, ST170, ST190, ST195
OEM No.: 04438-32162



EO2082 TOYOTA CARONA EXIV
OUTER
ST182, ST202
OEM No.: 04438-20090



Drive Shaft Boots



EO2117 TOYOTA CARONA EXIV
OUTER OEM No.: 04438-12172
 ST180, ST181, ST182, ST183



EO2150 TOYOTA CARONA EXIV
INNER OEM No.: 04438-20060
 ST183, ST203



EO2151 TOYOTA HI-ACE
OUTER OEM No.: 04438-35021
 YH57G, LH85, LH56V, LH66V, LH109V

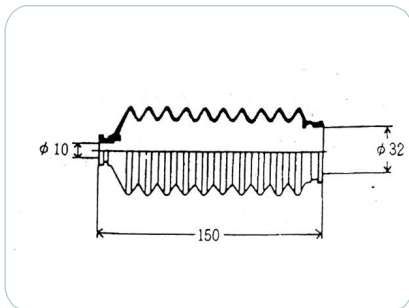


EO2152 TOYOTA HI-ACE
INNER OEM No.: 04438-35011
 YH57G, LH85, LH56V, LH66V, LH109V

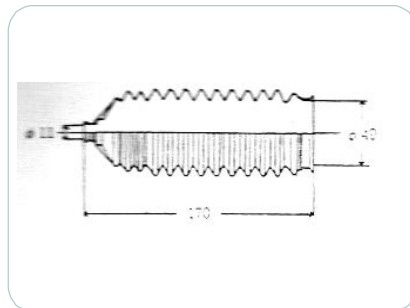


EO2153 TOYOTA LITE-ACE
INNER OEM No.: 04438-28011
 YM60, YM65, YM40G, YR30G, CM60

Steering Boots



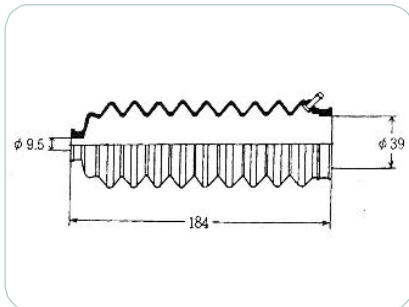
EO2052 DAIHATSU CHARADE
LEFT OEM No.: 4553687701000
 G10



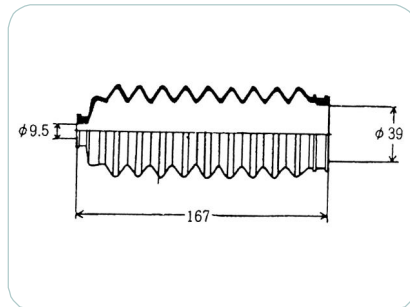
EO2061 DAIHATSU CHARADE
RIGHT OEM No.: 4553587704000
 G102S, G112S



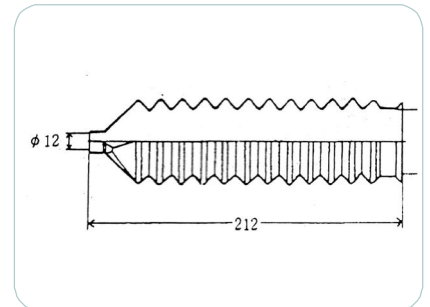
EO2068 DAIHATSU MIRA
RIGHT/LEFT OEM No.: 4553587204000
 L200S, L200V, L220S, L510V



EO2006 HONDA ACCORD
RIGHT/LEFT OEM No.: 5534-SA5-951
 SY100, 110SZ100, 120, AD100, 106



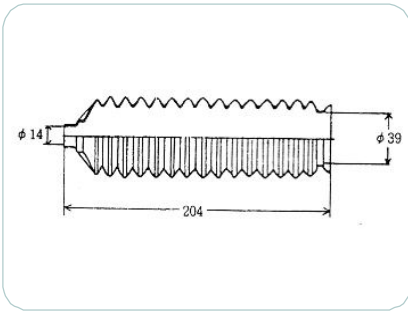
EO2026 HONDA TODAY
RIGHT/LEFT OEM No.: 53537-SA5-000
 JW1-100, 120, KA1-100, JA2-100, 200



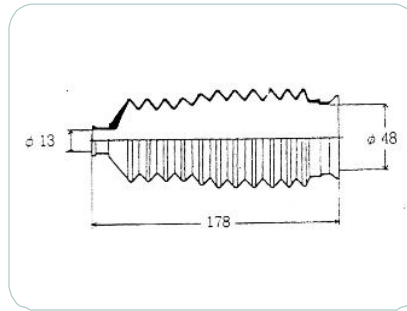
EO2056 MAZDA CAPELLA
RIGHT/LEFT OEM No.: H002-32-125
 GC6P, GC8P, GC8J, GC8P



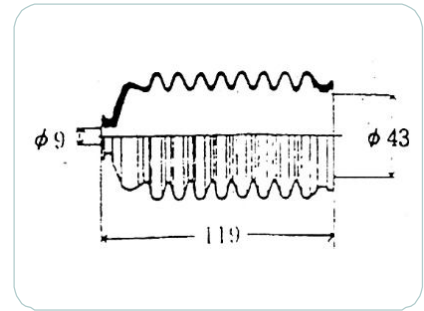
Steering Boots



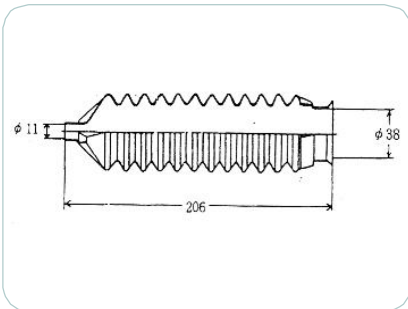
EO2023 MAZDA CAPELLA
RIGHT/LEFT **OEM No.:** G030-32-125
GC6P, GC8P, GC8J, GCEP



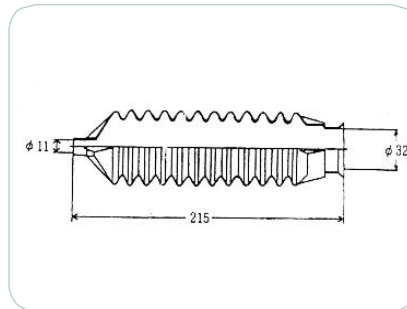
EO2064 MAZDA CAPELLA
RIGHT/LEFT **OEM No.:** GJ22-32-125
GD6P, GD6V, GD8J, GD8R, GV8W, GD8Y



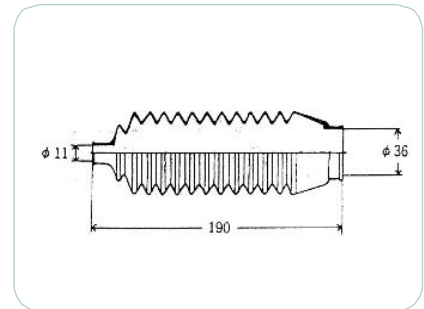
EO2060 MAZDA CORONA
RIGHT/LEFT **OEM No.:** 45535-20040
AT150, AT175, ST150, ST160, ST162



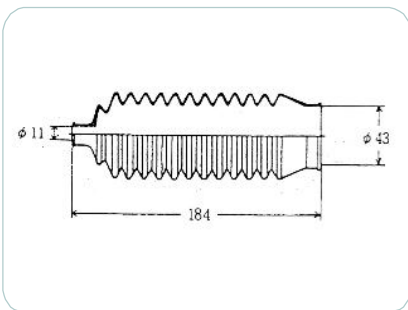
EO2021 MAZDA FAMILIA
RIGHT **OEM No.:** B001-32-125
BD1031, BD1051



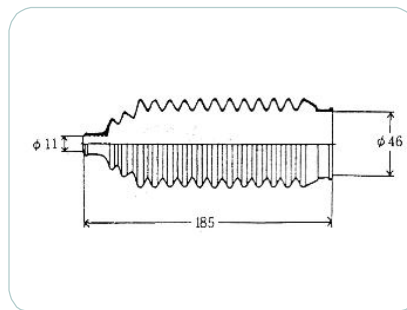
EO2022 MAZDA FAMILIA
LEFT **OEM No.:** B001-32-118
BD1031, BD1051



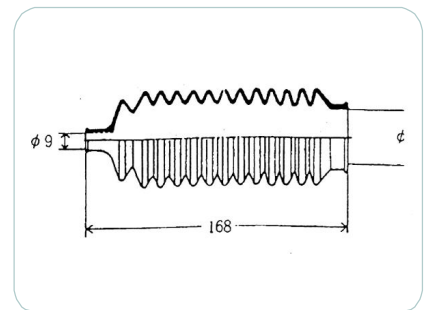
EO2044 MITSUBISHI GALANT
LEFT **OEM No.:** MB266165
E11A, E12A



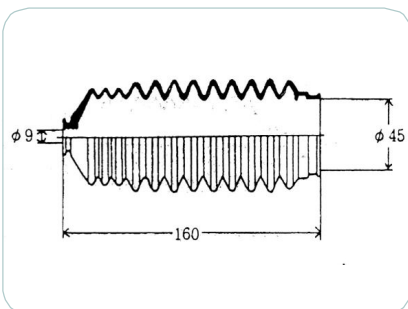
EO2045 MITSUBISHI GALANT
RIGHT **OEM No.:** MB266166
e11a, e12a



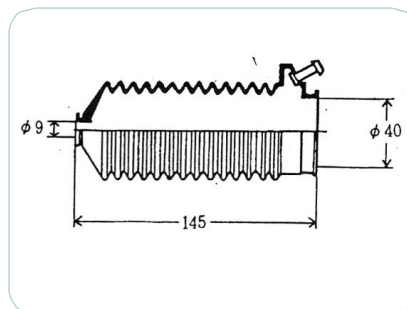
EO2043 MITSUBISHI GALANT
RIGHT/LEFT **OEM No.:** MB501711
E31A, E32A, E35A, A37A, E52AS, E35AS



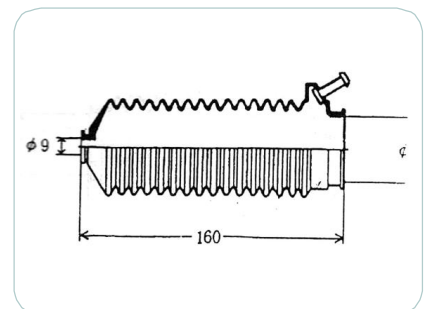
EO2020 MITSUBISHI LANCER
RIGHT **OEM No.:** MB347364
CB1AS, C12V, C12WC32V



EO2042 NISSAN BLUE BIRD
RIGHT/LEFT **OEM No.:** 483203-10V25
KMU12, RU12, KRU12, EU12, KEU12, HU12



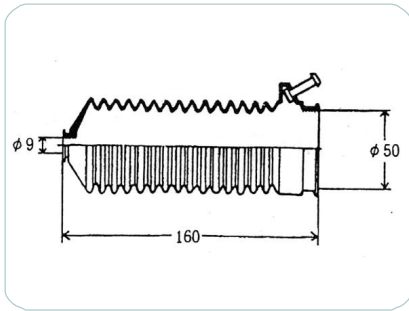
EO2037 NISSAN BLUE BIRD
RIGHT **OEM No.:** 48203-05F00
RU11, VRU11, U11, WU11, YU11, KYU11



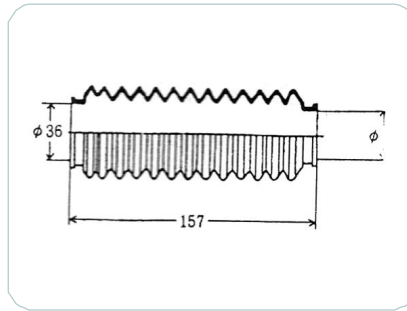
EO2038 NISSAN BLUE BIRD
LEFT **OEM No.:** 48204-05F00
RU11, WU11, YU11, KYU11, EU11, VEU11



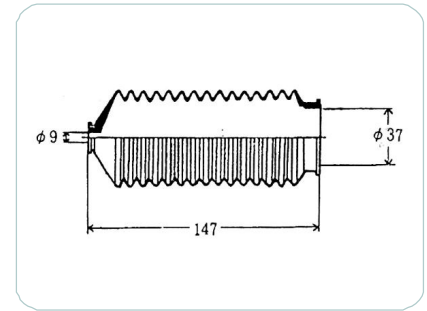
Steering Boots



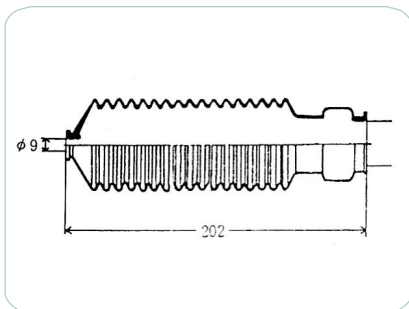
EO2039 **NISSAN BLUE BIRD**
LEFT **OEM No.:** 48204-42L00
VRU11,WU11,FU11,KFU11,EU11,VEU11



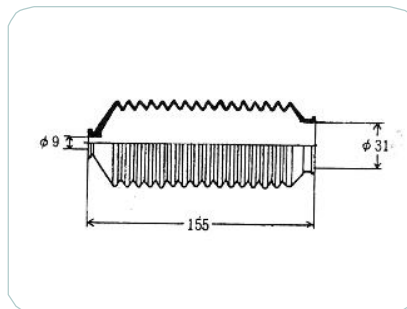
EO2036 **NISSAN BLUE BIRD**
LEFT **OEM No.:** 48204-02E00
WU11



EO2015 **NISSAN DATSUN AD VAN**
RIGHT/LEFT **OEM No.:** 48203-11A00
VB11, VHB11, VSB11



EO2014 **NISSAN PRAIRIE**
LEFT **OEM No.:** 48204-04A01
M10, VBM10, PM10



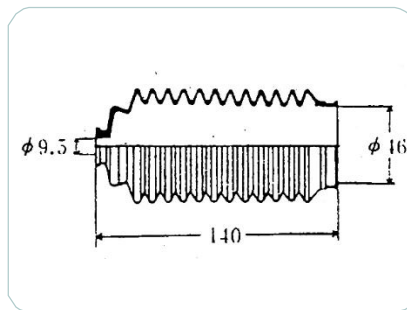
EO2035 **NISSAN PRAIRIE**
RIGHT **OEM No.:** 48203-01F00
PM10, HNM10



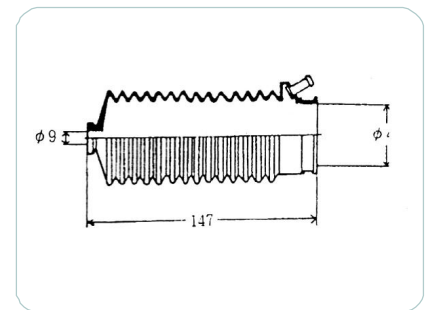
EO2076 **NISSAN SUNNY**
RIGHT **OEM No.:** 48203-53Y25
B13, FB13, FNB13, FNB14, EB13, SB13



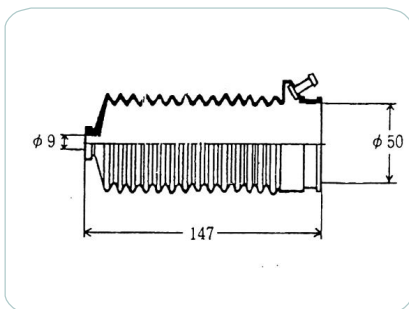
EO2077 **NISSAN SUNNY**
LEFT **OEM No.:** 48204-53Y25
B13, FB13, FNB13, FNB14, EB13, SB13



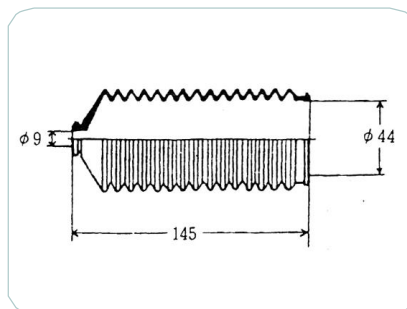
EO2078 **NISSAN SUNNY**
RIGHT **OEM No.:** 48203-0E025
B14, FB14, HB14



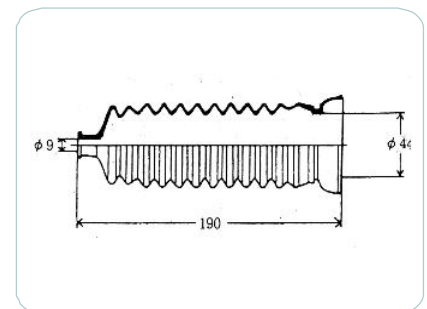
EO2016 **Nissan Sunny, Laurel, Spirit**
RIGHT **OEM No.:** 48203-01B01
B11,KB11,WB11,HB11,KHB11,WHB11



EO2017 **Nissan Sunny, Laurel, Spirit**
LEFT **OEM No.:** 48204-D0301
B11,KB11,WB11,HB11,KHB11,WHB11



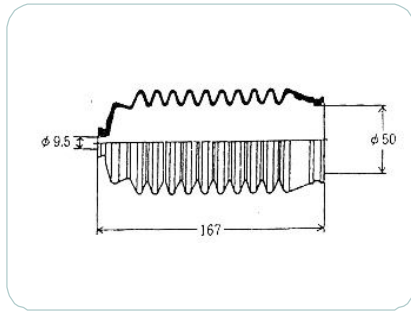
EO2009 **Nissan Violet, Auster, Stanza**
RIGHT **OEM No.:** 48203-W1000
T11, FT11, FT11



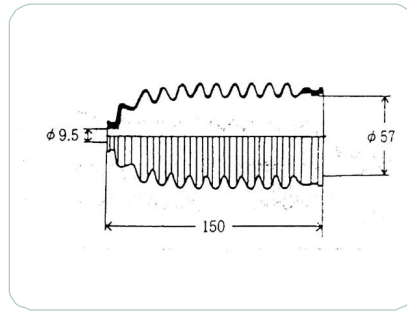
EO2055 **SUBARU LEONE**
RIGHT/LEFT **OEM No.:** 31232-GA082
AA2,AA3,AP3,AA4,AG4,AA5,AG6,AA7



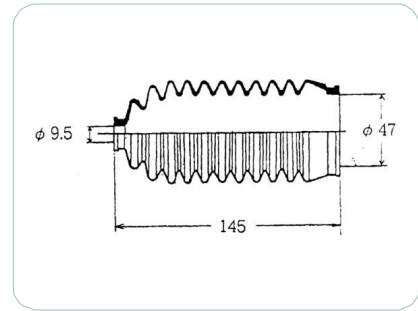
Steering Boots



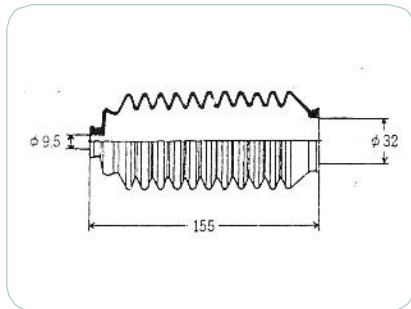
EO2008 TOYOTA CAMRY, VISTA
LEFT **OEM No.:** 45536-14020
SV10, SV20, SV21, SV22



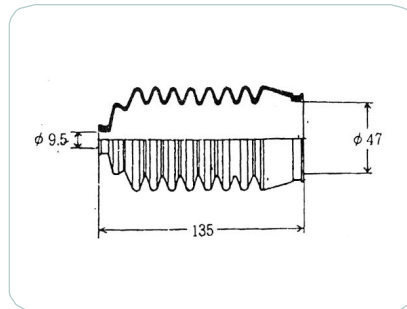
E-2046 TOYOTA CAMRY, VISTA
RIGHT/LEFT **OEM No.:** 45535-14011
SV10, CV10, SV11, SV12



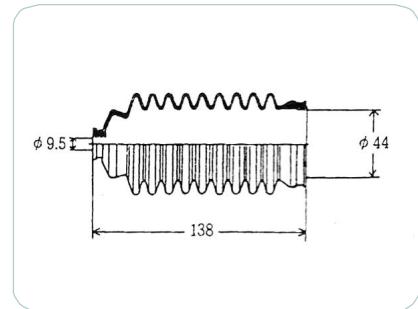
EO2066 TOYOTA CAMRY, VISTA
RIGHT **OEM No.:** 45535-20050
SV20, SV22, SV30, SV40, SV21, SV25



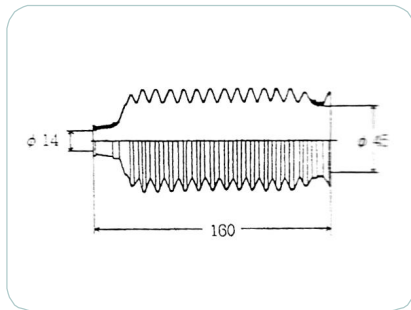
EO2001 TOYOTA CARINA FF
RIGHT **OEM No.:** 45535-12011
AT150, AT170, AT170G, AT176V



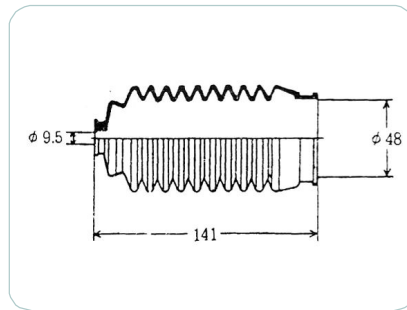
EO2004 TOYOTA Carolla, Sprinter
RIGHT/LEFT **OEM No.:** 45535-12040
AE80, EE80, AE81, AE82, CE80



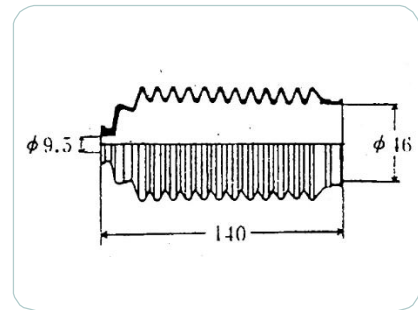
EO2003 TOYOTA CARONA
LEFT **OEM No.:** 45536-12030
AT150, AT170, AT176V, CT170, CT176V



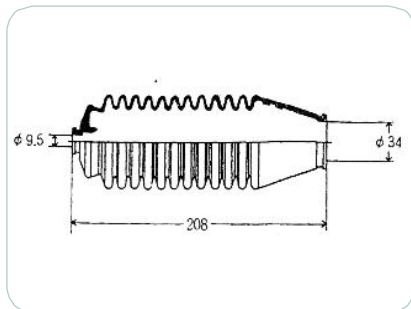
EO2065 TOYOTA COROLLA
RIGHT/LEFT **OEM No.:** 45535-12060
AE100, AE110, AE101, CE100, 106V, 108G



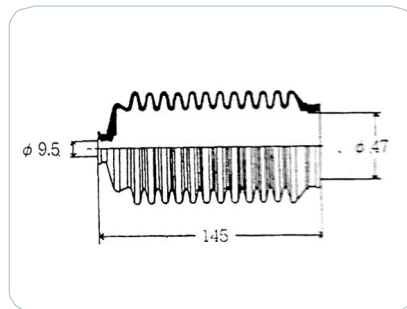
EO2005 TOYOTA COROLLA II
RIGHT/LEFT **OEM No.:** 45535-16020
AL20, AL21, EL31



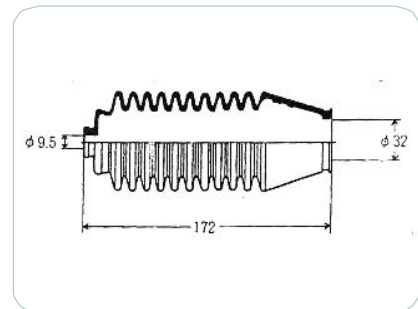
EO2059 TOYOTA COROLLA, SPRINT
RIGHT/LEFT **OEM No.:** 45535-12050
AE91, AE91G, EE98V, AE92, AE95



EO2007 TOYOTA CORONA
RIGHT/LEFT **OEM No.:** 45535-22011
AT140, AT141, ST140, TT142, CT140



EO2063 TOYOTA MARK II
RIGHT/LEFT **OEM No.:** 45535-22030
SX70, GX71, MX70xt, YX76, LX70



EO2002 TOYOTA MR2
LEFT **OEM No.:** 45536-12011
AW10, AW11



Shock Absorber Boots



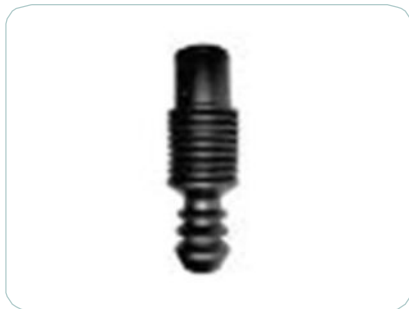
EOSAB01 **MAZDA 323 (B2)**
Shock Absorber Boot
OEM No.: B455-34-111



EOSAB02 **MAZDA 323 (B2)**
Shock Absorber Boot
OEM No.: B455-28-111



EOSAB03 **MAZDA 323 XG**
Shock Absorber Boot
OEM No.: B001-28-111



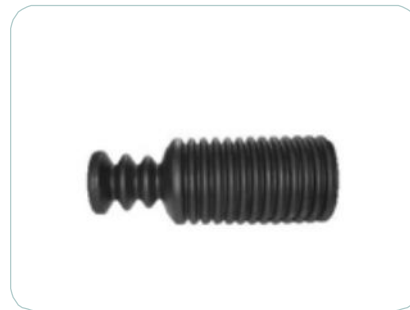
EOSAB04 **MAZDA 323 XG**
Shock Absorber Boot
OEM No.: B001-28-111



EOSAB05 **MAZDA MX-511 (NB)**
Shock Absorber Boot
OEM No.:



EOSAB06 **NISSAN**
Shock Absorber Boot
OEM No.: 55241-50A10



EOSAB07 **NISSAN**
Shock Absorber Boot
OEM No.: 55240-50Y00B



EOSAB08 **NISSAN**
Shock Absorber Boot
OEM No.: 55240-0M105



EOSAB09 **TOYOTA**
Shock Absorber Boot
OEM No.: 48341-2180



EOSAB10 **TOYOTA**
Shock Absorber Boot
OEM No.: 48341-12140



Bushes (Rubber & P.U.)



AUDI - BMW - FIAT - FORD



EOBH349 **AUDI**
OEM No.: 1J0501541C
BUSH AXLE AUDI A3 SEAT IBIZA VW REAR



EOBH376 **BMW**
BUSH LC BMW 316, 318, 320, 323, 325



EOBH534 **BMW**
OEM No.: 3331097009
BUSH REAR TRAIL ARM BMW 3-SER



EOBH320 **FIAT**
OEM No.: 985807
BUSH LC FIAT UNO 1100 1400



EOBH76 **FIAT**
EXH RUBBER FIAT UNO 1100 1400



EOBH119 **FORD**
BUSH SHK POLY MIT FORD HUSK



EOBH307 **FORD**
BUSH TB POLY FORD CRTN 1.6 2.0 3.0



EOBH309 **FORD**
OEM No.:
BUSH LC FORD EST 1.4 1.6 1.8 FRT OUT



EOBH529 **FORD**
OEM No.: RC902603P
BUSH LC FORD FOCUS 1.8 FRT INN



EOBH530 **FORD**
OEM No.: EM1495
BUSH SHK FORD BNTM CRTN MAZ FRT LWR



EOBH340 **FORD**
BUSH LC FORD MONDEO 1.8 2.0 2.5 FRT INN



EOBH362 **FORD**
OEM No.: RC902603P
BUSH LC FORD FOC MAZ 3 VOL C30 S40 V50



Bushes (Rubber & P.U.)



FORD - MAZDA



EOBH120 **FORD, MAZDA**
ARM BUSH Small
RANGER



EOBH301 **FORD, MAZDA**
BUSH SHK POLY FORD
COUR MAZ B-SER



EOBH64 **FORD MAZDA**
BUSH SHK POLY FORD
COUR MAZ B-SER



EOBH36 **Ford, Hyundai, Mazda,**
Stabiliser Link **Nissan, Mitsubishi, Toyota**
Grommet-Front **OEM No.:** 56112-21000
Courier, Husky, Bakkie, Isuzu, Relay, B1600,



EOBH16 **Ford, Isuzu, Mazda, Mitsubishi,**
Shock Rubber & **Peugeot, Renault**
Stabilizer Grommet-Front Courier, Husky,
OEMNo.ID10XOD22XW16.5 Ranger, KB160



EOBH66 **FORD, MAZDA**
B210-34-470
Lower Control Arm Bush - Front Outer
Laser, Meteor, Bantam, 323, Midge, Rustler



EOBH52 **FORD, MAZDA**
Lower Control Arm Bush - Front Inner
OEM No.: B001-34-460
Bantam, Laser, Meteor, 323, Midge, Rustler



EOBH53 **FORD, MAZDA**
Lower Control Arm Bush Front Inner Polyurathane
OEM No.: B001-34-460
Bantam, Laser, Meteor, 323, Midge, Rustler



EOBH115 **FORD, MAZDA**
Lower Control 626
Arm Bush - Front Outer
OEM No.: G030-34-460



EOBH121 **FORD, MAZDA**
Arm Bush, Big **RANGER**



EOBH314 **FORD/MAZDA**
OEM No.: SPF0753K
BUSH SHK FORD COUR MAZ B-SER



EOBH330 **FORD/MAZDA**
OEM No.:
BUSH UC MAZ 2.6 FORD RINGER



Bushes (Rubber & P.U.)



FORD - MAZDA - HONDA - HYUNDAI



EOBH332 FORD/MAZDA
OEM No.: 96FB 3A 262
BUSH LC MAZ SOHO
1.3 1.4 FORD FIES 1.3 1.4



EOBH333 FORD/MAZDA
OEM No.: G030 34 470D
BUSH LC MAZ 626 1.6 1.8 2.0 FRT OUT



EOBH535 FORD/MAZDA
OEM No.: 1063372
BUSH LC FORD BNTM FIES MAZ FRT INN



EOBH118 HONDA
BUSH LC HON BALL
150 160 180 (INN)



EOBH123 HONDA
Bush Rear Trail Arm Honda
150 160 180



EOBH310 HONDA
OEM No.: 31126757551
BUSH REAR TRAIL ARM HON
BALL CIV UPP



EOBH518 HONDA
OEM No.:
BUSH LC HON BALL 150 160 180 (INN)



EOBH533 HONDA
OEM No.:
BUSH LC HON BALL 150 160 180 (OUT)



EOBH336 HONDA
OEM No.:
BUSH LC HON BALL 150 160 180 LWR



EOBH337 HONDA
OEM No.: 24416545
BUSH UC HOD BALL 150 160 180 FRT INN



EOBH539 HONDA
BUSH LC HON JAZZ 1.4 1.5
DSI T-TECH CVT



EOBH335 HYUNDAI
OEM No.: MB633870
BUSH LC HYUN 2.5 H100 MIT CLT PAJE



Bushes (Rubber & P.U.)



ISUZU



EOBH09 **ISUZU**
PEDAL PAD RUB ISU KB TFR SER 88-



EOBH73 **ISUZU**
BUSH UC Polyurethane ISU KB160



EOBH154 **ISUZU**
EXT Hanger ISU KB-SER KBD-Series



EOBH126 **ISUZU**
BUSH LC ISU KB KBD 1.6 1.8 2.0



EOBH70 **ISUZU**
BUSH STB ISUZU KB KBD WFR



EOBH531 **ISUZU**
BUSH STB ISU KB230 250 4x4 2.3



EOBH318 **ISUZU**
BUSH LC ISU KB230 260 280 INN



EOSTB001 **ISUZU**
Stabilizer Kit Big - Long Pipe
KB SERIES-88-



EOBH72 **ISUZU**
Upper Control Arm Bush Front (Inner)
ISUZU 89-04 KB160,200,220,230,
250D,260,280DT,300TDI,320



EOBH74 **ISUZU**
BUSH STB ISU WFR 1.8 2.0 89-



EOBH70 **ISUZU**
BUSH STB ISU KB KBD-SER



EOBH71 **ISUZU**
BUSH POLY ISU KB TFR-SER



Bushes (Rubber & P.U.)



ISUZU - TOYOTA - LANDROVER - MAZDA



EOBH531 ISUZU
OEM No.:
BUSH STB ISU KB230 4X4 2.3 2.5



EOBH318 ISUZU
OEM No.: 11811133364
BUSH LC ISU KB230 260 280 INN



EOBH338 ISUZU
OEM No.:
BUSH LC ISU KB230 250 260 280 89-



EOBH341 ISUZU
OEM No.:
BUSH LC ISU KB230 250 280 3.0 FRT INN



EOBH342 ISUZU
OEM No.: 8-97018-165-0
BUSH LC ISU KB160 200 230 260 280 FRT INN



EOBH25 ISUZU, TOYOTA
Shackle Bush - Rear Lower
OEM No.: 90385-18046
KB SERIES, HIACE, HLX



EOBH49
Shackle Bush Front-Upper
OEM No.: 90389-14007
Isuzu, Toyota
KB160, KB200, KB220, KB230, KB250D,
KB260, KB280DT, KB320, HI-ACE, HI-LUX



EOBH51 LANDROVER
Bush Shackle Rear Lower -Landrover



EOBH75 MAZDA
Lower Control
Arm Bush - Front Inner 626



EOBH67 MAZDA
BUSH LC Polyurethane MAZ 323



EOBH516 MAZDA
BUSH LC MAZ 626 TELS FRT OUT



EOBH517 MAZDA
BUSH LC MAZ 626 TELS FRT OUT



Bushes (Rubber & P.U.)



MAZDA - MERCEDES - MITSUBISHI



EOBH313 **MAZDA**
OEM No.: 101-3803
BUSH UC MAZ B1600 B1800
B2000 -86 (SCREW TYPE)



EOBH343 **MAZDA**
OEM No.: RC902479P
BUSH LC MAZ AST ETU 180 RH FRT OUT



EOBH122 **MERCEDES**
Centre Joint Rubber
OEM No.: 3104100922



EOBH38 **MERCEDES**
BUSH LC MER 2.2-05 FRT INNER



EOBH123 **MITSUBISHI**
Bushing
OEM No.: MB-518094 LH



EOBH124 **MITSUBISHI**
Bushing
OEM No.: MB-518094 RH



EOBH125 **MITSUBISHI**
Centre Joint Rubber
4D30/31/32
OEM No.: ME000076



EOBH126 **MITSUBISHI**
C. J. Ring
OEM No.: 1209-25403
FT, FV, FU, FP, FMT 951, FM 125



EOBH127 **MITSUBISHI**
Bush
OEM No.: MB-176442



EOBH128 **MITSUBISHI**
Upper Arm Bush
PAJERO
OEM No.: MB109684



EOBH155 **MITSUBISHI**
Lower Arm Bush
OEM No.: MB515500



EOBH156 **MITSUBISHI**
Lower Arm Bush
OEM No.: MB518220



Bushes (Rubber & P.U.)



MITSUBISHI - PAJERO - NISSAN



EOBH157 MITSUBISHI
Bush
OEM No.: MB110720



EOBH14 MITSUBISHI
BUSH SHK MIT CNTR 4D31 4D32



EOBH30 MITSUBISHI
BUSH STB HYUN
2.5 H100 MIT COLT FRT



EOBH158 MITSUBISHI, PAJERO
Lower Arm Bush
OEM No.: MB109662



EOBH59 NISSAN
Lower Control Arm Bush - Front Outer
OEM No.: 54560-50A00 SENTRA



EOBH106 NISSAN
Bush Stabilizer Ford Mazda Toy Nissan



EOBH61 Shackle Bush Front - Lower
NISSAN OEM No.: 55045-H1400
1200,120Y,1400,140Y,140Z,1600,160Y,160Z,B120



EOBH129 NISSAN
Centre Joint Rubber RD 8
OEM No.: 37510-90009



EOBH130 NISSAN
Centre Joint Rubber RD 8
OEM No.: 3751-900010



EOBH6004 8MM BOLT NISSAN
Stabiliser Kit Welded - Small 1400



EOBH131 NISSAN
Lower Arm Bush SENTRA
OEM No.: 54560-50A00



EOBH132 NISSAN
Lower Arm Bush
OEM No.: 54590-01E01



Bushes (Rubber & P.U.)



NISSAN



EOBH133 **NISSAN**
Lower Arm Bush
OEM No.: 54570-69Y10C



EOBH322 **NISSAN**
Stabiliser Link Bush
OEM No.: 55193-50A00



EOBH56 **NISSAN**
Spring Shackle Rubber Rear
OEM No.: 55046-R8000
CARAVAN E23, E24



EOBH134 **NISSAN**
Rear Bushing
OEM No.: 55045-D0101



EOBH63 **NISSAN**
Bush TB Nissan
SKY 2.0 GL GLE SGLI -92



EOBH55 **NISSAN**
Bush SHK Poly Nissan 680 720 Z22



EOBH78 **NISSAN**
Bush TB Nissan 1-TONN 1.6 1.8 2.5 4x4



EOBH116 **NISSAN**
Bush STB Nissan Sent 140 160



EOBH269 **NISSAN**
Torsion Rod Bushing
OEM No.: 54476-01G00
720, TD25



EOBH77 **NISSAN**
Bush SHK Nissan 1200 1400 1600 -78



EOBH45 **NISSAN**
Bush SHK Nissan 1 TONN
Z24 88- FRT LWR



EOBH46 **NISSAN**
Bush SHK Polyurethane Nissan 1-TONN



Bushes (Rubber & P.U.)



NISSAN



EOBH57 **NISSAN**
Bush SHK Polyurethane Nissan 1 TONN



EOBH60 **NISSAN**
Bush LC Polyurethane Nissan Sent



EOBH62 **NISSAN**
Bush UC Nissan
680 720 Z22 1 TONN 2.4 2.



EOBH321 **NISSAN**
Bush STB Nissan Sent
1.3 1.6 1.8 Front



EOBH37 **NISSAN**
Bush LC Nissan
E20 720 680 LWR INNER



EOBH41 **NISSAN**
Bush SHK Nissan
E20 L18 1.8 LWR + UPP



EOBH316 **NISSAN**
Bush LC Nissan Sent 1.8 16V FRT



EOBH122 **NISSAN**
Pedal Pad Rub Nissan 1400 (AR6193)



EOBH124 **NISSAN**
Bush STB Nissan 1200 1400 A14



EOBH125 **NISSAN**
Bush FRT Link Nissan SENT 1.3 1.



EOBH321 **NISSAN**
Bush EXH HNG Nissan 1.8,2.4,2.7



EOBH127 **NISSAN**
Bush LC Nissan
1-TONN 1.6 TD252



Bushes (Rubber & P.U.)



NISSAN



EOSTB002 **NISSAN**
Stablizer Kit Nissan
1400 A14 LDV STABKIT



EOSTB003 **NISSAN**
Stablizer Kit Nissan
1400 A14 LDV STABKIT



EOATG105 **NISSAN**
Gear Link Kit Nissan 1400



EOBH04 **NISSAN**
Bush STB Opel AST ASC MERIVA FRT



EOBH109 **NISSAN**
EXH Rubber Opel KDTT MON
130 140 160 180



EOBH117 **NISSAN**
Bush LC OPEL CORS 130 140 FRT INN



EOBH111 **NISSAN**
Bush LC OPEL AST KDTT 93- INN+ OUT



EOBH315 **NISSAN**
OEM No.:
BUSH TB NISS 1400 LDV 720



EOBH316 **NISSAN**
OEM No.:
BUSH LC NISS SENT 1.8 16V FRT



EOBH321 **NISSAN**
OEM No.:
BUSH STB NISS SENT 1.3 1.6 1.8 FRT



EOBH322 **NISSAN**
BUSH REAR SUSPENSION NISS
SENT 1.3 1.6 1.8



EOBH323 **NISSAN**
BUSH STB NISS H/BODY
SANI 2.0 2.4 2.7 FRT



Bushes (Rubber & P.U.)



NISSAN - OPEL



EOBH116 NISSAN
OEM No.:
BUSH STB NISS SENT 140 160



EOBH339 NISSAN
OEM No.: 55120-5C000
BUSH UC NISS 2.0 2.4 3.0 LDV



EOBH359 NISSAN
OEM No.: 48609-52100
BUSH STB NISS NP300 HARDBODY
2.0 2.7 3.0



EOBH361 NISSAN
OEM No.: 6001547887
BUSH LC NISS NP200 REN SAN LOG 08-



EOBH363 OPEL
OEM No.: 6N0412331E
BUSH STB OPEL AST ASC MERIVA FRT



EOBH319 OPEL
OEM No.: 90157161
BUSH LC OPEL ASC AST KDTT FRT



EOBH327 OPEL
OEM No.: 1J0412331C
BUSH LC OPEL AST KDTT RR OUT



EOBH375 OPEL
OEM No.: 50821-SAA-013
BUSH LC OPEL CORS 130 140 FRT INN



EOBH344 OPEL
OEM No.: 90498738
BUSH LC OPEL KDTT MONZ DAEW FRT



EOBH537 OPEL
BUSH LC OPEL 1.3 160I MONZA
DAEW00 REAR



EOBH353 OPEL
BUSH LC OPEL CORS 1.4 1.6
1.8 FRT INN



EOBH541 OPEL
OEM No.: 24430103
BUSH LC OPEL CORS 1.4 1.7 FRT OUT



Bushes (Rubber & P.U.)



RENAULT - TOYOTA - COROLLA



EOBH536 **RENAULT**
OEM No.: 8200041166
BUSH LC REN SCEN MEG II (REAR)



EOBH02 **TOYOTA COROLLA**
BUSH STB
TOY CRLLA CNQST 93- RR



EOBH324 **TOYOTA**
BUSH LC TOY CRLLA CRESS
RWD 1.3 1.6 1.8



EOBH502 **TOYOTA**
OEM No.:
BUSH LC TOY QUAN INYATI FRT INN



EOBH22 **TOYOTA**
Front Upper & Lower
Control Arm Bush LAND CRUISER



EOBH42 Shackle Bush Front
Upper, Lower
OEM No.: 90385-18009
TOYOTA
LAND CRUISER



EOBH93 Upper Control
Arm Bush - Front Inner
OEM No.: 48632-26010
TOYOTA
HI-ACE, HI-LUX



EOBH40 **TOYOTA**
Bush Shocker TOY L/CRUISER 2F 2H



EOBH95 Upper Control
Arm Bush - Front Outer
OEM No.: 48635-26010
TOYOTA
HI-ACE, HI-LUX



EOBH97 **TOYOTA**
48611-26010 HIACE N/M, Quantum
Control Arm Bush



EOBH84 **TOYOTA**
Lower Arm Bushing
Corolla, AE80, ST 150
OEM No.: 48655-20030



EOBH23 **TOYOTA**
Suspension Bush Rear
OEM No.: 90385-18046
HI ACE, HILUX



Bushes (Rubber & P.U.)



TOYOTA



EOBH136 **TOYOTA**
Spring Bush Rear DYNA 14B,
OEM No.: 90385-18025 B430, FJ55



EOBH137 **TOYOTA**
Spring Bush Rear DYNA, FJ40,
OEM No.: 90385-15016 101PK



EOBH138 **TOYOTA**
Upper Arm Bushing KE20, 30, 70
OEM No.: 48654-12010



EOBH139 **TOYOTA**
Lower Arm Bushing RN30, HILUX
OEM No.: 48654-35010



EOBH140 **TOYOTA**
Upper Arm Bushing CARONA
OEM No.: 48655-20060



EOBH141 **TOYOTA**
Stabiliser Shaft Bush CARONA,
OEM No.: 48815-30050 CRESSIDA



EOBH143 **TOYOTA**
Lower Arm Bush COROLLA, EE90
OEM No.: 48655-12010



EOBH144 **TOYOTA**
Spring Bush Rear LANDCRUISER
OEM No.: 90385-18002 FJ45, 2F



EOBH147 **TOYOTA**
Stabiliser Arm Bush
OEM No.: 48815-60010



EOBH149 **TOYOTA**
Stabilizer Arm Bush
OEM No.: 48815-60100



EOBH150 **TOYOTA**
Bush
OEM No.: 48655-12050



EOBH151 **TOYOTA**
Stabilizer Bush CORONA, COROLLA
OEM No.: GR-0001



Bushes (Rubber & P.U.)



TOYOTA



EOBH152 **TOYOTA**
Stabilizer Bush CORONA, COROLLA
OEM No.: GR-0004



EOBH153 **TOYOTA**
Stabilizer Bush COROLLA, SUNNY
OEM No.: GR-0010



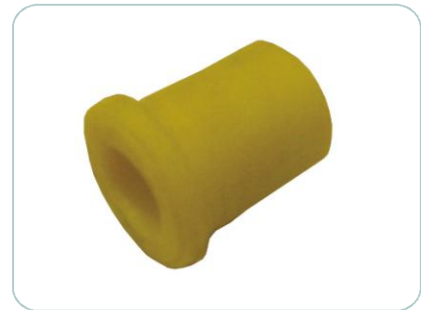
EOBH11 **TOYOTA**
Bush SHK TOY HLX + ISU
KB 90385-18058



EOBH12 **TOYOTA**
Bush SHK Polyurethane
TOY HLX HCE ISU



EOBH26 **TOYOTA**
Bush SHK Polyurethane TOY HCE HLX



EOBH43 **TOYOTA**
Bush SHK Polyurethane
TOY L/CRUIS 2H



EOBH50 **TOYOTA**
Bush SHK Polyurethane
TOY HCE Y-SERIES



EOBH79 **TOYOTA**
Bush STB TOY CRLLA 1.3 1.6 72-



EOBH80 **TOYOTA**
Bush LC TOY CRLLA CRESS
RWD 1.3 1.6 1.



EOBH85 **TOYOTA**
Bush LC Polyurethane TOY CRLLA



EOBH98 **TOYOTA**
BUSH LC POLYURETHANE
TOY HCE



EOBH110 **TOYOTA**
BUSH STB TOY CNQST
1.3 CRES 2.0 2.4 2.8



Bushes (Rubber & P.U.)



TOYOTA



EOBH112 TOYOTA
BUSH TB TOY HCE HLX
Y-SERIES



EOBH113 TOYOTA
BUSH TB POLYURETHANE
TOY HCE



EOBH114 TOYOTA
BUSH STB TOY HCE 2.2
SUPER 16



EOBH115 TOYOTA
Pedal Pad Rubbertoy
Quantum 2.7i



EOBH05 TOYOTA
Bush Strut Bar Kit Toyota
Y-SER HLX HCE



EOBH06 TOYOTA
Bush Strut Bar Kit Toyota
Y-SER HLX HCE



EOBH87 TOYOTA
Lower Control
Arm Bush - Front Outer
OEM No.: 48655-12010

CONQUEST,
TAZZ,
COROLLA



EOBH38 TOYOTA
EXT RUBBER TOY COROLLA
FWD CRES HILUX VENTURE



EOBH82 TOYOTA
BUSH TB TOY CRLLA
RWD + FWD 2T 1



EOBH88 TOYOTA
BUSH LC FRT TOY CRLLA
FWD 1.3 1.6 (RR)PU



EOBH89 TOYOTA
BUSH STB TOY L/CRUIS
CRESS 21R



EOBH90 TOYOTA
BUSH LC TOY CRES
2.0 -92,REAR INNER



Bushes (Rubber & P.U.)



TOYOTA



EOBH91 **TOYOTA**
BUSH STB TOY L/CRUIS
3.6 , 4.2



EOBH92 **TOYOTA**
Pedal Pad Rub Toyota
Y.Series HCE HLX



EOBH99 **TOYOTA**
BUSH TOY HILUX HIACE
Y-Series 4X4



EOBH100 **TOYOTA**
BUSH UC TOY VENT
STALL 1.5 5K



EOSTB004 **TOYOTA**
Stablizer Kit Toyota Nissan
ISU MAZ STABKIT (THIN) T



EOSTB005 **TOYOTA**
Stablizer Kit Toyota Nissan
ISU MAZ STABKIT (THIN) T



EOSTB006 **TOYOTA**
Stablizer Kit Toyota HCE
HLX STABKIT (THICK)



EOSTB007 **TOYOTA**
Stablizer Kit Toyota HCE
HLX STABKIT (THICK)



EOSTB008 **TOYOTA**
Stablizer Kit Venture



EOBH101 **TOYOTA**
BUSH UC TOY VENT
STALL 1.5 5K



EOBH102 **TOYOTA**
BUSH LC TOY CRLLA
CNQST FWD 1.



EOBH07 **TOYOTA**
BUSH GLB TOY HLX
YN55(SET OF5PC)



Bushes (Rubber & P.U.)



TOYOTA



EOBH502 **TOYOTA**
BUSH LC OY QUAN INYATI FRT IN



EOBH107 **TOYOTA**
BUSH LC TOY CRLA
FWD 1.3 1.6 INN



EOBH325 **TOYOTA**
OEM No.:
BUSH STB TOY CMRY CRESS VENT



EOBH515 **TOYOTA**
OEM No.:
BUSH LC TOY CRLA FWD 1.3 1.6 INN



EOBH108 **TOYOTA**
OEM No.:
BUSH SHK TOY HLX 1.8 2.0 2.2 2.4 2.7 -05



EOBH326 **TOYOTA**
OEM No.: 33521092362
BUSH LC TOY CMRY FRT INN



EOBH114 **TOYOTA**
OEM No.:
BUSH STB TOY HCE 2.2 SUPER 16



EOBH329 **TOYOTA**
OEM No.:
BUSH LC TOY HLX 1.8 2.0 98- FRT INN



EOBH331 **TOYOTA**
OEM No.: 51920SAA015
BUSH LC TOY CRLA 130 160 180
FRT INN



EOBH345 **TOYOTA**
OEM No.:
BUSH UC TOY QUAN 2.5D 2.7 REAR INN



EOBH348 **TOYOTA**
OEM No.:
BUSH LC TOY YARIS 1.0 1.3 05- FRT



EOBH350 **TOYOTA**
OEM No.: 6Q0199851AJ
BUSH STB TOY HLX FORTU 05- 2X4 FRT



Bushes (Rubber & P.U.)



TOYOTA - VOLKSWAGON



EOBH351 **TOYOTA**
OEM No.:
BUSH STB TOY HLX FORTU 05- 4X4 FRT



EOBH352 **TOYOTA**
OEM No.:
BUSH STB TOY CRLLA
140I 160I 180I 02-08



EOBH538 **TOYOTA**
OEM No.:
BUSH UC TOY COND 1.8 2.4 3.0 FRT OUT



EOBH354 **TOYOTA**
OEM No.:
BUSH LC TOY AVAN 1.3 1.5 FRT INN



EOBH355 **TOYOTA**
OEM No.:
BUSH LC TOY AVAN 1.3 1.5 RR OUT



EOBH540 **TOYOTA**
OEM No.:
BUSH TB TOY QUAN 2.5 2.7 05-



EOBH356 **TOYOTA**
OEM No.:
BUSH UC TOY HLX VIGO FORT INN+ OUT



EOBH357 **TOYOTA**
OEM No.:
BUSH LC TOY HLX VIGO FORT FRT



EOBH358 **TOYOTA**
OEM No.: 91AB3A262AA
BUSH SHK TOY HLX VIGO FORT RR UPP



EOBH360 **TOYOTA**
OEM No.:
BUSH SHK TOY FORT HLX VIGO D4D LWR RR



EOBH27 **VOLKSWAGON**
OEM No.:
BUSH STB VW GLF
JETT 1 1.6 1.8



EOBH65 **VOLKSWAGON**
OEM No.:
BUSH LC VW GLF
JETT II 1.3 1.4



Bushes (Rubber & P.U.)



VOLKSWAGON



EOBH103 VOLKSWAGON
BUSH LC VW GLF
JETT 1.3 1.5 1.



EOBH104 VOLKSWAGON
BUSH LC VW GLF JETT



EOBH105 VOLKSWAGON
BUSH LC VW GLF JETT
Polyurathane



EOBH317 VOLKSWAGON
OEM No.: 191407182
BUSH LC VW GLF JETT II 1.3 1.6 1.8 2.0



EOBH328 VOLKSWAGON
OEM No.: 191407181
BUSH LC VW GLF JETT II III AUDI A3 -03



EOBH346 VOLKSWAGON
OEM No.:
BUSH LC VW GLF JETT V VI AUDI A3



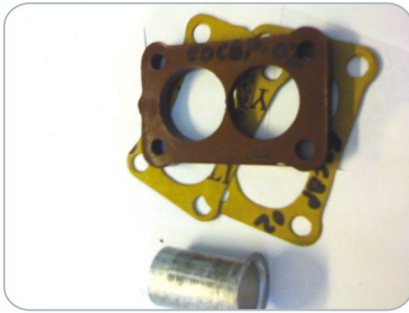
EOBH347 VOLKSWAGON
OEM No.:
BUSH LC VW GLF JETT V VI AUDI A3



EOBH503 VOLKSWAGON
OEM No.: 6Q0407182A
BUSH LC VW POLO 1.4 1.9 TDI SEAT FRT



Carburetor Parts



NISSAN CARBURETOR KIT
NISSAN 1400
EO Part No.: EOC001



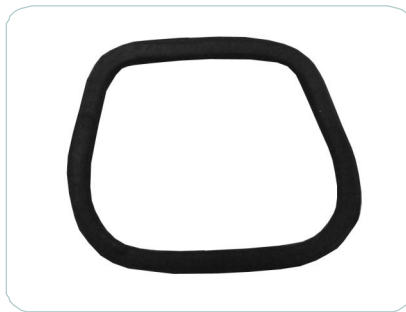
NISSAN CARBURETOR BASE PLATE
1600 1TON
EO. Part No.: EOC002



TOYOTA CARBURETOR COVER
SMALL ZOLA
EO Part No.: EOC003



TOYOTA CARBURETOR COVER
BIG ZOLA
EO Part No.: EOC004



TOYOTA CARBURETOR COVER SEAL
TOY Y-SERIES
EO Part No.: EOC005



TOYOTA CARBURETOR BASE PLATE
ZOLA WITH COPPER PIPE
EO Part No.: EOC006



TOYOTA CARBURETOR BASE
PLATE TOY CRESSIDA
EO Part No.: EOC007



TOYOTA WITH PIPE &
PLATE TOYOTA 4Y
EO Part No.: EOC008



Door & Body Parts



INYATI HINGE BRKT SLI DOOR
LOWER INYATI
EO Part No.: EODB001



INYATI HINGE BRKT SLI DOOR
CENTRE INYATI
EO Part No.: EODB002



INYATI HINGE BRKT SLI DOOR
UPPER INYATI
EO Part No.: EODB003



INYATI DOOR HANDLE SLI
INYATI INNER
EO Part No.: EODB004



INYATI DOOR HANDLE SLI
INYATI OUTER
EO Part No.: EODB005



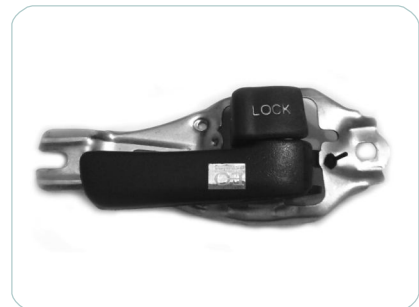
INYATI DOOR HANDLE FRT INYATI LH
OUTER
EO Part No.: EODB006



INYATI DOOR HANDLE FRT INYATI RH
OUTER
EO Part No.: EODB007



INYATI DOOR HANDLE FRT INYATI LH
INNER
EO Part No.: EODB008



INYATI DOOR HANDLE FRT INYATI RH
INNER
EO Part No.: EODB009



NISSAN DOOR LOCK MEACHNAISM.
NISSAN E-20 SLIDING DOOR
EO Part No.: EODB010



NISSAN DHSLIDING NISSAN
E-20 INNER
EO Part No.: EODB011



NISSAN DHSLIDING NISSAN
E-20 OUTER
EO Part No.: EODB012



Door & Body Parts



NISSAN DOOR HNDL NISS E20
LH FRT OUT
EO Part No.: EODB013



NISSAN SLD. DOOR BRAKET,
NISSAN E-20, AUT TYPE
EO. Part No.: EODB014



TOYOTA BUMPER CORNER TOYOTA
HCE Y LH FRT
EO Part No.: EODB015



TOYOTA BUMPER CORNER TOYOTA
HCE Y RHFRT
EO Part No.: EODB016



TOYOTA BUMPER CORNER TOYOTA
HCE Y LH REAR
EO Part No.: EODB017



TOYOTA BUMPER CORNER TOYOTA
HCE Y RH REAR
EO Part No.: EODB018



TOYOTA AA0012 EXH BKT TOY Y-SER
(SMALL)
EO Part No.: EODB019



TOYOTA EXHAUST BRAKET LARGE
ZOLA, MANIFOLD
EO Part No.: EODB020



TOYOTA DOOR LOCK MECHANISM
INYA SLI DOOR
EO Part No.: EODB021



TOYOTA DOOR LOCK MECH TOYOTA
Y-SER SLI/DOOR REAR
EO Part No.: EODB022



TOYOTA DOOR LOCK MEACHNAISM.
TOYOTA. HI-ACE Y SERIES
EO Part No.: EODB023



TOYOTA DOOR LOCK MECH HILUX
YN SER RH
EO Part No.: EODB024



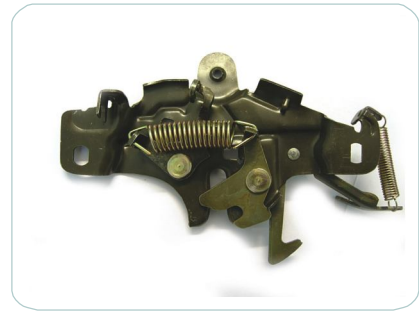
Door & Body Parts



TOYOTA DOOR LOCK MECH HILUX
YN SER LH
EO Part No.: EODB025



TOYOTA DOOR LOCK MEACHNAISM.
TOY. Y SERIES SLI. DOOR WITH CABLE
EO. Part No.: EODB026



TOYOTA BONET CATCHER
MECHANISM HI-LUX YN
EO Part No.: EODB027



TOYOTA DOOR STRIKER LOCK PLATE
TOYOTA. Y SERIES
EO Part No.: EODB028



TOYOTA DOOR STRIKER LOCK
PLATE PIN TOYOTA. Y SERIES
EO Part No.: EODB029



TOYOTA BRAKETS SLI. DOOR
TOYOTA. Y-SER. LOWER
EO Part No.: EODB030



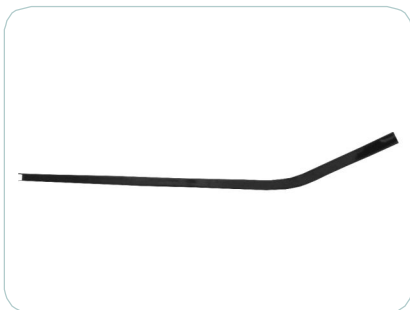
TOYOTA HINGE TOYOTA. HI-ACE
MIDDLE Y-SER. SLI. DOOR
EO Part No.: EODB031



TOYOTA SLIDING RAILING
HI ACE UPPER
EO Part No.: EODB032



TOYOTA SLIDING RAILING HI
ACE MIDDLE
EO Part No.: EODB033



TOYOTA SLIDING RAILING
HI ACE LOWER
EO Part No.: EODB034



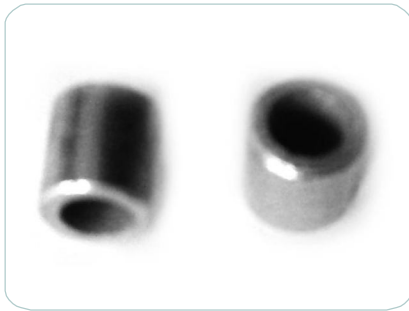
TOYOTA DOOR LOCK MEACHNAISM.
TOYOTA. HI-ACE Y-SERIES FRONT
EO Part No.: EODB035



TOYOTA DOOR LOCK MEACHNAISM.
TOYOTA. HI-ACE Y-SERIES FRONT
EO Part No.: EODB036



Door & Body Parts



TOYOTA DOOR ROLLER SLEEVE
EO Part No.: EODB037



TOYOTA WINDOW CATHER ZOLA
EO. Part No.: EODB038



TOYOTA HINGE FRT DOOR TOYOTA
Y-SER LH (UPP) RH (LWR)
EO Part No.: EODB039



TOYOTA HINGE FRT DOOR TOYOTA
Y-SER RH (UPP) LH (LWR)
EO Part No.: EODB040



TOYOTA HINGE FRT DOOR TOYOTA
HLX CRLLA LH LWR
EO Part No.: EODB041



TOYOTA HINGE FRT DOOR TOYOTA
HLX CRLLA RH LWR
EO Part No.: EODB042



TOYOTA HINGE FRT DOOR TOYOTA
HLX CRLLA LH UPP
EO Part No.: EODB043



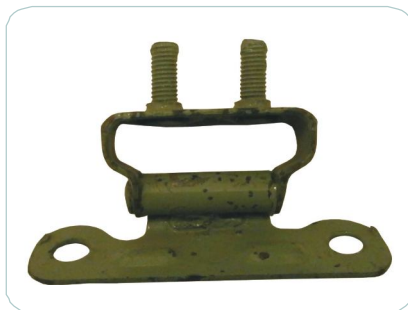
TOYOTA HINGE FRT DOOR TOYOTA
HLX CRLLA RH UPP
EO Part No.: EODB044



TOYOTA HINGE F/DOOR TOYOTA.
HI-LUX (4PC)
EO Part No.: EODB045



TOYOTA HINGE TAIL GATE TOYOTA
Y-SER RH 84-
EO Part No.: EODB046



TOYOTA HINGE TAIL GATE TOYOTA
Y-SER LH 84-
EO Part No.: EODB047



TOYOTA BRAKETS-TYPE ZOLA
EO Part No.: EODB048



Door & Body Parts



TOYOTA HINGE BKT SLI DR UPP
TOYOTA Y-SER (SAMOOSA)
EO Part No.: EODB049



TOYOTA HINGE BKT SLI DR LWR
TOYOTA Y-SER (STRAIGHT)
EO Part No.: EODB050



TOYOTA SLIDING BRAKET QUANTOM
EO Part No.: EODB051



TOYOTA HINGE BKT SLI DR UPP
TOYOTA QUANTOM (1XROLLER)
EO Part No.: EODB052



TOYOTA CABLE SLIDING DOOR ZOLA
EO Part No.: EODB053



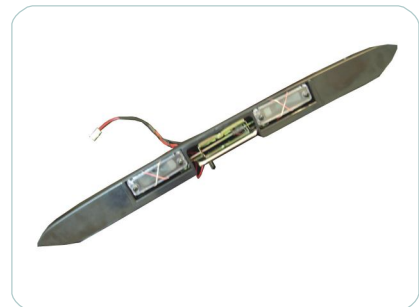
TOYOTA BONNET CABLE, UNIVERSAL
EO Part No.: EODB054



TOYOTA ADJ. HAND BRAKE CABLE
(BOW AND ARROW)
EO Part No.: EODB055



TOYOTA DOOR HANDLE SLIDING
TOYOTA. Y SERIES OUTER
EO Part No.: EODB056



TOYOTA LIGHT, FOR NUMBER PLATE,
VENTURE
EO Part No.: EODB057



TOYOTA DOOR HANDLE FRONT OUT
RH TOYOTA. Y SERIES
EO Part No.: EODB058



TOYOTA DOOR HNDL TOY Y-SER
LH FRT OUT
EO Part No.: EODB059



TOYOTA DOOR HANDLE FRONT
OUTER RHTOYOTA. VENTURE
EO Part No.: EODB060



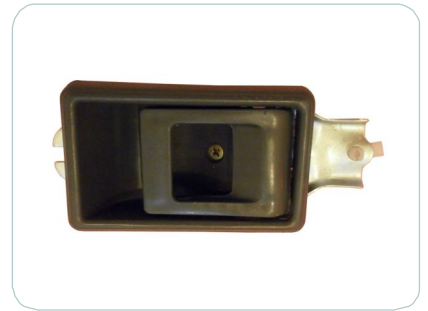
Door & Body Parts



TOYOTA DOOR HANDLE FRONT OUT
LH TOYOTA. VENTURE
EO Part No.: EODB061



TOYOTA DOOR HNDL TOYOTA
Y-SER LH INNER
EO. Part No.: EODB062



TOYOTA DOOR HNDL TOY
Y-SER RH INNER
EO Part No.: EODB063



TOYOTA DOOR HNDL SLI TOY
Y-SER INN
EO Part No.: EODB064



TOYOTA DOOR HNDL SLI TOY Y-SER
INN (GREY)
EO Part No.: EODB065



TOYOTA DOOR HNDL TOYOTA
HCE S10 FRT RH
EO Part No.: EODB066



TOYOTA DOOR HNDL TOYOTA
HCE S10 FRT LH
EO Part No.: EODB067



TOYOTA BRAKETALTERNATOR
UPPER YELLOW
EO Part No.: EODB068



TOYOTA ALTERNATOR BKT TOY Y-SER
LWR (BOSCH TYPE)
EO Part No.: EODB069



TOYOTA ALTERNATOR BKT TOYOTA
Y SER LWR (JAP TYPE)
EO Part No.: EODB070



TOYOTA ACC SPARE WHEEL LOCK
TOYOTA Y-SER
EO Part No.: EODB071



UNIVERSAL DOOR HNDL UNIV
TAIL GATE
EO Part No.: EODB073



Door & Body Parts



UNIVERSAL DHL-TYPE CANOPY + KEY
EO Part No.: EODB074



UNIVERSAL DOOR HNDL UNI T-TYPE
CANOPY W/KEY
EO Part No.: EODB075



VOLKSWAGON DHSLIDING VW
MICROBUS INNER
EO Part No.: EODB076



VOLKSWAGON DOOR HNDL VW
MICRO OUT SLIDING + KEY
EO Part No.: EODB077



Electrical Parts & Accessories



ISUZU IGN WIRE SET ISU WFR
EO Part No.: EOEPA001



MAZDA IGN WIRE SET MAZ 323
FWD (FRD0104)
EO. Part No.: EOEPA002



MAZDA IGN WIRE SET
MAZ 626/FE/F6 (LMZ0)
EO Part No.: EOEPA003



MITSUBISHI PLUG CORD SETL300,
MIT.806-180
EO Part No.: EOEPA004



NISSAN HEAD LAMP SWITCH 4PIN
NISSAN 1400/E-20
EO Part No.: EOEPA005



NISSAN HEAD LAMP SWITCH 6 PIN
NISSAN E-20, 1400
EO Part No.: EOEPA006



NISSAN PLUG CORD SET
NISSAN A 1400
EO Part No.: EOEPA007



NISSAN PLUG CORD SETNISSAN E-20
EO Part No.: EOEPA008



SPEAKER WIRE SPEAKER WIRE
(30 meter roll)
EO Part No.: EOEPA009



TOYOTA SOLENOID CONTACT
TOYOTA HLX 2.2 2.4 PETROL
EO Part No.: EOEPA010



TOYOTA SOLENOID CONTACT
TOYOTA Y-SERIES 84-
EO Part No.: EOEPA011



TOYOTA SOLENOID CONTACT
TOY HLX 2.2 2.4 DSL
EO Part No.: EOEPA012



Electrical Parts & Accessories



TOYOTA SOLONOID CONTACT
LANDCRUISER
EO Part No.: EOEP013



TOYOTA DISTRIBUTOR PIG TAIL WIRE
EO. Part No.: EOEP014



TOYOTA IGN WIRE SET TOYOTA
Y-SER ELECTRONIC
EO Part No.: EOEP015



TOYOTA PLUG CORD SET
TOYOTA MANUAL
EO Part No.: EOEP016



TOYOTA IGN WIRE SET
TOY CRLLA 2T 3T
EO Part No.: EOEP017



TOYOTA SEAL TOYOTA Y-SER
PLUG TUBE SEAL
EO Part No.: EOEP018



UNIVERSAL TOGGLE SWITCH - 2 WAY
EO Part No.: EOEP022



UNIVERSAL TOGGLE SWITCH - 3 WAY
EO Part No.: EOEP023



UNIVERSAL PUSH PULL SWITCH
SMALL
EO Part No.: EOEP024



UNIVERSAL PLUG TUBE WITH SEAL
ALUMINIUM
EO Part No.: EOEP025



UNIVERSAL PLUG TUBE WITH
SEAL STEEL
EO. Part No.: EOEP026



EO Part No.: EOEP027



Starter Repair Kits



S.No.	VEHICLE	EO Part No.	Fitment / Model
1.	UNIVERSAL	EOEPA028	STARTER KIT LUCAS S90 12V
2.	UNIVERSAL	EOEPA029	STARTER KIT FORD ESCORT 12V
3.	UNIVERSAL	EOEPA030	STARTER KIT 9M90 W/O GROMMET
4.	UNIVERSAL	EOEPA031	STARTER KIT M50 THICK BRUSH
5.	UNIVERSAL	EOEPA032	STARTER KIT M50G THIN BRUSH
6.	UNIVERSAL	EOEPA033	STARTER KIT M35J/K 12V
7.	UNIVERSAL	EOEPA034	LUCAS 3M100
8.	UNIVERSAL	EOEPA035	STARTER KIT BOSCH BSX157 158
9.	UNIVERSAL	EOEPA036	BOSCHBMW5+ 7MEL200SERIES
10.	UNIVERSAL	EOEPA037	STARTER REPAIR KIT BOSCH AUDI
11.	UNIVERSAL	EOEPA038	STARTER KIT VW BEETLE KOMBI
12.	UNIVERSAL	EOEPA039	STARTER KIT BMW 528 535 7-SER BOSCH
13.	UNIVERSAL	EOEPA040	STARTER KIT PEU 404 504
14.	UNIVERSAL	EOEPA041	STARTER KIT HILUX 2.2 2.4 DSL
15.	UNIVERSAL	EOEPA042	STARTER KIT TOY CRLLA 1200/1.8
16.	UNIVERSAL	EOEPA043	N'DEUSO TOYOTAOTA HILUX DIESEL
17.	UNIVERSAL	EOEPA044	N'DEUSO FORDXR3'
18.	UNIVERSAL	EOEPA045	STARTER KIT HLX 2Y 3Y 4Y 12V
19.	UNIVERSAL	EOEPA046	STARTER KIT MITSU MAZDA NISS
20.	UNIVERSAL	EOEPA047	NISSAN1600 + ISUZUKB20
21.	UNIVERSAL	EOEPA048	STARTER REPAIR KIT
22.	UNIVERSAL	EOEPA049	STARTER KIT NISS PULSAR
23.	UNIVERSAL	EOEPA050	LUCAS M35STATER REPAIR KIT WITH GROMMET



Engine Parts



FIAT ENGINE T COVER FIAT UNO
1100 (2PC)
EO Part No.: EOE001



FORD ENG PUSH ROD FORD 3.0L V6
EO Part No.: EOE003



FORD ENGINE T COVER FORD
COURIER 2.2
EO Part No.: EOE004



HONDA PULLEY HONDA
EO Part No.: EOE005



INYATI CRANK PULLEY INYATI
EO Part No.: EOE006



TOYOTA ENGINE T COVER TOYOTA
CRLA 4AF (3PC)
EO Part No.: EOE008



TOYOTA ENGINE TIMING COVER
TOYOTA COROLLA 2E FWD
EO Part No.: EOE009



TOYOTA ENG CRANK PULLEY
TOY CRLA 2E
EO Part No.: EOE010



TOYOTA ENGINE CRANK PULLEY
TOYOTA CRLA 4A 4AF (DOUBLE)
EO Part No.: EOE011



TOYOTA PULLEY TOYOTA
HILUX 2L
EO Part No.: EOE012



TOYOTA PULLEY QUANTOM
EO Part No.: EOE013



TOYOTA DIPSTICK & TUBE
TOY HIACE 84-
EO. Part No.: EOE014



Flanges & Coupling



BEDFORD J-6 GEAR BOX COUPLING
Spline 23, Seal Size 51.1
EO Part No.: EOCP16



BEDFORD J-6 Centre Joint Coupling
Spline 10, Seal Size 55.65
EO Part No.: EOCP17



BEDFORD J-6 PINION COUPLING
Spline 16, Seal Size 63.57
EO Part No.: EOCP18



DAIHATSU PINION COUPLING
Spline 19, Seal Size 50
EO Part No.: EOCP15



MERCEDES OM 402
OEM No.: 3364100030 Spline 22
EO Part No.: EOCP13



MERCEDES OM 335
OEM No.: 3354100130 Spline 26
EO Part No.: EOCP14



MITSUBISHI FLANGE
OEM No.: 27111-775 MO Spline 25, Seal Size 42
EO Part No.: EOCP08



MITSUBISHI CANTER PS 120
Spline 24, Seal Size 50
EO Part No.: EOCP19



NISSAN PINION COUPLING Z24
Spline 29, Seal Size 42
EO Part No.: EOCP11



NISSAN GEAR BOX COUPLING Z24
Spline 26, Seal Size 40
EO Part No.: EOCP12



PEYKAN Differential Coupling Peykan
Spline 10, Seal Size 38
EO Part No.: EOCP01



TOYOTA LANDCRUISER
OEM No.: 33309-60060 Spline 19, Seal Size 48
EO Part No.: EOCP02



Flanges & Coupling



TOYOTA LANDCRUISER
OEM No.: Spline 19, Seal Size 48
 33309-60041 **EO Part No.:** EOCP03



TOYOTA LANDCRUISER
OEM No.: Spline 27, Seal Size 38
 41204-35040 **EO Part No.:** EOCP04



TOYOTA LANDCRUISER
OEM No.: Spline 27, Seal Size 38
 41204-60030 **EO Part No.:** EOCP05



TOYOTA LANDCRUISER
OEM No.: Spline 30, Seal Size 41
 33309-35091 **EO Part No.:** EOCP06



TOYOTA HILUX
OEM No.: Spline 30, Seal Size 41
 33309-35100 **EO Part No.:** EOCP07



TOYOTA KIJANG
OEM No.: Spline 23, Seal Size 38
 41204-20030 **EO Part No.:** EOCP09



TOYOTA TOYOTA HIACE
OEM No.: Spline 27, Seal Size 52.3
EO Part No.: EOCP20



TOYOTA RINO / DYNA
OEM No.: Spline 27, Seal Size 38
 37304-36030 **EO Part No.:** EOCP10



Flywheel Rings



Cars and Light Commercial Vehicles

OUR Part No.	EO CTL No.	O.E.M. No.	VEHICLE	OD mm	ID mm	THICK mm	TEETH
F14	E05050	-	DAIHATSU DL-R1 V22	318	288	15	104
F40	-	-	DAIHATSU MIRA	248	220	8	109
F44	-	-	DAIHATSU CHARADE	240	220	8	109
F46	-	-	DAIHATSU CHARADE	248	220	8	96
F51	-	-	DAIHATSU MIRA	265	237	8	103
F6	-	-	FORD V 6 3L	315	285	9.5	121
F9	-	-	FORD XR3 Bantham+ 2.0L	286	258	9	135
F24	-	-	HYUNDAI H100	304	271	9.5	120
F3	E05130	9-94419602-0	ISUZU TF TFR SERIES	305	247	9	108
F15	-	8-971175-902-0	ISUZU NPR/NKR	390	355.85	15	128
F19	-	-	ISUZU F161 (LUV)	301	269	15	108
F27	-	-	ISUZU ELF 250	375	345	15	122
F52	-	-	ISUZU 4HF1	420	389	15	138
F50	-	-	KIA PRIDE	272	247	8	105
F49	-	-	MARUTI 800	244	247	9	96
F5	-	-	MAZ B-SER 86, for Courier	293	264	9.5	112
F17	-	-	MAZADA 323	271	249	8	105
F23	-	-	MAZDA B2000	288	265	9	112
F35	-	-	MAZDA T 3000 D	355	324	13	138
F43	-	-	MAZDA TC	255	231	8	98
F48	-	-	MAZDA 1600	293	259	9	112
F60	-	-	MAZDA 323	288	259	10	112
F63	E05141	136311502	MAZDA T 3500/T 3000	356	324	13	138
F7	E05170	MD024812	MAZDA T 3500/T 3000	282	256	10	110
F10	E05165	ME002056	MAZDA T 3500/T 3000	348	308	19	114
F11	E05168	MD030629	MAZDA T 3500/T 3000	271	245.5	8	106
F29	-	ME012548	Mitsubishi PAS 120 N/M (Canter)	348	316	15	114
F61	-	ME002056	Mitsubishi PS New Model	348	308	19	114
F64	E05161	ME012509	Mitsubishi CANTER	337	304	15	110
F66	E05167	MD000612	Mitsubishi T 120	231	245	10	110
F1	E05196	12312-61000	NISSAN-L 18	305	275	12.5	120
F2	E05191	12312-18000	NISSAN-B12/A 14	270	240	10	105
F25	-	-	NISSAN B 12	274	240	10	105
F45	-	-	NISSAN SD22	302	273	12	99
F47	-	-	NISSAN TD 27	315	283	12	103
F53	-	-	NISSAN	242	215	10	95
F58	-	-	NISSAN SENTRA	272	247	11	105
F59	-	-	NISSAN TRUCK	393	264	18	129
F62	-	-	NISSAN Z 24 (Cut Type)	305	275	12.5	120
F65	E05193	12312-09600	NISSAN J 15	295	263	12	15
F12	E05212	13453-87184	SUZUKI S 89	265	237	8	103
F18	-	-	SUZUKI SK410	216	244	9	96
F20	-	-	SUZUKI F161 (LUC)	295	263	9	115
F21	-	-	SUZUKI SF413	258	223	9	100
F31	-	12620-79210	SUZUKI ST100	243	218.5	9	96
F4	-	13453-2010	TOYOTA 2Y, 3Y HIACE	294	259	10	115
F22	-	-	TOYOTA 12R	307	284	9	125
F34	-	-	TOYOTA DYNA 14B	330	280	15	110
F41	-	-	TOYOTA 2E	271	237	9	107
F57	-	-	TOYOTA 2E	270	246	8.5	106
F16	-	-	-	307	279	12	101
F42	-	-	-	287	263	9	135
F55	-	-	-	302	271	9	108





Fuel & Oil Pump Parts



NISSAN FUEL PUMP SPACER NISSAN
EO Part No.: EOFOP001



TOYOTA FUEL PUMP SPACER
TOYOTAOTA
EO. Part No.: EOFOP002



FIAT FPSPACER FIAT
EO Part No.: EOFOP003



FIAT FPSPACER FIAT
EO Part No.: EOFOP004



TOYOTA OIL PUMP STRAINER
TOYOTA HIACE HLX
EO Part No.: EOFOP005



Head Gasket, Full Kits



S.No.	VEHICLE	EO Part No.	Fitment / Model
1.	FORD	EOHGK001	GASKET CYL HEAD FORD 2.0L OHC
2.	FORD	EOHGK002	GASKET CYL HEAD FORD EST 1.6 FWD XR3
3.	FORD	EOHGK003	GASKET CYL HEAD FORD LSRMET1.5 B5
4.	HONDA	EOHGK004	GASKET CYL HEAD HONDA EV EW
5.	ISUZU	EOHGK005	GASKET CYL HEAD ISU 4ZDI
6.	MAZDA	EOHGK006	GASKET CYL HEAD MAZ B1600 NA
7.	MAZDA	EOHGK007	GASKET CYL HEAD MAZ 323 FWD E3 E5
8.	MAZDA	EOHGK008	GASKET CYL HEAD MAZ FE
9.	MAZDA	EOHGK009	GASKET CYL HEAD MAZ MRTH F2 626 F8
10.	MAZDA	EOHGK010	GASKET CYL HEAD MAZ B3
11.	MITSUBISHI	EOHGK011	GASKET CYL HEAD MIT CNTR 2L 4G63
12.	NISSAN	EOHGK012	GASKET CYL HEAD NISS L18 E20 1800
13.	NISSAN	EOHGK013	GASKET CYL HEAD NISS A14 1400 LDV
14.	NISSAN	EOHGK014	GASKET CYL HEAD NISS SENT E13 E15
15.	NISSAN	EOHGK015	GASKET CYL HEAD NISS SENGINEA14DS 1400
16.	NISSAN	EOHGK016	GASKET CYL HEAD NISS SENT GA16DS
17.	NISSAN	EOHGK017	HEAD GASKET FULL KIT L18
18.	NISSAN	EOHGK018	HEAD GASKET FULL KIT E13
19.	NISSAN	EOHGK019	HEAD GASKET FULL KIT Z24
20.	TOYOTA	EOHGK020	GASKET
21.	TOYOTA	EOHGK021	GASKET
22.	TOYOTA	EOHGK022	GASKET CYL HEAD 3Y 1Y 2Y HIACE HILUX
23.	TOYOTA	EOHGK023	GASKET CYL HEAD TOYOTA CRESS 22R
24.	TOYOTA	EOHGK024	GASKET CYL HEAD TOYOTA CRL 13002E 2E-LU
25.	TOYOTA	EOHGK025	GASKET
26.	TOYOTA	EOHGK026	GASKET CYL HEAD TOYOTA 4Y HCE HLX
27.	TOYOTA	EOHGK027	GASKET
28.	TOYOTA	EOHGK028	GASKET CYL HEAD TOYOTA CRLLA 4A-F
29.	TOYOTA	EOHGK029	GASKET
30.	TOYOTA	EOHGK030	GASKET CYL HEAD TOYOTA CRLLA FWD 4AFE
31.	TOYOTA	EOHGK031	HEAD GASKET FULL KIT 1Y-2Y-3Y
32.	TOYOTA	EOHGK032	HEAD GASKET FULL KIT 22R
33.	TOYOTA	EOHGK033	HEAD GASKET FULL KIT 2E
34.	TOYOTA	EOHGK034	HEAD GASKET FULL KIT 4Y
35.	TOYOTA	EOHGK035	HEAD GASKET FULL KIT 4AFE



Other Gasket



S.No.	VEHICLE	EO Part No.	Fitment / Model
1.	BMW	EOGK001	GASKET JJ-089 SUMP BMW
2.	BMW	EOGK002	GASKET JJO-104 SUMP BMW
3.	BMW	EOGK003	GASKET JN-297 VC BMW M20 B20
4.	CHEVROLET	EOGK004	GASKET JA-455 ME CHEV. 230, 250, 4200
5.	CHEVROLET	EOGK005	GASKET JA-456 ME CHEV 153
6.	CHEVROLET	EOGK006	GASKET JN-209 VC CHEV 230, 250
7.	CHEVROLET	EOGK007	GASKET JN-210 VC CHEV 120, 141, 153, OPC
8.	CHEVROLET	EOGK008	GASKET KK-009 FLANG CHEV
9.	FIAT	EOGK009	GASKET JN-667 VC FIEAT UNO 91
10.	FORD	EOGK010	GASKET HA-232 MF FORD 1600
11.	FORD	EOGK011	GASKET HA-370 MF FORD
12.	FORD	EOGK012	GASKET HC-070 SUMP FORD 1600 RWD
13.	FORD	EOGK013	GASKET HC-285 SUMP FORD CRTN
14.	FORD	EOGK014	GASKET HC-440 SUMP FORD 1600 RWD
15.	FORD	EOGK015	GASKET JKA-466 FORD
16.	FORD	EOGK016	GASKET JA-613 MF FORD 1300 1000 INL
17.	FORD	EOGK017	GASKET JC-034 MF FORD 1300, 1600
18.	FORD	EOGK018	GASKET JC-042 MF FORD 1300, 1600 CVH
19.	FORD	EOGK019	GASKET JE-241 FORD
20.	FORD	EOGK020	GASKET JE-719 FLANGE FORD EST FWDXR
21.	FORD	EOGK021	GASKET JJ-348 SUMP FORD F WE CVH
22.	FORD	EOGK022	GASKET JM-464 VC FORD VG 3.0L
23.	FORD	EOGK023	GASKET JM-478 VC FORD 1600 83
24.	FORD	EOGK024	GASKET JM-510 VCFORD CRTNSIER Z.OL
25.	FORD	EOGK025	GASKET JN-229 VC FORD EST SAPP SIERR
26.	FORD	EOGK026	GASKET JN-332 VC FORD 1300, 1600, 80
27.	FORD	EOGK027	GASKET JN-620 VC FORD SIERRA 2.OL
28.	HONDA	EOGK028	GASKET JC-534 MF HONDA 13
29.	HONDA	EOGK029	GASKET JJ-309 SUMP HONDA BALL. 1.3.1 F
30.	ISUZU	EOGK030	GASKET HA-313 MF ISU G-161, G-180, G-200
31.	ISUZU	EOGK031	GASKET JC-684 MF ISU 42CI
32.	ISUZU	EOGK032	GASKET JJ-358 SUMP ISU 4 Z B1
33.	ISUZU	EOGK033	GASKET JN-191 VC ISU G 161
34.	ISUZU	EOGK034	GASKET JN-634 VC ISU 4Z B1
35.	ISUZU	EOGK035	GASKET JN-707 VC ISU 4 JAI
36.	MAZDA	EOGK036	GASKET JC-400 MF MAZ FE / F6 G EXH
37.	MAZDA	EOGK037	GASKET JC-401 MAZ FE / F6 INT
38.	MAZDA	EOGK038	GASKET JE-021 FLANGE MAZ 323 RWD TO
39.	MAZDA	EOGK039	GASKET JE-101 MAZADA
40.	MAZDA	EOGK040	GASKET JE-401 FLANGE MAZ B 1600 B 1800 NA VC
41.	MAZDA	EOGK041	GASKET JE-728 FLANG MAZ 323 FWD E3 E
42.	MAZDA	EOGK042	GASKET JF-062 FLANG MAZ
43.	MAZDA	EOGK043	GASKET JH-040 SUMP MAZ 323 TC
44.	MAZDA	EOGK044	GASKET JJ-149 SUMP MAZ 32
45.	MAZDA	EOGK045	GASKET-268 SUMP MAZ FE, F6 RZ



Other Gasket



S.No.	VEHICLE	EO Part No.	Fitment / Model
46.	MAZDA	EOOGK046	GASKET JJ-354 SUMP MAZ FO RD B3 B6
47.	MAZDA	EOOGK047	GASKET JM-019 VC MAZDA MA
48.	MAZDA	EOOGK048	GASKET JN-396 VC MAZ 323 EWD E3, E5
49.	MAZDA	EOOGK049	GASKET JN-628 VC MAZ 323
50.	MAZDA	EOOGK050	GASKET JN-692 VC MAZ F2
51.	MITSUBISHI	EOOGK051	GASKET JC-611 MF MIT COLT 4G 62
52.	MITSUBISHI	EOOGK052	GASKET JE-052 FLANG MIT COLT 4 G 52
53.	MITSUBISHI	EOOGK053	GASKET JJ-274 SUMP MIT 44, 62, 4G 63
54.	MITSUBISHI	EOOGK054	GASKET JN-496 VC MIT 4G 62
55.	NISSAN	EOOGK055	GASKET HA-371 MF NISS SENT E-15, E-18
56.	NISSAN	EOOGK056	GASKET HA-365 MF NISS E-13, E-15
57.	NISSAN	EOOGK057	GASKET HA-372 MF NISS E-151, E-165, SENT
58.	NISSAN	EOOGK058	GASKET HA-421 VEG. 1800 – BM-360
59.	NISSAN	EOOGK059	GASKET HC-259 SUMP NISS A-12, A-14, 1400
60.	NISSAN	EOOGK060	GASKET HC-442 SUMP NISSENT PLSR
61.	NISSAN	EOOGK061	GASKET JA-007 ME NISS L-18
62.	NISSAN	EOOGK062	GASKET JA-009 ME NISS 1200 J15
63.	NISSAN	EOOGK063	GASKET JA-010 ME NISS 1200 A 12
64.	NISSAN	EOOGK064	GASKET JA-011 ME NISS 1200 A12
65.	NISSAN	EOOGK065	GASKET JC-133 NISSAN Z22
66.	NISSAN	EOOGK066	GASKET JC-163 MF MAX ESF WD
67.	NISSAN	EOOGK067	GASKET JC-316 MF NISS CAZ
68.	NISSAN	EOOGK068	GASKET JC-806 FLANG NISS TO25
69.	NISSAN	EOOGK069	GASKET JE-027 FLANGE NISS L24, L26
70.	NISSAN	EOOGK070	GASKET JF-031 FLANGE NISS SENT E-15
71.	NISSAN	EOOGK071	GASKET JE-337 FLANGE NISS SKY CA 20
72.	NISSAN	EOOGK072	GASKET JE-627 FLANG NISS
73.	NISSAN	EOOGK073	GASKET JH-005 SUMP NISS E
74.	NISSAN	EOOGK074	GASKET JJ-371 VC NISS A12, A14, 1400
75.	NISSAN	EOOGK075	GASKET JM-008 NISSAN A12
76.	NISSAN	EOOGK076	GASKET JN-433 VC NISS SKY 20 GL GLE
77.	NISSAN	EOOGK077	GASKET JN-494 VC NISS SEN TE 13, E 15
78.	OPEL	EOOGK078	GASKET JC-086 MF OPEL KDT T MON 1600
79.	OPEL	EOOGK079	GASKET JC-155 MF OPEL 2.0 L CHV-12
80.	OPEL	EOOGK080	GASKET JC-282 MF OPEL KOTT MON 1800
81.	OPEL	EOOGK081	GASKET JC-283 MF OPEL KOTT MON 161
82.	OPEL	EOOGK082	GASKET JC-709 MF OPEL KDT, T MONZ 1600
83.	OPEL	EOOGK083	GASKET JC-824 MF OPEL KDT 1 1.6
84.	OPEL	EOOGK084	GASKET JE-119 FLANGE OPEL 1.6 1.8
85.	OPEL	EOOGK085	GASKET JE-120 FLANG OPEL 1600, 1800
86.	OPEL	EOOGK086	GASKET JJ-120 SUMP OPEL K DTT 1300
87.	OPEL	EOOGK087	GASKET JJ-200 SUMP OPEL K DTT. 1300
88.	OPEL	EOOGK088	GASKET JJ-385 SUMP OPEL. 8.2
89.	OPEL	EOOGK089	GASKET JN-372 VC OPEL KDT T 1300
90.	OPEL	EOOGK090	GASKET JN-453 VC OPEL KDT T. 1.6 1.8



Other Gasket



S.No.	VEHICLE	EO Part No.	Fitment / Model
91.	OPEL	EOGK091	GASKET JN-626 VC OPEL MONZA 1600
92.	OPEL	EOGK092	GASKET JN-693 VC OPEL
93.	PEUGEOT	EOGK093	GASKET JE-387 FLANG PEU 404, 504
94.	TOYOTA	EOGK094	GASKET JA-053 ME TYOY CRLLA RWD 2737
95.	TOYOTA	EOGK095	GASKET JB-980 MF TOY HCE, HLX 12 R
96.	TOYOTA	EOGK096	GASKET JC-116 TYT A / 2AL / 4 AL
97.	TOYOTA	EOGK097	GASKET JC-185 MF TOY HLX Z LL 22 EXH
98.	TOYOTA	EOGK098	GASKET JC-215 TYT 21R
99.	TOYOTA	EOGK099	GASKET JC-313 MF TOY 18 R
100.	TOYOTA	EOGK100	GASKET JC-371 MF TOY 18 R
101.	TOYOTA	EOGK101	GASKET JC-383 MF TOY 18 R EXH
102.	TOYOTA	EOGK102	GASKET JC-410 MF TOY CRESS HLX21R 81
103.	TOYOTA	EOGK103	GASKET JC-438B MF TOY HCF HLX Y SER
104.	TOYOTA	EOGK104	GASKET JC-438S MF TOY HCE HLXY SER
105.	TOYOTA	EOGK105	GASKET JC-559 TOY CRLA A FWD 2E
106.	TOYOTA	EOGK106	GASKET JC-578 MF TOY C RLLA 4 AGE
107.	TOYOTA	EOGK107	GASKET JC-579 MF TOY CRLA 4A
108.	TOYOTA	EOGK108	GASKET JC-584 MF TOY CRESS ZZR SHIEL
109.	TOYOTA	EOGK109	GASKET JC-880 TYT 4 AF
110.	TOYOTA	EOGK110	GASKET JC-881 MF TOY CRLLA
111.	TOYOTA	EOGK111	GASKET JC-888 MF TOY HLX CRESS 21 R
112.	TOYOTA	EOGK112	GASKET JE-012 TOY FLENGE
113.	TOYOTA	EOGK113	GASKET JE-013 TOY FLENGE
114.	TOYOTA	EOGK114	GASKET JE-015 TOY FLENGE
115.	TOYOTA	EOGK115	GASKET JE-017 TOY R4 FLENG
116.	TOYOTA	EOGK116	GASKET JE-050 FLANGE TOY CRLLA RWD 3K
117.	TOYOTA	EOGK117	GASKET JE-124 TOYOTA
118.	TOYOTA	EOGK118	GASKET JE-619 FLANGE TOY CRESS HLX 21F
119.	TOYOTA	EOGK119	GASKET JH-041 TYT 2T / 3T / 3Y / 4Y
120.	TOYOTA	EOGK120	GASKET JJ-150 SUMP TOY HLXL 2L
121.	TOYOTA	EOGK121	GASKET JJ-322 SUMP TOY CR E3/21R/22R
122.	TOYOTA	EOGK122	GASKET JM-025 VC TOYOTA CRLA A 4K
123.	TOYOTA	EOGK123	GASKET JM-028 VC TOY HCE HLX 12 R
124.	TOYOTA	EOGK124	GASKET JM-029 VC TOY HCE HL X 18 R
125.	TOYOTA	EOGK125	GASKET JM-054 VC TOY CRLA AZ 2T 3T
126.	TOYOTA	EOGK126	GASKET JN-185 VC TOY HLX CRESS 21 R
127.	TOYOTA	EOGK127	GASKET JN-356 VC TOY CRLA AFWD 4 AL
128.	TOYOTA	EOGK128	GASKET JN-532 VC TOY 2C
129.	TOYOTA	EOGK129	GASKET JN-567 VC TOY HLXL
130.	TOYOTA	EOGK130	GASKET JN-598 VC TOY CRLA AFWD 4A
131.	TOYOTA	EOGK131	GASKET JN-706 VC TOY CRLA 4 AF
132.	VOLKSWAGON	EOGK132	GASKET JB-439 MF WW GLFJ
133.	VOLKSWAGON	EOGK133	GASKET JC-243 MF XW GLF JE TT
134.	VOLKSWAGON	EOGK134	GASKET JC-261 MF VW MIRGO 19ZZ25
135.	VOLKSWAGON	EOGK135	GASKET JE-160 FLANGE VWG LF JETT 1.3, 1.6



Other Gasket



S.No.	VEHICLE	EO Part No.	Fitment / Model
136.	VOLKSWAGON	EOOGK136	GASKET JE-668 FLANG VWLF JETT FOX
137.	VOLKSWAGON	EOOGK137	GASKET JE-904 FLANGE VWG LF JETT 1.3
138.	VOLKSWAGON	EOOGK138	GASKET JJ-184 VW PA 27
139.	VOLKSWAGON	EOOGK139	GASKET JM-154 VC VWGLF 1300
140.	VOLKSWAGON	EOOGK140	GASKET JN-378 VC VW GLS JETT 1.3, 1.6
141.	-	EOOGK141	GASKET HA-234 MF
142.	-	EOOGK142	GASKET JC-683 MF ISU 4 ZBI 42 CI
143.	-	EOOGK143	GASKET JD-214
144.	-	EOOGK144	GASKET JE-117 FLANGE
145.	-	EOOGK145	GASKET JE-400
146.	-	EOOGK146	GASKET JH-200 SUMP STD RE
147.	-	EOOGK147	GASKET JJ-084 SUMP STO RE
148.	-	EOOGK148	GASKET JJ-094
149.	-	EOOGK149	GASKET JM-539
150.	-	EOOGK150	GASKET JN-447 VC VU
151.	-	EOOGK151	GASKET JN-647
152.	-	EOOGK152	GASKET GM-2165 MANIFOLD
153.	-	EOOGK153	GASKET GV-4093 TAPPED
154.	-	EOOGK154	GASKET GF-5042 SILENCER PACKING
155.	-	EOOGK155	GASKET JC-281 (GM 2059)
156.	-	EOOGK156	GASKET JC-493 (GM 2077)
157.	-	EOOGK157	GASKET JC-779 (GM 2103)
158.	-	EOOGK158	GASKET JA-769 (GM 2026)
159.	-	EOOGK159	GASKET JB-590 (GM 2036)
160.	-	EOOGK160	GASKET JB-820 (GM-2038)
161.	-	EOOGK161	GASKET JC-085 (GM 2044)
162.	-	EOOGK162	GASKET JH-021 (GP 3012)
163.	-	EOOGK163	GASKET JJ-453 (GP 3055)
164.	-	EOOGK164	GASKET RC-0150 VALEMOLD 1.5 MM
165.	-	EOOGK165	GASKET RC-0151 VALEMOLD 0.4 MM
166.	-	EOOGK166	GASKET RC-16 RUBB CORK 1.5MM
167.	-	EOOGK167	GASKET RC-24 RUB. CORK 2.4 MM
168.	-	EOOGK168	GASKET RC-32 RUB CORK 3.0 MM
169.	-	EOOGK169	GASKET RC-45 RUB CORK 4.5 MM
170.	-	EOOGK170	GASKET RC-50 HEL GAS 0.8 MM
171.	-	EOOGK171	GASKET RC-51 HEL GAS 1.5 MM
172.	-	EOOGK172	GASKET RC-52 HEL 3.0 MM



Hoses (Air, Water, Fuel)



TOYOTA HOSE AIR CLEANER
TOY Y-SER (TACH)
EO Part No.: EOH001



TOYOTA RAD PIPE TOYOTA Y-SER
METAL BLACK
EO. Part No.: EOH002



TOYOTA TOYOTA HLX AIR HOSE
EO Part No.: EOH003



TOYOTA TOYOTA RAV4 AIR HOSE
EO Part No.: EOH004



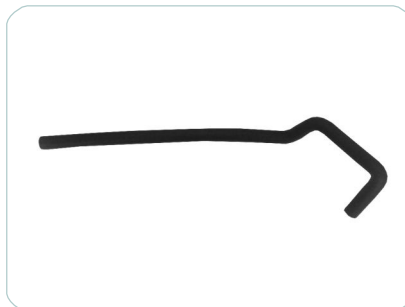
TOYOTA RAD HOSE TOY HCE
UPR 84-87 HLX 78-
EO Part No.: EOH005



TOYOTA RAD HOSE
TOY HCE LWR 84-87
EO Part No.: EOH006



TOYOTA RAD HOSE TOYOTA
HCE LWR 84-87 UPP 87-
EO Part No.: EOH007



TOYOTA HOSE BREATHER PIPE
TOYOTA Y SERIES
EO Part No.: EOH008



TOYOTA HOSE BREATHER PIPE
TOYOTA Y SERIES
EO Part No.: EOH009



TOYOTA HEATER PIPE TOY Y-SER
(TOP)BENT METAL
EO Part No.: EOH010



TOYOTA HOSE FUEL TANK
TOY HCE Y-SER (VH0200)
EO Part No.: EOH011



Mountings



AUDI - VOLKSWAGEN - BEDFORD - BMW



EOMTG165 **AUDI, VOLKSWAGEN**
Engine Mounting Right **AUDI ,80,**
OEM No.: 893-199-381 **PASSAT**



EOMTG364 **AUDI**
OEM No.: 1J0412331C
STRUT MTG AUDI A3 98-03



EOMTG365 **AUDI**
OEM No.: 8J0412331
STRUT MTG AUDI A3 03-
VW GLF JETT 04-



EOMTG673 **BEDFORD**
Engine Mounting Rear **BEDFORD J4,J6**
OEM No.: 6328287



EOMTG674 **BEDFORD**
Engine Mounting **BEDFORD J4,J6**
OEM No.: 1-713004



EOMTG675 **BEDFORD**
Engine Mounting Front **BEDFORD J4,J6**
OEM No.: 6331954



EOMTG296 **BMW**
OEM No.: 3002371104
G/BOX MTG BMW 3-SER 79-



EOMTG314 **BMW**
OEM No.: 31331124508
STRUT MTG BMW E36 316 318 325 328



EOMTG318 **BMW**
OEM No.: 11 81 1 132 321
ENG MTG BMW 320 325 520 R+L



EOMTG326 **BMW**
OEM No.: 33521092362
STRUT MTG BMW 3-SER REAR



EOMTG340 **BMW**
OEM No.: 22116779970
ENG MTG BMW 3-SER RH+LH



EOMTG590 **BMW**
OEM No.: 31331139452
STRUT MTG BMW 3 + 5 SER FRT 83-96



Mountings



BMW - CHEVROLET - CITROEN - DAEWOO



EOMTG129 **BMW**
Transmission Mounting 116i,118i,120d,120i,
316,316i,318i,318ti,318ti, 320d,320i,323Ci,323i,325Ci,
325i,325tds,325ti, 328,330Ci,330d,330i,520i,523i,525i,
528i,530d, 530i,535i,540i,728i,740i,M3,M5,Z3,Z4



EOMTG650 **BMW**
Propshaft Coupling
BMW 3-SERIES BIG HO



EOMTG595 **BMW**
OEM No.: 31331090467A
STRUT MTG BMW
1-SER 3-SER 5-SER FRT



EOMTG241 **CHEVROLET**
Engine Mounting
CHEVROLET



EOMTG242 **CHEVROLET**
Engine Mounting
CHEVROLET



EOMTG246 **CHEVROLET**
Buffer
CHEVROLET



EOMTG250 **CHEVROLET**
Engine Mounting
WITH NUT



EOMTG251 **CHEVROLET**
Engine Mounting
WITH BOLT



EOMTG252 **CHEVROLET**
Clutch Boot Chevelle, EL, Camino,
OEM No.: 50521 Pontiac, GTO,
2 Door Hard Top Convertable



EOMTG245 **CHEVROLET**
Engine Mounting **BUICK**
CHEVROLET, BUICK



EOMTG218 **CITROEN**
Mounting CITROEN
OEM No.: 96033565



EOMTG248 **DAEWOO**
Engine Mounting
DAEWOO



Mountings



DAEWOO - OPEL - FIAT - DAF - DODGE - FORD



EOMTG180 **DAEWOO, OPEL**
 Engine Mounting Left Cielo, Espero,
OEM No.: 90250434 Lanos I, II,
 Kadett, Monza



EOMTG232 **DAF**
 Cabin Mounting F2800, F3300, F3600
OEM No.: 663981



EOMTG243 **DODGE**
 Radiator Mounting
DODGE



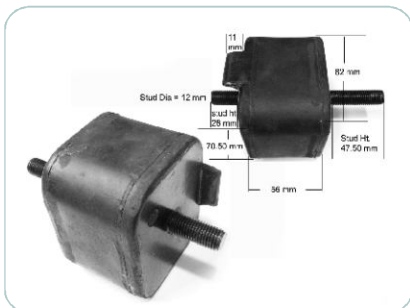
EOMTG130 **FIAT**
 Strut Mounting Rear UNO
OEM No.: 7561789



EOMTG135 **FIAT**
 Engine Mounting Front UNO
OEM No.: 7567856



EOMTG136 **FIAT**
 Engine Mounting Right UNO
OEM No.: 5974777



EOMTG231 **FIAT**
 Mounting TRUCK
OEM No.: KI 07N3



EOMTG66 **FIAT**
 Engine Mounting Left UNO
OEM No.: 7563985



EOMTG297 **FIAT**
OEM No.: M520045E
 STRUT MTG FIAT UNO FRONT



EOMTG322 **FIAT**
OEM No.: 5974775
 G/BOX MTG FIAT UNO 1400 (12MM BOLT HOLE)



EOMTG116 Transmission Mounting
OEM No.: 711F6068/1454275 **FORD**
 CAPRI, CORTINA MKI, MKII, MKIII, MKIV,
 MKV, ESCORT, GRANADA



EOMTG128 **FORD**
 Engine Mounting Front
 BANTAM, MAZDA RUSTLER



Mountings



FORD



EOMTG162 Transmission Mounting **FORD**
OEM No.: UH71-39-340
COURIER, RANGER, MAZDA, 323,
B1600, B1800, B2000, B2200, DRIFTER



EOMTG166 **FORD**
Propshaft Coupling
OEM No.: 772GG4684BA
GRANADA, SIERRA



EOMTG253 **FORD**
Saft Askisi (Centre Bearing Assy)
OEM No.: CB.03514.01.02



EOMTG254 **FORD**
Saft Askisi (Centre Bearing Assy)
OEM No.: CB.03013.01.02 TRANSIT



EOMTG255 **FORD**
Saft Askisi (Centre Bearing Assy)
OEM No.: CB.04516.02.02



EOMTG256 **FORD**
Saft Askisi (Centre Bearing Assy)
OEM No.: CB.04519.09.02 SPRINTER



EOMTG257 **FORD**
Saft Askisi (Centre Bearing Assy)
OEM No.: CB.03013.14.02 TRANSIT YM.M KACIK



EOMTG265 **FORD**
Centre Bearing Rubber Ford Cortina



EOMTG258 **FORD**
Saft Askisi (Centre Bearing Assy)
OEM No.: CB.03013.02.02



EOMTG285 **FORD**
Gearbox MTG MAZ MRTH
FORD SPEC 2200



EOMTG270 **FORD**
Engine Mounting LH & RH
CAPRI ,ESCORT 2000 MK1/2

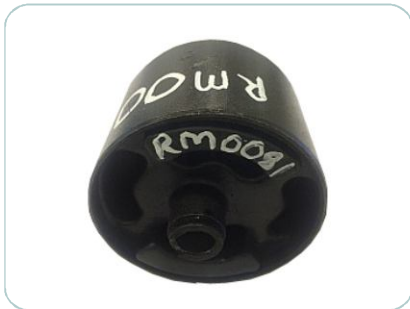


EOMTG516 **FORD**
Lower Control Arm Bush-Front Outer
OEM No.: GA2A-34-46-XA
TELSTAR, TX5, MAZDA, 626, MX6



Mountings

FORD - MAZDA



EOMTG175 **FORD**
OEM No.: B455-39-050
ENG MTG FORD LSR MAZ FWD REAR



EOMTG560 **FORD**
OEM No.: FEM3263
ENG MTG FORD BNTM 1.4 RH



EOMTG332 **FORD**
OEM No.:
STRUT MTG FORD FIES IKON MAZ SOHO -03



EOMTG334 **FORD**
OEM No.:
G/BOX MTG FORD TELS MAZ 626



EOMTG572 **FORD**
OEM No.: 75556038BA
ENG MTG FORD FIES BNTM IKON



EOMTG351 **FORD**
OEM No.: 96FB6P082AD
ENG MTG FORD FIES IKON BNT
MAZ SOHO REAR



EOMTG596 **FORD**
OEM No.:
ENG MTG FORD FIES IKON BNTM FRT



EOMTG03 **FORD, MAZDA**
Engine Mounting Right **OEM No.:** 711F6038AA
CORTINA MKIII, MKIV, MKV, GRANADA, COURIER,
B3400, B2600, B3000, B3400



EOMTG174 **FORD, MAZDA**
Transmission Mounting
OEM No.: B092-39-040A
LASER, METEOR, BANTAM, 323, MIDGE, RUSTLER



EOMTG175 **FORD, MAZDA**
Engine Mounting Right, 323 1.8, 1990-95
OEM No.: B455-39-050
LASER, METEOR, BANTAM, 323, MIDGE, RUSTLER



EOMTG176 **FORD, MAZDA**
Engine Mounting Right
OEM No.: B092-39-050
LASER, METEOR, BANTAM, 323, MIDGE, RUSTLER



EOBH517 **FORD, MAZDA**
Lower Control Arm Bush - Front Outer
OEM No.: GA2A-34-46-YA
TELSTAR, TX5, MAZDA, 626, MX6



Mountings



FORD - MAZDA - HONDA - GMC



EOMTG59 **FORD, MAZDA**
Stabiliser Bar Bush - Rear
OEM No.: H115-39-040
LASER, METEOR, 323, MIDGE, 626



EOMTG259 **FORD, MAZDA**
Engine Mounting **KIA**
OEM No.: UR 58 39040B **FORD**



EOMTG260 **FORD, MAZDA**
Engine Mounting Rear **OEM No.:** UH71 39340
RANGER, FIGHTER 4X2



EOMTG261 **FORD, MAZDA**
Engine Mounting Rear **OEM No.:** UH 72 39340
MAGNUM, RANGER, FIGHTER (TURBO)



EOMTG262 **FORD, MAZDA**
Engine Mounting
OEM No.: UH 71 39040B



EOSSP002 **FORD, MAZDA**
Lateral Link MAZ LSR Ford (LON)



EOMTG587 **FORD/MAZDA**
OEM No.: PEM44
ENG MTG FORD EST BNTM
MAZ RUS FRT RH



EOMTG312 **FORD/MAZDA**
OEM No.: SM-6782BC
STRUT MTG FORD LSR MAZ
(2XSTUD) FRT



EOMTG316 **FORD/MAZDA**
OEM No.: SM-6713BA
STRUT MTG FORD LSR BNTM
MET MAZ 323



EOMTG286 **FORD/MAZDA**
OEM No.: 11710-FO020
G/BOX MTG FORD COUR
MAZ B2500 B2600



EOMTG247 **GMC**
Buffer
GMC



EOMTG651 **HONDA**
Engine Mounting **RH**
HON 150I 160I



Mountings



HONDA - HUMMER - HYUNDAI



EOMTG652 HONDA
Engine Mounting LH
HON BALL 150 160I -92



EOMTG37 HONDA
Engine Mounting Front
OEM No.: 50841-SR3-020
BALLADE, CIVIC, CR-V



EOMTG38 HONDA
Engine Mounting Front
OEM No.: 50842-SR3-020
BALLADE, CIVIC



EOMTG372 HONDA
TORQ. ROD
OEM No.: 50830-SM4020
BALLADE, ACCORD 90-98 MT



EOMTG346 HONDA
OEM No.: 50810-SR3-983
ENG MTG HON BALL 150I CIVIC REAR



EOMTG373 HONDA
OEM No.: SM-6713BA
STRUT MTG
HON JAZZ II 1.4 1.5 -08 L+R



EOMTG375 HONDA
OEM No.: 50821-SAA-013
ENG MTG HON JAZZ 1.4 -09 FRT



EOMTG290 HUMMER
Engine Mounting
HUMMER



EOMTG345 HYUNDAI
Engine Mounting H100
OEM No.: 21611-4F100



EOMTG653 HYUNDAI
Engine Mounting
HYUNDAI 2.6 NON-TURBO



EOMTG676 HYUNDAI
Engine Mounting
OEM No.: 21930-25010
Accent, 00-03



EOMTG677 HYUNDAI
Engine Mounting
OEM No.: 21910-25100 Accent, 03-05



Mountings



HYUNDAI - KIA - INYATI - ISUZU



EOMTG678 **HYUNDAI**
Engine Mounting **OEM No.:** 21830-38510
Sonata 02-05, KIA Optima 02-06



EOMTG679 **HYUNDAI**
Engine Mounting **OEM No.:** 21930-2D151
Elantra 1.8, 01-08



EOMTG354 **HYUNDAI**
OEM No.: 54610-25000
STRUT MTG HYUN ACCENT S
COUPE GETZ FRT



EOMTG680 **HYUNDAI**
OEM No.: 21811-4B021
ENG MTG HYUN H100 LDV 97- FRT L+R



EOMTG681 **HYUNDAI/KIA**
Engine Mounting
OEM No.: 21811-5H000
E Mighty LH (72-78)



EOMTG682 **HYUNDAI/KIA**
Engine Mounting
OEM No.: 21812-5H000
E Mighty RH, HD65 (72-78)



EOMTG583 **INYATI**
OEM No.:
G/BOX MTG INYATHI



EOMTG112 **ISUZU**
Engine Mounting Right **OEM No.:** 8944824050
KB160, KB200, KB220, KB230, KB260D,
KB260, KB280DT, KB320



EOMTG281 **ISUZU**
Engine Mounting Right
OEM No.: 8-94225548-2 RH
KB250D, KB280DT



EOMTG119 **ISUZU**
Engine Mounting Left
OEM No.: 8944824050
KB160, KB200,
KB220, KB230,
KB260



EOMTG178 **ISUZU**
Engine Mounting Left
OEM No.: 8-94225549-2 LH
KB250D,
KB280DT



EOMTG230 **ISUZU**
Engine Mounting
OEM No.: 1-53215-057-0
TX55



Mountings



ISUZU



EOMTG274 ISUZU
Engine Mounting Right
KB21-KB44



EOMTG280 ISUZU
Engine Mounting Right
KB29-KB45



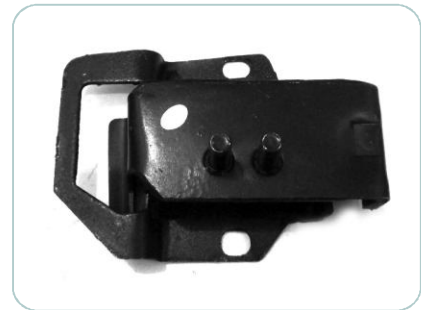
EOMTG654 ISUZU
Engine Mounting
ISUZU RH



EOMTG292 ISUZU
Gearbox Mounting ISUZU
WFR KB + KBD Series



EOMTG656 ISUZU
Engine Mounting RH ISUZU
KBD21 26 41



EOMTG657 ISUZU
Engine Mounting ISUZU RH
KB 160



EOMTG658 ISUZU
Engine Mounting ISUZU
WFR RELAY 1.8 2.0 RH



EOMTG566 ISUZU
AR Engine Mounting ISUZU
KB250D 280 320 LH



EOMTG304 ISUZU
OEM No.: 94229300
G/BOX MTG ISU KB160 KB200 KB250
KB260



EOMTG404 ISUZU
OEM No.: 8-94434-208-1
G/BOX MTG ISU WFR KB KBD-SER



EOMTG566 ISUZU
OEM No.:
ENG MTG ISU KB250D 280 320 LH



EOMTG571 ISUZU
OEM No.: W000-14420
ENG MTG ISU KB250 280 320 RH



Mountings



KIA - CITROEN - LANDROVER - MAZDA



EOMTG578 KIA
OEM No.: I50311K
ENG MTG KIA K2700I L+R



EOMTG233 Mounting KIA, CITROEN
OEM No.: KKY-01-39-040C
KIA , CITROEN



EOMTG234 KIA, CITROEN
Mounting
KIA , CITROEN



EOMTG235 KIA, CITROEN
Mounting
OEM No.: KKY-01-39-050L
KIA , CITROEN



EOMTG236 KIA, CITROEN
Mounting
OEM No.: KKY-01-39-050R
KIA , CITROEN



EOMTG237 KIA, CITROEN
Mounting
OEM No.: 9607170880
KIA , CITROEN



EOMTG238 KIA, CITROEN
Mounting
OEM No.: KKY-01-34-390A
KIA , CITROEN



EOMTG239 KIA, CITROEN
Mounting
OEM No.: 9613237980
KIA , CITROEN



EOMTG163 LANDROVER
Engine Mounting LH & RH
Transmission Mounting
109, 88



EOMTG164 LANDROVER
Engine Mounting LH & RH 88
Transmission Mounting OEM No.: 140K5009



EOMTG249 LANDROVER
Mounting
NRC2053, NRC 2054



EOMTG263 MAZDA
Engine Mounting
L+R MAZ 323



Mountings



MAZDA



EOMTG117
Transmission Mounting
OEM No.: G032-30-040

MAZDA
626



EOMTG659
Engine Mounting
Mazda 626 1.6 2.0 & EGI LH

MAZDA



EOSSP017
Lateral Link MAZ 323 FWD LH

MAZDA



EOSSP049
LAT LINK FORD
LSR MAZ Adjustable

MAZDA



EOSSP018
Lateral Link
MAZ 323 FWD LH, PU

MAZDA



EOSSP020
Lateral Link
MAZ 323 LSRMET Adjustable

MAZDA



EOMTG272
Lateral Link MAZ 323 LSR RH

MAZDA



EOSSP021
Lateral Link MAZ 323 LSR LH

MAZDA



EOMTG36
Transmission Mounting
ASTINA, ETUDE

MAZDA



EOMTG73
Engine Mounting OEM No.: GC76-39050
626, 1.6, 2.0, 2.0 D, 83-87

MAZDA



EOMTG683
Engine Mounting OEM No.: G030-39040
626, 1.6, 2.0, 2.0 D, 83-87

MAZDA



EOMTG684
Engine Mounting
OEM No.: W023-39040 T3500

MAZDA



Mountings



MAZDA/FORD - MERCEDES



EOMTG685 Engine Mounting **MAZDA**
OEM No.: G030-39070E
626, 1.6, 2.0, 2.0 D, 83-87



EOMTG686 Engine Mounting **MAZDA**
OEM No.: BR74-39040
Mercury (90-97), Rear Transmission,
Escort Sephia 323, MX3



EOMTG687 **MAZDA**
OEM No.: MP903907
STRUT MTG MAZ AST 180 ETU 160 FRT



EOMTG285 **MAZDA/FORD**
Engine Mounting
OEM No.: S083-39340
Spectron 91-94 2.2 Bus P/Van, Marathon 91-04 2.0 Bus



EOMTG219 **MERCEDES**
Mounting
OEM No.: 2421213



EOMTG220 **MERCEDES**
Mounting
OEM No.: 64524000218, 6452400818



EOMTG221 **MERCEDES**
Mounting
OEM No.: 2421213



EOMTG222 **MERCEDES**
Mounting



EOMTG223 **MERCEDES**
Mounting **OEM No.:** 0002410513,
0002410613, 0002410113



EOMTG224 **MERCEDES**
Mounting
OEM No.: 19873140



EOMTG225 **MERCEDES**
Mounting
OEM No.: 352400417



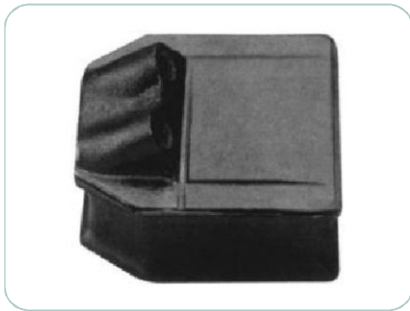
EOMTG226 **MERCEDES**
Mounting
OEM No.: 3875040012



Mountings



MERCEDES - MITSUBISHI



EOMTG227 **MERCEDES**
Mounting
OEM No.: 3022401118, 3022400818



EOMTG07 **MITSUBISHI**
Engine Mounting
MIT L300 1.6 1.8 2.0 +HUSKY



EOMTG109 **MITSUBISHI**
Gear Box Mounting
L 300 HUSKY



EOMTG228 **MITSUBISHI**
Engine Mounting Front
OEM No.: ME011832
4D32



EOMTG229 **MITSUBISHI**
Engine Mounting Rear
OEM No.: ME031964 / ME031960
6D22/6D14-16/FM215



EOMTG660 **MITSUBISHI**
Engine Mounting MIT
COLT LDV PAJERO



EOMTG287 **MITSUBISHI**
Engine Mounting MIT
COLT LDV PAJE 2.5 -04



EOMTG661 **MITSUBISHI**
Gearbox Mounting
MIT COLT LDV 2.6 94-98



EOMTG662 **MITSUBISHI**
Gearbox Mounting MIT
COLT LDV PAJE -98



EOMTG688 **MITSUBISHI**
Engine Mounting **OEM No.:** MB691238
Rear Mirage A/T B2, Gallant 99-03



EOMTG689 **MITSUBISHI**
Engine Mounting
OEM No.: ME018993
Canter FE659 98



EOMTG690 **MITSUBISHI**
Engine Mounting
OEM No.: MK314011 Fuso FH215



Mountings



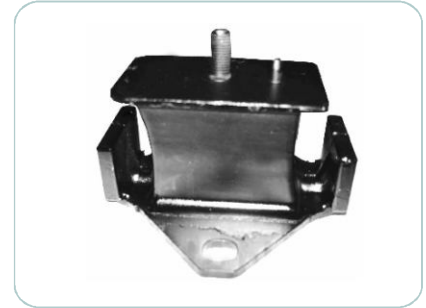
MITSUBISHI - NISSAN



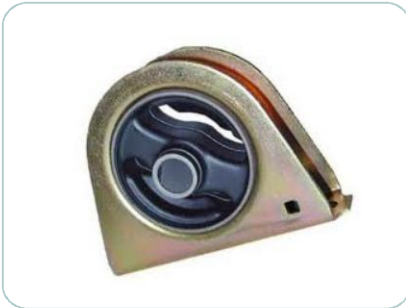
EOMTG691 MITSUBISHI
Engine Mounting
OEM No.: ME 031962 CANTER HD



EOMTG692 MITSUBISHI
Engine Mounting
OEM No.: ME031964 FUSO



EOMTG693 MITSUBISHI
Engine Mounting **OEM No.:** MR995005
TRITON FRT,PAJERO ,MONTERO



EOMTG694 MITSUBISHI
Engine Mounting
OEM No.: MR333578
LANCER,RH 2002-07



EOMTG156 NISSAN
Engine Mounting LH & RH
OEM No.: 11223-H1000
1200, 120Y, 1400



EOMTG202 NISSAN
Engine Mounting Front
OEM No.: 11270-4M400
ALMERA



EOMTG207 NISSAN
Engine Mounting Rear
OEM No.: 11320-50Y11
SABRE, SENTRA



EOMTG217 NISSAN
Mounting **OEM No.:** 11320-4M400
NEO AT,ALMERA



EOMTG23 NISSAN
Engine Mounting Front
OEM No.: 11350-50Y00 SABRE, SENTRA



EOMTG665 NISSAN
Engine Mounting Rear,
Langley, Pulsar



EOMTG666 NISSAN
Engine Mounting Right,
E20



EOMTG271 NISSAN
Transmission Mounting
Nissan 1400 1600



Mountings



NISSAN



EOMTG667 **NISSAN**
Engine Mounting Right,
E20



EOMTG396 **NISSAN**
Engine Mounting
OEM No.: 11210-0M000
FRT RH , SUNNY B13 90



EOMTG668 **NISSAN**
Engine Mounting
L+R NISSAN A14 140Y



EOMTG669 **NISSAN**
Engine Mounting Nissan SKY
2.0 3.0 RH



EOMTG670 **NISSAN**
Engine Mounting Nissan
200 280 78- R+L



EOMTG182 **NISSAN**
Gearbox Mounting Nissan
SENT 87- 1.6 REAR



EOMTG695 **NISSAN**
Engine Mounting
OEM No.: 11321-4M400
REAR , NEO N 16 ,SUNNY B15



EOMTG696 **NISSAN**
Engine Mounting **OEM No.:** 11220-4M412
Sentra 1.8, Sunny, Neo, Almera N16 01



EOMTG697 **NISSAN**
Engine Mounting **OEM No.:** 11220-ED000
CUBE 09-,VERSA 09



EOMTG698 **NISSAN**
Engine Mounting **OEM No.:** 11210-ZK80A
Altima01-06, Murano02-07, Presage03-09, Teana 03-08



EOMTG699 **NISSAN**
Engine Mounting **OEM No.:** 11220-10J00
NISSAN PATROL ,PATROL GR 88-00



EOMTG700 **NISSAN**
Engine Mounting **OEM No.:** 11220-C6000
PATROL 80-06, 84-09 RH, SD33



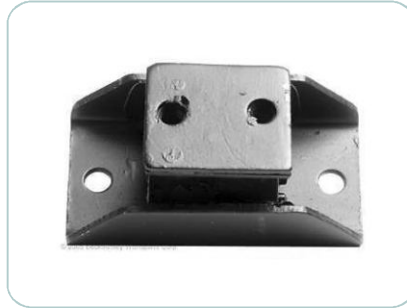
Mountings



NISSAN - MUFFLER SUPPORT



EOMTG701 **NISSAN**
Engine Mounting
OEM No.: 11221-C6000
PATROL 80-06 , 84-09 LH ,SD33



EOMTG702 **NISSAN**
Engine Mounting
OEM No.: 11320-B5000
PICK UP SD22 620,720 ,E20



EOMTG703 **NISSAN**
Engine Mounting
OEM No.: 11320-01J00
PATROL Y60,61 87-02



EOMTG704 **NISSAN**
Engine Mounting
OEM No.: 11320-01G00
Nissan 1400, Pickup, Pathfinder 86-97



EOMTG705 **NISSAN**
Engine Mounting
OEM No.: 11220-VB000
PATROL Y61(TD45/TD42) 97-2006



EOMTG706 **MUFFLER SUPPORT**
Engine Mounting
OEM No.: 20641-U6810
Pickup 92-98, Terrana 92-02, Vanetta 86-95



EOMTG707 **NISSAN**
Engine Mounting **OEM No.:** 11210-6N000
FRT RH, ALMERA 00-06, NEO N16 01- A/T



EOMTG708 **NISSAN**
Engine Mounting **OEM No.:** 11320-50Y10
SUNNY B13 /B14 A/T 90-



EOMTG709 **NISSAN**
Engine Mounting **OEM No.:** 11220-10J07
PATROL / SAFARI Y60 1987-1997



EOMTG273 **NISSAN**
Gearbox Mounting Nissan
A14 1400 140Y



EOMTG148 **NISSAN**
Engine Mounting L/R
OEM No.: 11210-18G01
HARDBODY, PATROL, SANI, TERRONO II



EOMTG182 **NISSAN**
Engine Mounting Rear
OEM No.: 11236-02Y00
SENTRA



Mountings

NISSAN - OPEL



EOMTG21 **NISSAN**
Transmission Mounting
OEM No.: 11321-H1000
1200, 120Y, B120



EOMTG588 **NISSAN**
OEM No.: 54320-50Y12
STRUT MTG NISS SENT 140 160 FRT



EOMTG556 **NISSAN**
OEM No.:
ENG MTG NISS 1-TONN 3.0 4X4 L+R



EOMTG327 **NISSAN**
OEM No.:
ENG MTG NISS SENT 140 LH 92-



EOMTG339 **NISSAN**
OEM No.:
STRUT MTG NISS 1400 -08 FRT



EOMTG570 **NISSAN**
OEM No.: 11320-0M002
ENG MTG NISS SENT 140 160 REAR



EOMTG584 **NISSAN**
OEM No.: 11210-6N000
ENG MTG NISS ALMERA



EOMTG377 **NISSAN**
OEM No.: 8200168073
G/BOX MTG NISS NP200 REN SAN LOG 08-



EOMTG378 **NISSAN**
OEM No.: 8200575641
ENG MTG NISS NP200 REN LOG SAN MEG RR



EOMTG179 **OPEL**
Engine Mounting Right
OEM No.: 90250348 **KADETT**



EOMTG198 **OPEL**
Engine Mounting Left
OEM No.: 90445300
ASTRA, KADETT



EOMTG305 **OPEL**
OEM No.: 0684 283
ENG MTG OPEL AST KDTT 140 160 180 LH



Mountings



OPEL



EOMTG306 OPEL
OEM No.: 90495170
ENG MTG OPEL CORS 130 140 160 LH



EOMTG307 OPEL
OEM No.: 3006820601
ENG MTG OPEL AST KDTT 140 160 RR



EOMTG311 OPEL
OEM No.: FEM3327
ENG MTG OPEL AST KDTT 180 16V RH



EOMTG555 OPEL
OEM No.: 1006820549
ENG MTG OPEL KDTT MON 1.3 1.6 1.8 RR



EOMTG321 OPEL
OEM No.: 3006840257
ENG MTG OPEL KDTT MON 1.3 1.6



EOMTG324 OPEL
OEM No.: 684667
ENG MTG OPEL AST KDTT 140 160 180 RH



EOMTG329 OPEL
OEM No.: 90473837
ENG MTG OPEL COR 130I 140I 160I RR



EOMTG333 OPEL
OEM No.: 24427641
ENG MTG OPEL AST 1.6 1.8 2.0



EOMTG337 OPEL
OEM No.: 9227881
ENG MTG OPEL CORS 1.6 FRT



EOMTG597 OPEL
OEM No.: 90575186
ENG MTG OPEL AST 1.6 1.8 99-04



EOMTG338 OPEL
OEM No.: 24459803
ENG MTG OPEL AS 2.0 -05



EOMTG348 OPEL
OEM No.: 0344 523
STRUT MTG OPEL AST CORS MER FRT



Mountings



OPEL - RENAULT - PEUGEOT - TOYOTA



EOMTG358 OPEL
OEM No.: 1156840645
ENG MTG OPEL CORSA 1.4 160i 1.8



EOMTG368 OPEL
OEM No.: 9227880
ENG MTG OPEL CORS 160I RH FRT



EOMTG303 RENAULT
OEM No.:
EXH MTG REN R2 1.3 1.4



EOMTG161 PEUGEOT
Engine Mounting LH & RH 404
OEM No.: 180713-180721



EOMTG353 RENAULT
OEM No.: 7701207678
STRUT MTG REN MEG SCENIC
GRAND SCENIC FRT



EOMTG100 TOYOTA
Transmission Mounting
OEM No.: 12363-11010
CONQUEST, COROLLA



EOMTG710 TOYOTA
Engine Mounting OEM No.: 12361-61030
FRT, LANDCRUISER FJ75 84-



EOMTG711 TOYOTA
Engine Mounting OEM No.: 12361-68051
FRT, LANDCRUISER HJ70



EOMTG712 TOYOTA
Engine Mounting OEM No.: 12371-15241
REAR, COROLLA, 96-02 ,1.3



EOMTG713 TOYOTA
Engine Mounting
OEM No.: 12361-11160
COROLLA 1.8,GEO, PRIZM 1.6 AE100, 93-02



EOMTG714 TOYOTA
Engine Mounting
OEM No.: 12305-16062
COROLLA AVENSIS 96-02



EOMTG715 TOYOTA
Engine Mounting
OEM No.: 12305-11050
COROLLA 1.3,1.6 , 92-97



Mountings



TOYOTA



EOMTG716 Engine Mounting **TOYOTA**
OEM No.: 12361-21040
COROLLA 02-07, VERSO, 1.4-1.6



EOMTG717 Engine Mounting **TOYOTA**
OEM No.: 12361-22090
COROLLA ,MATRIX 1.8 ,03-08



EOMTG718 Engine Mounting **TOYOTA**
OEM No.: 12361-64380
AVENSIS 2.0 1999-2003, FRONT



EOMTG11 **TOYOTA**
Engine Mounting - Rear
OEM No.: 12371-64120
COROLLA



EOMTG118 **TOYOTA**
Engine Mounting Rear
OEM No.: 12371-15241
COROLLA



EOMTG127 **TOYOTA**
Gear Box Mounting
OEM No.: 12303-18020
HIACE N/M, Quantum



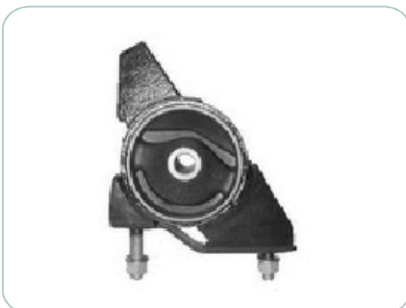
EOMTG134 **TOYOTA**
Engine Mounting Front
OEM No.: 12361-16090 CONQUEST, COROLLA



EOMTG137 **TOYOTA**
Engine Mounting Front
OEM No.: 12361-11100 CONQUEST, COROLLA



EOMTG140 **TOYOTA**
Engine Mounting Rear
OEM No.: 12371-11080 CONQUEST, COROLLA



EOMTG16 **TOYOTA**
Engine Mounting Rear
OEM No.: 12371-15200
CONQUEST, COROLLA



EOMTG167 **TOYOTA**
Transmission Mounting
OEM No.: 12361-39025
HI-ACE, HI-LUX



EOMTG168 **TOYOTA**
Engine Mounting Left
OEM No.: 12371-31040
CRESSIDA, HI-LUX, STALLION, VENTURE



Mountings



TOYOTA



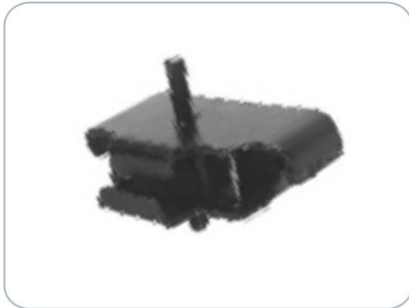
EOMTG169 **TOYOTA**
Transmission Mounting
OEM No.: 12371-33010
COROLLA, HI-LUX, TUV



EOMTG17 **TOYOTA**
Engine Mounting Rear
OEM No.: 12371-11210
CONQUEST, TAZZ, COROLLA



EOMTG170 **TOYOTA**
Transmission Mounting
OEM No.: 12371-34020
COROLLA, HI-LUX, CRESSIDA



EOMTG171 **TOYOTA**
Engine Mounting Left
OEM No.: 12361-60022
LAND CRUISER



EOMTG172 **TOYOTA**
Engine Mounting Left
OEM No.: 12361-61020
LAND CRUISER



EOMTG173 **TOYOTA**
Engine Mounting LH & RH
OEM No.: 12361-38130
CONDOR, HI-LUX, LANDCRUISER



EOMTG183 **TOYOTA**
Engine Mounting Front
CONQUEST, COROLLA



EOMTG184 **TOYOTA**
Engine Mounting Right **OEM No.:** 12362-11070
CONQUEST, TAZZ, COROLLA



EOMTG185 **TOYOTA**
Transmission Mounting **OEM No.:** 12363-15020
CONQUEST, TAZZ, COROLLA



EOMTG186 **TOYOTA**
Engine Mounting Right
OEM No.: 12362-11070



EOMTG187 **TOYOTA**
Engine Mounting Rear
OEM No.: 12371-64130
Corolla AE92, ATM 88-92



EOMTG188 **TOYOTA**
Engine Mounting Left
OEM No.: 12361-35070
CRESSIDA



Mountings



TOYOTA



EOMTG189 TOYOTA
Engine Mounting Left
OEM No.: 12361-35080
CRESSIDA



EOMTG190 TOYOTA
Transmission Mounting
OEM No.: 12371-53050
HI-LUX



EOMTG191 TOYOTA
Engine Mounting Right
OEM No.: 12362-15030
CONQUEST, COROLLA



EOMTG196 TOYOTA
Engine Mounting Rear
OEM No.: 12371-64210
COROLLA



EOMTG197 TOYOTA
Engine Mounting Front
CONQUEST, TAZZ, COROLLA



EOMTG199 TOYOTA
Engine Mounting Front
OEM No.: 12361-74070
CONQUEST, TAZZ, COROLLA



EOMTG200 TOYOTA
Engine Mounting LH
OEM No.: 1656752
DYNA 14B



EOMTG201 TOYOTA
Engine Mounting RH
OEM No.: 1656752
DYNA 14B



EOMTG203 TOYOTA
Rebound Rubber, Bump Stop
OEM No.: 48331-26090 Toyota Hiace, Ineyati



EOMTG204 TOYOTA
Rebound Rubber, Bump Stop
HIACE N/M, Quantum



EOMTG205 TOYOTA
Mounting LH
HIACE N/M, Quantum



EOMTG206 TOYOTA
Mounting RH
HIACE N/M, Quantum



Mountings



TOYOTA



EOMTG210 TOYOTA
Engine Mounting LH
OEM No.: 12362-BZ020 LH
AVANZA F601, 1.3L



EOMTG211 TOYOTA
Engine Mounting RH
OEM No.: 12362-BZ040 RH
AVANZA F601, 1.3L



EOMTG212 TOYOTA
Transmission Mounting
TOYOTA
OEM No.: 12371-BZ011 AVANZA 2004



EOMTG213 TOYOTA
Transmission Mounting
HI-ACE
OEM No.: 12303-72010



EOMTG214 TOYOTA
Engine Mounting
COROLLA
OEM No.: 12361-11160



EOMTG215 TOYOTA
Engine Mounting LH
AVANZA F601, 1.6L (BIG)



EOMTG216 TOYOTA
Engine Mounting RH
AVANZA F601, 1.6L (BIG)



EOMTG24 TOYOTA
Engine Mounting Front
COROLLA
OEM No.: 12361-11180



EOMTG253 TOYOTA
Engine Mounting Right
OEM No.: 12361-39017 HI-ACE, HI-LUX



EOMTG557 TOYOTA
Engine Mounting Toyota
CRLA CONQ 1.6 4AGE RH



EOMTG671 TOYOTA
Engine Mounting
TOYOTA STAL -91



EOMTG302 TOYOTA
Engine Mounting
TOY CRLA 130 96- RH



Mountings



TOYOTA



EOMTG276 **TOYOTA**
Engine Mounting
Corolla 96-02 160 GLE
HI-ACE



EOMTG32 **TOYOTA**
Transmission Mounting
OEM No.: 12303-54020



EOMTG561 **TOYOTA**
Engine Mounting
TOY CRLLA 1.3 -83 LH



EOMTG267 **TOYOTA**
Engine Mounting
TOY CRLLA 140I RUN X 02-



EOMTG278 **TOYOTA**
Engine Mounting
TOY QUAN 2.7I LH+ RH



EOMTG589 **TOYOTA**
Engine Mounting LH
TOYOTA CRLLA CONQ 2E 4AGE 4



EOMTG46 **TOYOTA**
Transmission Mounting
OEM No.: 12371-34030
Cressida, Condor, HI-LUX, Stallion, Venture



EOMTG60 **TOYOTA**
Engine Mounting LH & RH
OEM No.: 12361-54111
CONDOR, HI-LUX, STALLION, VENTURE



EOMTG61 **TOYOTA**
Engine Mounting Left
OEM No.: 12361-71020
CRESSIDA, HI-ACE



EOMTG63 **TOYOTA**
Engine Mounting Front
OEM No.: 12361-16040
CONQUEST, TAZZ, COROLLA



EOMTG83 **TOYOTA**
Engine Mounting Left
OEM No.: 12361-38120
Cressida, Dyna, Condor, Hi-ace, Hi-lux, Stallion, Venture



EOMTG719 **TOYOTA**
Engine Mounting
OEM No.: 12371-75050
HI LUX, RZN 149R , 97-05



Mountings



TOYOTA



EOMTG720 TOYOTA
Engine Mounting
OEM No.: 12371-21021
ECHO, SCION ,YARIS, 00-06, REAR



EOMTG721 TOYOTA
Engine Mounting
OEM No.: 12371-23011
ECHO, SCION, 00-06, YARIS, REAR, 1.5



EOMTG722 TOYOTA
Engine Mounting
OEM No.: 12371-22130
COROLLA, ALTIS, 01-07 A/T, CDE120/NDE120/ZZE12#



EOMTG723 Engine Mounting TOYOTA
OEM No.: 12371-21100
Corolla, Runx, Spacio, Feilder, Premio 00-06



EOMTG724 Engine Mounting TOYOTA
OEM No.: 12361-0L030
Hi Lux, Vigo, Fortuner, Innova 05-11



EOMTG725 Engine Mounting TOYOTA
OEM No.: 12361-17011
LEXUS 95-97 LX450



EOMTG726 TOYOTA
Engine Mounting
OEM No.: 12371-17080
LANDCRUISER 1HZ Diesel HZJ78, HZJ79 8/99-12/06



EOMTG727 TOYOTA
Engine Mounting
OEM No.: 12371-67051
YH112 LH112, GEAR BOX



EOMTG728 TOYOTA
Engine Mounting
OEM No.: 12371-05040
HILUX VIGO ,5LE



EOMTG729 TOYOTA
Engine Mounting
OEM No.: 12371-0L080
HILUX, VIGO A/T 4WD,FORTUNER 2005



EOMTG730 TOYOTA
Engine Mounting
OEM No.: 12371-74460
REAR RAV4(96-00)



EOMTG731 TOYOTA
Engine Mounting
OEM No.: 12361-74300
CORONA 94, CARINA ST 190 92-97



Mountings



TOYOTA



EOMTG732 TOYOTA
Engine Mounting
OEM No.: 12361-74340
CELICA 93-95, RAV4 96-2000



EOMTG733 TOYOTA
Diff. Mounting
OEM No.: 52380-42082
RAV4-SXA10/11 -94-00



EOMTG734 TOYOTA
Muffler Support
OEM No.: 17506-16120
EE101,AE111 COROLLA 93-97



EOMTG735 TOYOTA
Engine Mounting
OEM No.: 12371-17011



EOMTG736 Engine Mounting TOYOTA
OEM No.: 12361-21100
COROLLA NEW ,ALTIS A/T 2007 ,1.6,1.8



EOMTG737 Muffler Support TOYOTA
OEM No.: 12361-22130
COROLLA ZZE 141 ,ZZE122



EOMTG738 TOYOTA
Engine Mounting
OEM No.: 12371-22260
COROLLA ,MATRIX 1.8 ,2009-2013



EOMTG739 TOYOTA
Engine Mounting
OEM No.: 12372-21230
COROLLA ,ALTIS 1.4 ,02-07



EOMTG740 TOYOTA
Control Arm
OEM No.: 12363-74140
CAMRY 96-01



EOMTG741 Engine Mounting TOYOTA
OEM No.: 12361-22020
COROLLA, 01-07 1.4, RUN X 140i,
AVENSIS VERSO 01-09



EOMTG302 TOYOTA
OEM No.:
ENG MTG TOY CRLLA 130 96- RH



EOMTG61 TOYOTA
OEM No.:
ENG MTG TOY CRESS 3T 21R 2Y



Mountings



TOYOTA



EOMTG403 TOYOTA
OEM No.:
ENG MTG TOY CNQST 160I 180I



EOMTG405 TOYOTA
OEM No.:
ENG MTG TOY CRLLA 2E 1.3 RH



EOMTG308 TOYOTA
OEM No.: 12371-74312
ENG MTG TOY CMRY 200 220 94- REAR



EOMTG309 TOYOTA
OEM No.:
ENG MTG TOY CMRY 200 220 FRT



EOMTG310 TOYOTA
OEM No.: 48609-33011
STRUT MTG TOY CMRY 2.0 2.2 3.0 FRT



EOMTG315 TOYOTA
OEM No.: 12372-02060
ENG MTG TOY CRLLA 160 180 TAZZ LH



EOMTG319 TOYOTA
OEM No.:
STRUT MTG TOY CRLLA FWD CNQST



EOMTG589 TOYOTA
OEM No.:
ENG MTG TOY CRLLA CNQST
2E 4AGE 4AL LH



EOMTG557 TOYOTA
OEM No.:
ENG MTG TOY CRLLA
CNQST 1.6 4AGE RH



EOMTG558 TOYOTA
OEM No.: 12362-15030
ENG MTG TOY CRLLA CNQST FWD RH



EOMTG559 TOYOTA
OEM No.:
ENG MTG TOY CRLLA FWD
2AL 4AL GLE GL GLX



EOMTG328 TOYOTA
OEM No.: 2702-32787
STRUT MTG TOY CRLLA
91- 130 160 CNQST TAZZ



Mountings



TOYOTA



EOMTG330 TOYOTA
OEM No.: 48609-12270
STRUT MTG TOY CRLLA 99- 160I 180I FRT



EOMTG331 TOYOTA
OEM No.:
STRUT MTG TOY CRESS
RX70 72 1.8 2.0 2.4 2.6 3



EOMTG335 TOYOTA
OEM No.:
STRUT MTG TOY CRLLA CNQST -95



EOMTG336 TOYOTA
OEM No.: 8J0412331
STRUT MTG TOY CRLLA CNQST 84- FRT



EOMTG591 TOYOTA
OEM No.: 191 199 402 C
ENG MTG TOY HLX 3.0 -05 LH+RH



EOMTG573 TOYOTA
OEM No.: 12371-21100
ENG MTG TOY CRLLA 140I 160I 02-08



EOMTG575 TOYOTA
OEM No.: 12361-21040
ENG MTG TOY CRLLA 160I 180I FRT



EOMTG576 TOYOTA
OEM No.: 12372-21230
ENG MTG TOY CRLLA RUNX LH



EOMTG344 TOYOTA
OEM No.: 12362-15130
ENG MTG TOY CRLLA CNQST TAZZ LH -06



EOMTG347 TOYOTA
OEM No.: 12371-02060
ENG MTG TOY CNQST TAZZ CRLLA 93- REAR



EOMTG592 TOYOTA
OEM No.:
STRUT MTG TOY CRLLA
130 160 180 96- FRT



EOMTG349 TOYOTA
OEM No.:
ENG MTG TOY CONQ
CRLLA 1.6 88-93 LEFT



Mountings



TOYOTA



EOMTG580 TOYOTA
OEM No.:
G/BOX MTG TOY HLX 3.0 00-05



EOMTG581 TOYOTA
OEM No.:
G/BOX MTG TOY HLX VIGO FORTU



EOMTG359 TOYOTA
OEM No.:
STRUT MTG TOY YARIS 1.0 1.3 T1 T3 05-



EOMTG361 TOYOTA
OEM No.: 12372-21150
ENG MTG TOY YARIS 1.3 T3 T3+ SPIRIT 05-



EOMTG366 TOYOTA
OEM No.: 12361-21030
ENG MTG TOY AVEN CRLLA
RUNX 160I FRT



EOMTG367 TOYOTA
OEM No.: 12363-21040
ENG MTG TOY YARIS 1.3 T3 T3+ 05- RR



EOMTG369 TOYOTA
OEM No.:
STRUT MTG TOY FORT HLX VIGO 2.5 3.0 FRT



EOMTG370 TOYOTA
OEM No.:
STRUT MTG TOY RUNX
140 160 CRLLA 140 160 180



EOMTG372 TOYOTA
OEM No.: 12305-0C011
ENG MTG TOY HLX FORT VIGO L+R



EOMTG374 TOYOTA
OEM No.: 12305-0C011
ENG MTG TOY HLX VIGO 2.0 2.7 L+R 05-



EOMTG593 TOYOTA
OEM No.:
ENG MTG TOY CRLLA 160 180 99-LH



EOMTG594 TOYOTA
OEM No.: 12372-02060
ENG MTG TOY CNQST 160 93- LH



Mountings



TOYOTA - UNIVERSAL - AUDI - SKODA - VOLKSWAGEN



EOMTG376 TOYOTA
OEM No.: 12372-02070
ENG MTG TOY CRLLA 160 96- LH



EOMTG317 UNIVERSAL
OEM No.: 357407182
ENG MTG UNIVERSAL (9.50MM BOLT)



EOMTG192 VOLKSWAGEN
Engine Mounting Right
OEM No.: 171-199-214G
GOLF I, JETTA I, CADDY , CITI GOLF, FOX



EOMTG266 VOLKSWAGEN
Engine Mounting L/R
OEM No.: 104-0978
GOLF I, JETTA I, CADDY , CITI GOLF, FOX



EOMTG195 VOLKSWAGEN
Engine Mounting Left GOLF II, JETTA II
OEM No.: 191199402C



EOMTG28 VOLKSWAGEN
Engine Mounting Front OEM No.: 1H0199609K
CITI GOLF, GOLF III, JETTA III, POLO



EOMTG71 VOLKSWAGEN
Transmission Mounting
OEM No.: 171-399-151A
CADDY, CITI, GOLF, GOX, GOLF I, JETTA I



EOMTG193 VOLKSWAGEN, AUDI
Engine Mounting with Plate
Audi, Golf I, Jetta I, Caddy, Citi Golf, Fox



EOMTG264 VOLKSWAGEN
Engine Mounting
VW GLF 1.1 1.3 JETT 1.6



EOMTG208 VOLKSWAGEN, AUDI, SKODA
Carburetor Base Plate, Aluminum OEM No.: 027-129-761A



EOMTG209 VOLKSWAGEN, AUDI, SKODA
Carburetor Base Plate, Rubber



EOMTG401 VOLKSWAGON
OEM No.: 191199381
ENG MTG VW GLF JETT II 1.3 1.6 1.8 LH



Mountings

VOLKSWAGON



EOMTG298 VOLKSWAGON
OEM No.: 191 199 262 A
ENG MTG VW GLF JETT



EOMTG526 VOLKSWAGON
OEM No.: 1H0199609F
ENG MTG VW GLF III POLO VR6 FRT



EOMTG299 VOLKSWAGON
OEM No.: 1H0199262A
ENG MTG VW GLF JETT III POLO RH RR



EOMTG300 VOLKSWAGON
OEM No.: 8A0 199 379 E
ENG MTG VW KOM 2.3 2.5 2.6 AUDI 500



EOMTG585 VOLKSWAGON
OEM No.: 3A0 199 402
ENG MTG VW GLF POLO III LH OD-55



EOMTG536 VOLKSWAGON
OEM No.: 3A0 199 402
ENG MTG VW GLF JETT III VR6 LH OD-70



EOMTG350 VOLKSWAGON
OEM No.: 6Q0199851AS
ENG MTG SEAT IBIZA VW POLO 02- 1.9TDI REAR



EOMTG360 VOLKSWAGON
OEM No.: 6Q0 199 167 DJ
ENG MTG VW POLO 1.6I RH 06-08



EOMTG363 VOLKSWAGON
OEM No.: 6N0 412 331 E
STRUT MTG VW POLO 02-
SEAT IBIZ 06-08



EOMTG586 VOLKSWAGON
OEM No.: 191512333
STRUT MTG VW GLF JETT I III
POLO 81-08 RR LWR



Oil Seals



Size : 35x48x10 mm

AUDI **Model :** TC, CAM, AUDI
Volkswagon, FST, KOMB 2
EO Part No.- EOOS046



Size : 32x47x10 mm

AUDI **Model :** TC CAM PINION AUDI
volkswagon GOLF JETT KOM
EO Part No.- EOOS110



Size : 45x60x08 mm

AUDI **Model :** DRIVE SHAFT AUDI
volkswagon PETKO
EO Part No.- EOOS116



Size : 85x105x12 mm

AUDI **Model :** RM AUDI 100
400 500 2.2
EO Part No.- EOOS167



Size : 22x35x7 mm

AUDI **Model :** OIL SEAL GEARBOX
AUDI VW GLF J
EO Part No.- EOOS083



Size : 40x58x10 mm

BMW **Model :** OIL SEAL GEARBOX
PINION RW BMW
EO Part No.- EOOS043



Size : 90x110x15 mm

BMW **Model :** OIL SEAL RM
BMW 3 5 7-SER
EO Part No.- EOOS066



Size : 34x65x10MR mm

BMW **Model :** OIL SEAL DRIVE
SHAFT BMW 316 3
EO Part No.- EOOS090



Size : 49x62x10 mm

FIAT **Model :** FRONTONT WHEEL
FIAT UNO
EO Part No.- EOOS017



Size : 30x52x7 mm

FIAT **Model :** FRONTONT WHEEL
FIAT UNO 1.1 1.4 90-
EO Part No.- EOOS026



Size : 34x54x10/13.5 mm

FIAT **Model :** REAR WHEEL
FIAT UNG 1100 1400
EO Part No.- EOOS038



Size : 45x55/65x9/14.5 mm

FIAT **Model :** OIL SEAL
FIAT UNO1.1 1.4 LH S
EO Part No.- EOOS186



Oil Seals



Size : 48x59/71.7x10/18 mm

FIAT **Model :** FIAT UNO
SIDE SHAFT S
EO Part No.- E00S187



Size : 20x40x8 mm

FIAT **Model :** FW TATA
TELCO 2.0 TD
EO Part No.- E00S188



Size : 1.625x2.625x0.323 mm

FIAT **Model :** FIAT UNO 1.4
SPIGOT S
EO Part No.- E00S189



Size : 65x82/94x7/13 mm

FORD **Model :** GEARBOX
PINION FORD S
EO Part No.- E00S069



Size : 60x75/85x11 mm

FORD **Model :** FRONTONT WHEEL
FORD COUR KIA MAZ
EO Part No.- E00S002



Size : 50x65x9.5/14 mm

FORD **Model :** FRONTONT WHEEL
FORD COUR MAZ B-SE
EO Part No.- E00S008



Size : 35x58x10 mm

FORD **Model :** FRONTONT WHEEL
FORD XR3 SAPP SIER BNTM MAZ 323
EO Part No.- E00S027



Size : 83x100x9 mm

FORD **Model :** REAR WHEEL
FORD COUR MAZ MRTH
EO Part No.- E00S033



Size : 50x65x9 mm

FORD **Model :** RM FORD LSR MET
BNTM MAZ 323 ETU
EO Part No.- E00S040



Size : 88x108x11 mm

FORD **Model :** FRONT WHEEL
REAR WHEEL FORD HUSKY MIT
EO Part No.- E00S050



Size : 54x70x6/10 mm

FORD **Model :** RM FORD EST
XR3 LSR MET BNTM MAZ
EO Part No.- E00S057



Size : 35x50x8 mm

FORD **Model :** FRONT WHEEL
FORD MAZDA
EO Part No.- E00S101



Oil Seals



Size : 47.6x73.1x10/16 mm

FORD Model : TC CAM FORD
HUSK HYUN H100
EO Part No.- E00S102



FORD Model : RR WHEEL FORD
NISS TOYOTA HLX HCE
EO Part No.- E00S103



FORD Model : TC CAM FORD
CORT COUR MAZ B-SER
EO Part No.- E00S105



Size : 34x48x7 mm

FORD Model : FRONTONT WHEEL
REAR WHEELTC CAM FORD ALFA DAE
EO Part No.- E00S111



FORD Model : TC CAM FORD
LSRMETCOU MAZ 323
EO Part No.- E00S117



FORD Model : GEARBOX FORD
LSR METMAZ 3
EO Part No.- E00S120



Size : 40x54x7 mm

FORD Model : PINION FORD LSR
MET BNTM MAZ 323
EO Part No.- E00S121



FORD Model : RR WHEEL
FORD MAZDA
EO Part No.- E00S129



FORD Model : FRONTONT WHEEL
FORD LSRMETMAZ 323 BAN RUST
EO Part No.- E00S139



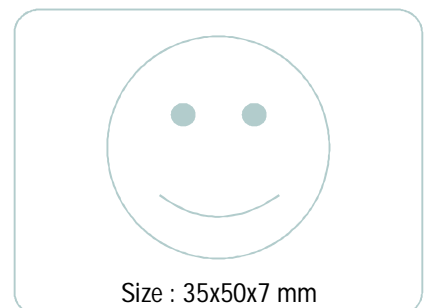
Size : 52x70x9 mm

FORD Model : REAR WHEEL
FRONTONT WHEEL FORD LSRMAZ 323
FRONTONT WHEELD
EO Part No.- E00S154



Size : 40x55x8 mm

FORD Model : FRONT WHEEL
RR MAIN BRG. FORD
EO Part No.- E00S157



Size : 35x50x7 mm

FORD Model : GEARBOX TC CAM
FRONTONT WHEEL BMW FORD
EO Part No.- E00S190

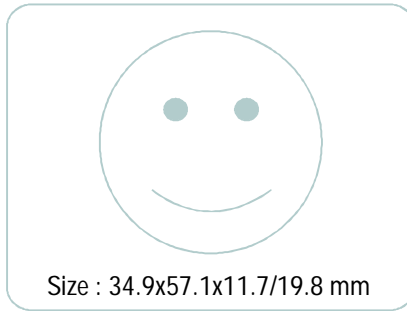


Oil Seals



Size : 42x60x7 mm

FORD Model : TC CAM FORD
FIES LSR MET BNTM
EO Part No.- E00S191



Size : 34.9x57.1x11.7/19.8 mm

FORD Model : REAR WHEEL
FORD BANTHAM
EO Part No.- E00S198



Size : 0.859x1.578x0.297 mm

FORD Model : GEAR BOX
FORD SAPP SIE
EO Part No.- E00S049



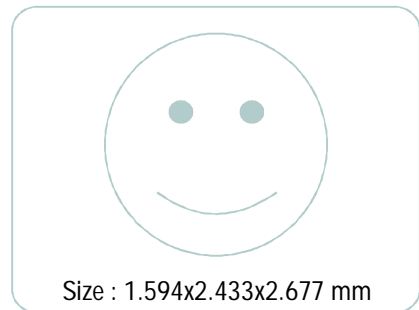
Size : 35x50x11 mm

FORD Model : GEARBOX FRT
RR FORD E
EO Part No.- E00S065



Size : 38x51/58x13/15 mm

FORD Model : GEARBOX
FORD SAPP SIE
EO Part No.- E00S072



Size : 1.594x2.433x2.677 mm

FORD Model : GEARBOX
FORD COUR MAZ
EO Part No.- E00S084



Size : 61x76x12 mm

FORD Model : GEARBOX
FORD CRTNA GR
EO Part No.- E00S085



Size : 88x108x10 mm

FORD Model : TC CAM
FORD COUR MAZ
EO Part No.- E00S092



Size : 51x63x6 mm

FORD Model : RM FORD
EST FOCUS MON
EO Part No.- E00S099

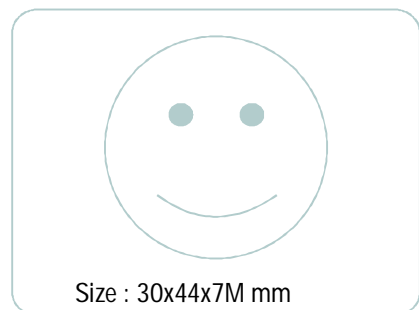


FORD Model : FW FORD
LSR MET BNTM
EO Part No.- E00S106



Size : 60x75x5.9/11.8 mm

FORD Model : GEARBOX
FORD CRTNA ES
EO Part No.- E00S122



Size : 30x44x7M mm

FORD Model : FW FORD
RANG 2.7 OUT
EO Part No.- E00S178



Oil Seals



FORD

Model : TC CAM
FORD LSR MET B
EO Part No.- EOOS199



Size : 45x72.2x7.5/8.5 mm

HONDA

Model : FRONTONT WHEEL
HON BALL 1.3
EO Part No.- EOOS004



Size : 26x42x7 mm

HONDA

Model : OIL SEAL GEARBOX
HON BALL 150
EO Part No.- EOOS094



Size : 42x62x10 mm

HONDA

Model : OIL SEAL RW
BMW 5 7-SER HONDA
EO Part No.- EOOS108



Size : 50x66.5x13/16 mm

HYUNDAI

Model : FRONTONT WHEEL
HYUN ACC ELAN SON MIT TRE
EO Part No.- EOOS020



Size : 30x46x7 mm

HYUNDAI

Model : TC CAM
HYUN VOLVO
EO Part No.- EOOS070



Size : 38x52x6 mm

HYUNDAI

Model : FRONTONT WHEEL
REAR WHEEL HYUN MIT NISS
Volkswagon **EO Part No.-** EOOS100



Size : 72x96x9 mm

HYUNDAI

Model : OIL SEAL
RM HYUN MAZ MIT
EO Part No.- EOOS042



Size : 58x75x9 mm

ISUZU

Model : FRONT WHEEL
ISU KB230 260 280
EO Part No.- EOOS001



Size : 27x43x9 mm

ISUZU

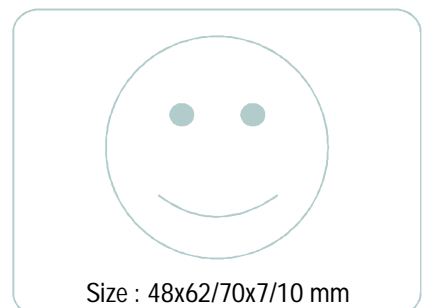
Model : GEARBOX
ISU KB160 200
EO Part No.- EOOS012



Size : 33x55x9 mm

ISUZU

Model : REAR WHEEL
ISU KB KBD 1.6 1.8
EO Part No.- EOOS024



Size : 48x62/70x7/10 mm

ISUZU

Model : FRONTONT WHEEL
ISU KB KBD 1.6 1.8
EO Part No.- EOOS025



Oil Seals



Size : 54x70x7/9.5 mm

ISUZU **Model :** FRONTONT
WHEEL ISU KB44 87-INN
EO Part No.- E00S034



Size : 38x49x8/12 mm

ISUZU **Model :** GEARBOX
ISU KB KBD WFRONT
EO Part No.- E00S107



Size : 30x45x6 mm

ISUZU **Model :** GEARBOX TC
CAM ISU MIT HUSKY
EO Part No.- E00S109



Size : 95x118x10 mm

ISUZU **Model :** RMISU RELAY
WFRONT 1.8.2.0
EO Part No.- E00S153



Size : 35x49.3x12.5 mm

ISUZU **Model :** GEARBOX ISU
KB KBD RELAY 1.6 1.8 2
EO Part No.- E00S158



Size : 40x56x7 mm

ISUZU **Model :** TC CAM
DRIVE GEARBOX ISU U
EO Part No.- E00S183



Size : 50x67x9 mm

ISUZU **Model :** FRONTONT WHEEL
ISU KB 160 200 230 260 280
EO Part No.- E00S185



Size : 40x74x10/19 mm

ISUZU **Model :** PINION
ISU KB KBD 1.6
EO Part No.- E00S052



Size : 40x56x8 mm

ISUZU **Model :** TC CAM
ISU KB WFR NIS
EO Part No.- E00S063



Size : 47.5x70.65x9 mm

LAND/CRUIS **Model :** RW TOY
L/CRUIS STOUT
EO Part No.- E00S044



Size : 60x80x10/16 mm

LANDROVER **Model :** FRONTONT
WHEEL LANDROVER 110 130
EO Part No.- E00S003



Size : 100x120x12 mm

LANDROVER **Model :** RM TOY
MIT LANDROVER
EO Part No.- E00S076



Oil Seals



Size : 37x50.5x7 mm

MAZDA Model : TC CAM
MAZ 323 1.3 2.0
EO Part No.- E00S062



Size : 56x68x11 mm

MAZDA Model : FRONTONT
WHEEL MAZ 626 ETU TELS
EO Part No.- E00S005



Size : 42x55x7 mm

MAZDA Model : GEARBOX REAR
WHEEL MAZ 323 Volkswagon KOMBI
EO Part No.- E00S018



Size : 44x60x7 mm

MAZDA Model : TC CAM MIT
MAZ CLT PAJE
EO Part No.- E00S055



Size : 40x45x5M mm

MAZDA Model : FRONT TC
CAM MAZ 323 1.3 1.4 1
EO Part No.- E00S073



Size : 42x60x10 mm

MAZDA Model : TC CAM MAZ
PEU Volkswagon KOMBI
EO Part No.- E00S115



Size : 42x55x07 mm

MAZDA Model : GEARBOX REAR
WHEEL MAZ 323 volkswagon KOMBI
EO Part No.- E00S123



Size : 42x55x07 mm

MAZDA Model : REAR WHEEL
MAZ 626 1.6 1.8 2.0
EO Part No.- E00S128



Size : 48x70x12 mm

MAZDA Model : TC CAM
MAZ MIT TOYOTA
EO Part No.- E00S160



Size : 85x105x13 mm

MAZDA Model : RM REAR
WHEEL MAZ B-SERIES NISS
EO Part No.- E00S168



Size : 45x65x5 mm

MAZDA Model : FRONTONT WHEEL
MAZ B-SERIES 1.6 1.8 2.0
EO Part No.- E00S172



Size : 27x43x8 mm

MAZDA Model : GEARBOX
MAZ NRTH B-SERIES
EO Part No.- E00S181



Oil Seals



Size : 51x70x11 mm

MAZDA Model : TC CAM
RM MAZ B2200 B
EO Part No.- E00S051



Size : 48x68x10 mm

MAZDA Model : TC CAM MIT
VW MAZ
EO Part No.- E00S067



Size : 32x48x10 mm

MAZDA Model : GEARBOX
BMW MAZ MIT
EO Part No.- E00S118



Size : 40x54x5R mm

MAZDA Model : FW TC CAM
MAZ 323 1.3
EO Part No.- E00S126



Size : 93x114x13 mm

MERCEDES Model : RM MERC
190 200 E220
EO Part No.- E00S041



Size : 27x43x9 mm

MITSUBISHI Model : FRONTONT
WHEEL MIT CLT 2.4 2.5 2
EO Part No.- E00S009



Size : 80x96x9 mm

MITSUBISHI Model : RMMIT
L300 TRE FORD
EO Part No.- E00S021



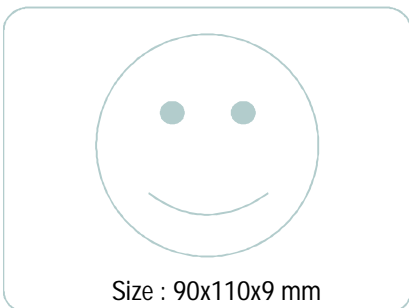
Size : 45x58x9 mm

MITSUBISHI Model : REAR WHEELMIT
L300 FORD HSKY
EO Part No.- E00S022



Size : 68x90x12 mm

MITSUBISHI Model : FRONTONT
WHEEL MIT CNTR 2.5 2.6 3
EO Part No.- E00S030



Size : 90x110x9 mm

MITSUBISHI Model : RM MIT
COLT LDV TOY H
EO Part No.- E00S058



Size : 34x50x7 mm

MITSUBISHI Model : GEAR BOX
MIT COLT NISS
EO Part No.- E00S039



Size : 38x55x9 mm

NISSAN Model : TC CAM
GEARBOX NISS T
EO Part No.- E00S147



Oil Seals



Size : 39x52/58x9/10 mm

NISSAN Model : REAR WHEEL
NISS SENT 1.3 1.6
EO Part No.- E00S006

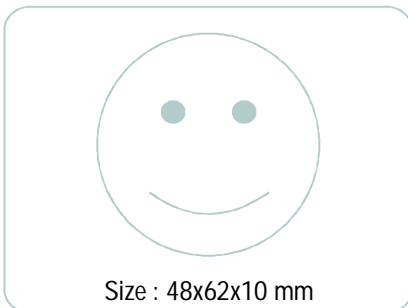


Size : 50x67x11 mm

NISSAN Model : REAR WHEEL
NISS J15 J16 1.5 1
EO Part No.- E00S010



NISSAN Model : FRONTONT WHEEL
NISS SENT 1.4 1.6
EO Part No.- E00S015



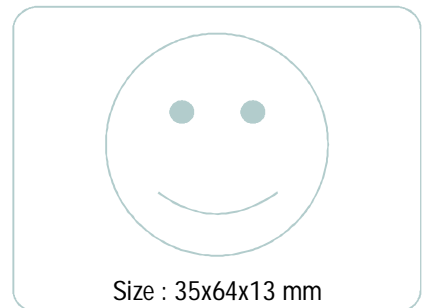
Size : 48x62x10 mm

NISSAN Model : FRONTONT WHEEL
NISS LNGY PLSR1.3
EO Part No.- E00S016



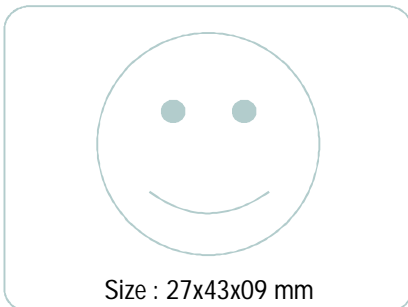
Size : 46x59x12/13 mm

NISSAN Model : FRONTONT WHEEL
NISS LAU SKY 1.8 2
EO Part No.- E00S019



Size : 35x64x13 mm

NISSAN Model : PINION NISS
1400 1800 SKY J15
EO Part No.- E00S023



Size : 27x43x09 mm

NISSAN Model : GEARBOX TC CAM
ISU NISS COUR HON
EO Part No.- E00S028



Size : 55x79/84x13/8/1 mm

NISSAN Model : FRONTONT WHEEL
NISS 2.4 2.7 3.0 SANI
EO Part No.- E00S029



Size : 53x73/68x9.5/13 mm

NISSAN Model : FRONTONT WHEEL
NISS SENT 1.4 1.6
EO Part No.- E00S031



Size : 35x50x12 mm

NISSAN Model : GEARBOX
NISS 1-TOWN 2.0 2.
EO Part No.- E00S037



Size : 38x55x9M mm

NISSAN Model : TC CAM GEARBOX
NISS TOY CAM CNQST
EO Part No.- E00S074



NISSAN Model : GEARBOX NISS
1400 A14 A14S CHAMP
EO Part No.- E00S127



Oil Seals



Size : 80x100x10 mm

NISSAN **Model : REAR WHEEL NISS 720 HONDA**
EO Part No.- EOOS137



Size : 54x65x13 mm

NISSAN **Model : FRONTONT WHEEL METAL NISS 1-TONN E20**
EO Part No.- EOOS142



Size : 34x48x8 mm

NISSAN **Model : TC CAM NISS 91**
EO Part No.- EOOS144



Size : 40x52x8 mm

NISSAN **Model : TC CAM NISS SENT 140 160**
EO Part No.- EOOS146



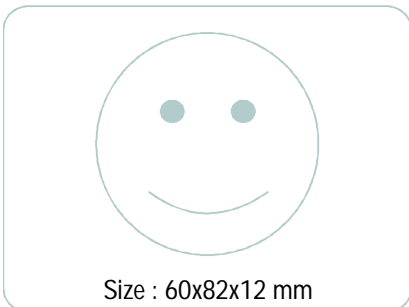
Size : 50x68x9 mm

NISSAN **Model : TC CAM FRONTONT WHEEL NISS TOY METAL**
EO Part No.- EOOS151



Size : 52.3x76.2x9.5/15 mm

NISSAN **Model : DIFF. PINION NISSAN ITON**
EO Part No.- EOOS163



Size : 60x82x12 mm

NISSAN **Model : RM NISS 1400 LNGY PLSR EXA**
EO Part No.- EOOS170



Size : 43x54x7.5 mm

NISSAN **Model : REAR WHEEL NISSAN B 11**
EO Part No.- EOOS192



Size : 46x69.4x11/16 mm

NISSAN **Model : FW NISS SKY 2.0 3.0**
EO Part No.- EOOS047



Size : 48x62x6 mm

NISSAN **Model : FW NISS 1400 1600 180**
EO Part No.- EOOS059



Size : 45x75x10 mm

NISSAN **Model : PINION BMW 5-SER NISS**
EO Part No.- EOOS075



Size : 86x100x10 mm

NISSAN **Model : RM NISS 2.5 2.7 4X4**
EO Part No.- EOOS078



Oil Seals



Size : 84x104x8.5 mm

NISSAN **Model :** RM NISS
SENT PRIMERA
EO Part No.- EOOS089



Size : 26x49x10/11.2 mm

NISSAN **Model :** TC CAM
NISS SENT SABR
EO Part No.- EOOS091



Size : 36x49x7 mm

NISSAN **Model :** TC NISS B11 B12
EO Part No.- EOOS093



Size : 45x63x7MR mm

NISSAN **Model :** GEARBOX
NISS SKY 2.0
EO Part No.- EOOS095



Size : 32x50x8 mm

NISSAN **Model :** RM NISS
SENT 1.3 1.6
EO Part No.- EOOS096



Size : 45x68x12 mm

NISSAN **Model :** TC CAM
NISS TOY CRESS
EO Part No.- EOOS125



Size : 48x70x9 mm

NISSAN **Model :** RW ISU MAZ NISS
TC CAM NISS 1-TONN E2
EO Part No.- EOOS155



Size : 35x50x10 mm

NISSAN **Model :** TC CAM
NISS 1-TONN E2
EO Part No.- EOOS169



Size : 31x50x8 mm

OPEL **Model :** TC CAM OPEL
KDTT MON 1.6 1.8
EO Part No.- EOOS056



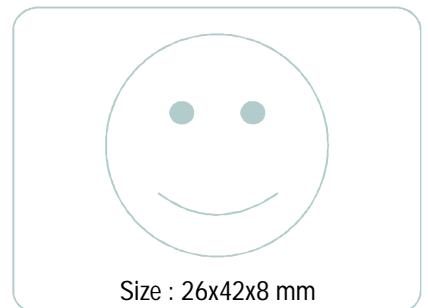
Size : 34x54x9/15.5 mm

OPEL **Model :** DRIVE SHAFT OPEL
AST COR TOYOTA FRONTONT WHEELD
EO Part No.- EOOS124



Size : 80x98x10 mm

OPEL **Model :** RMOPEL AST
ABCKDIT MON D
EO Part No.- EOOS174



Size : 26x42x8 mm

OPEL **Model :** GEARBOX TC
CAM OPEL HONDA
EO Part No.- EOOS200



Oil Seals



Size : 45x62x10 mm

OPEL

Model : FW RW
PINION VW OPEL
EO Part No.- E00S061



Size : 52x65x9 mm

TOYOTA

Model : REAR WHEEL
TOYOTA CRESS STALL TU
EO Part No.- E00S013



Size : 65x85x10/8 mm

TOYOTA

Model : TOYOTA
HLX 2.7 3.0 FRONTT W
EO Part No.- E00S032



Size : 35x55x11 mm

TOYOTA

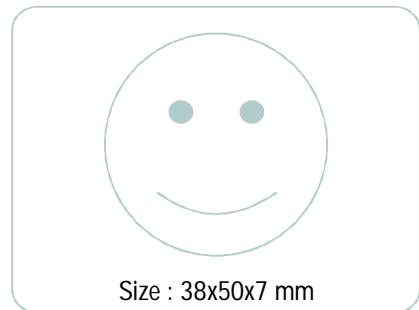
Model : RW PINION
MAZ B-SER T
EO Part No.- E00S035



Size : 75x100x8.5 mm

TOYOTA

Model : RM TOYOTA CRLLA
CNQST FRONTONT WHEELD CRESS
EO Part No.- E00S036



Size : 38x50x7 mm

TOYOTA

Model : TC CAM BMW
OPEL REU TOYOTA
EO Part No.- E00S045



Size : 50x68x09 mm

TOYOTA

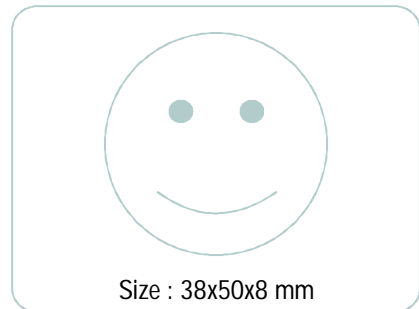
Model : FRONT WHEEL TC
CAM FW NISS TOY ME
EO Part No.- E00S060



Size : 25x37x08 mm

TOYOTA

Model : GEARBOX TOY
CRLLA CNQST FRONTT
EO Part No.- E00S068



Size : 38x50x8 mm

TOYOTA

Model : TC CAM TOYOTA
CMRY CRLLA L/CRUIS RAV4
EO Part No.- E00S071



Size : 34x63x9/15.5 mm

TOYOTA

Model: DRIVE SHAFT TOYOTA
CRLLA FRONTONT WHEELD 1.3 1.6
EO Part No.- E00S087



Size : 40x52x7 mm

TOYOTA

Model : FRONTONT WHEEL
TC CAM OPEL Volkswagon BLF S
EO Part No.- E00S097



Size : 41x55x6 mm

TOYOTA

Model : RR WHEEL
TOYOTA COROLLA
EO Part No.- E00S104



Oil Seals



Size : 30x45x8 mm

TOYOTA **Model :** GEARBOX
TC CAM TOYOTA NIS MIT
EO Part No.- E00S113



Size : 25x38x7 mm

TOYOTA **Model :** GEARBOX TOYOTA.
COROLLA CNQ 1.31.61.8
EO Part No.- E00S119

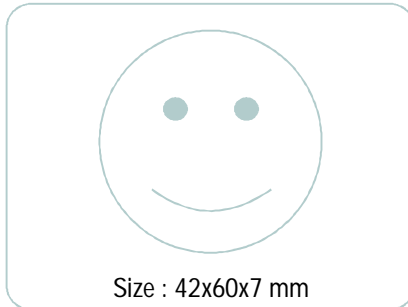


Size : 35x49x6 mm

TOYOTA **Model :** TC CAM TOY
CRLLA CNQST 1.3 1.6 1.8
EO Part No.- E00S130



TOYOTA **Model :** DIFF. PINION
CHEV FORD ISU HLX HCE
EO Part No.- E00S131



Size : 42x60x7 mm

TOYOTA **Model :** TC CAM TOY
CMRY HCE HLX VEN
EO Part No.- E00S132



Size : 80x100x8.5 mm

TOYOTA **Model :** RR MAIN
BRG. TOYOTA HLX
EO Part No.- E00S133



Size : 38x74x11 mm

TOYOTA **Model :** PINION TOYOTA
CRESS HCE HLX S
EO Part No.- E00S134



Size : 46x62x9/24 mm

TOYOTA **Model :** REAR WHEEL
TOYOTA HCE HLX 2.0 2.2 2.4
EO Part No.- E00S135



Size : 80x100x12 mm

TOYOTA **Model :** RM BMW
NISS TOY CRESS HLX
EO Part No.- E00S136



Size : 50x70x09 mm

TOYOTA **Model :** REAR WHEEL METAL
TOYOTA HCE HLX 1.6 1.8 2.2
EO Part No.- E00S138



Size : 48x65x10 mm

TOYOTA **Model :** TC CAM FRONTONT
WHEEL GEARBOX TOYOTA NISS
EO Part No.- E00S141



Size : 52x66.2x7.2 mm

TOYOTA **Model :** KIT FRONTONT WHEEL
TOYOTA CRLLA FRONTONT WHEELD 88
EO Part No.- E00S148



Oil Seals



Size : 52x68x7.5/12 mm

TOYOTA **Model :** KIT FRONTONT
WHEEL TOY CRLLA Frontont Wheel 84
EO Part No.- E00S149



Size : 30x42x7 mm

TOYOTA **Model :** GEARBOX PINION
AUDI BMW volkswagon TOY
EO Part No.- E00S150



Size : 42x66.5x9R mm

TOYOTA **Model :** DIFF. PINION
CHEV FORD ISU HLX HCE
EO Part No.- E00S164



Size : 48x62x7.5 mm

TOYOTA **Model :** DRIVE SHAFT
TOYOTA Volkswagon AUDI
EO Part No.- E00S165



Size : 38x85x11 mm

TOYOTA **Model :** GEARBOX FRONTONT
Wheel TC CAM Toyota HCE HLX CRLLA
EO Part No.- E00S166



Size : 70x92x8.5 mm

TOYOTA **Model :** RM TOYOTA
CRLLA CNQST STALL VEN
EO Part No.- E00S171



Size : 62x85x8/10 mm

TOYOTA **Model :** REAR WHEEL
Frontont Wheel TOY HLX 2.0 2.2 2.4 2.8
EO Part No.- E00S177



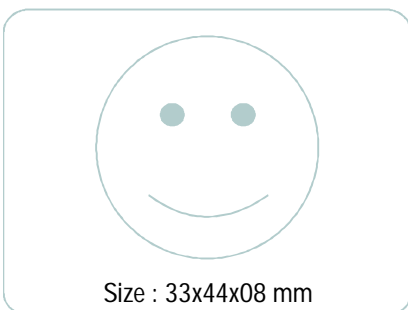
Size : 35x48x7 mm

TOYOTA **Model :** TC CAM
OPEL TOYOTA
EO Part No.- E00S184



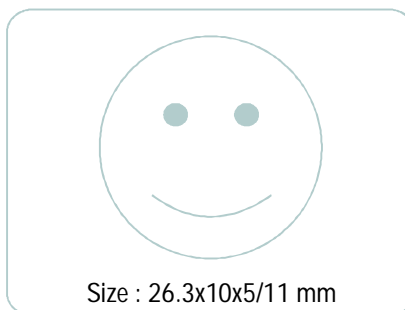
Size : 32x48x7 mm

TOYOTA **Model :** TC CAM GEARBOX
TOYOTA HCE HLX STALL
EO Part No.- E00S195



Size : 33x44x08 mm

TOYOTA **Model :** DRIVE SHAFT
TOY HLX
EO Part No.- E00S196



Size : 26.3x10x5/11 mm

TOYOTA **Model :** TAPPET SEAL
TOY HCE Y-SERIES(3PCS)
EO Part No.- E00S197



Size : 50x72x12 mm

TOYOTA **Model :** TC CAM
MAZ TOY L/CRUI
EO Part No.- E00S048



Oil Seals



TOYOTA **Model : TOY CRLLA
4AF PLUG TUBE S
EO Part No.- EOOS053**



TOYOTA **Model : TOY CRLLA
4AF PLUG TUBE S
EO Part No.- EOOS054**



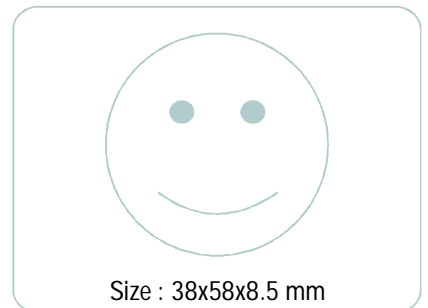
TOYOTA **Model : GEARBOX
TOY CRLLA 3K
EO Part No.- EOOS064**



TOYOTA **Model : GEARBOX
TOY CAMRY 92
EO Part No.- EOOS077**



TOYOTA **Model : RM TOY
DYNA 3.0 3.7 L
EO Part No.- EOOS080**



TOYOTA **Model : TC CAM
TOY CRESS 1.8
EO Part No.- EOOS081**



TOYOTA **Model : DRIVE
SHAFT TOY CAMRY
EO Part No.- EOOS082**



TOYOTA **Model : FW TOY L/CRUIS
EO Part No.- EOOS140**



TOYOTA **Model : RW METAL
TOY HCE HLX
EO Part No.- EOOS143**



TOYOTA **Model : GEARBOX
FW TC CAM TOY
EO Part No.- EOOS162**



TOYOTA **Model : TC CAM
TOY CMRY HCE H
EO Part No.- EOOS173**



TOYOTA **Model : FW TOY
CONDOR 2.4 3.0
EO Part No.- EOOS176**



Oil Seals



Size : 56x78x7.5/13 mm

TOYOTA **Model :** FW TOY
CONDOR 2.4 3.0
EO Part No.- E00S179



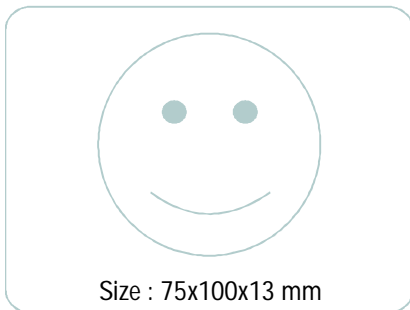
Size : 53x64/70x9/24 mm

TOYOTA **Model :** RW TOY
TOY HLX 2.7I 3
EO Part No.- E00S180



Size : 38x74x11 mm

TOYOTA **Model :** PINION TOY
CRESS HCE
EO Part No.- E00S182



Size : 75x100x13 mm

TOYOTA **Model :** RM TOY
CRLLA CRESS DY
EO Part No.- E00S202



Size : 48x72x7/9 mm

VOLKSWAGON **Model :** RW VW
KOMBI ALL INN
EO Part No.- E00S175



Size : 40x52/58x8 mm

VOLKSWAGON **Model :** Rear Wheel
Frontont Wheel Volkswagon Gear Lever F
JETT OPE **EO Part No.-** E00S014



Size : 85x105x10 mm

VOLKSWAGON **Model :** RM TOYOTA
Volkswagon PEU L/CRUIS
EO Part No.- E00S079



Size : 40x62x10 mm

VOLKSWAGON **Model:** Frontont Wheel
TC CAM Volkswagon KOMBI PEUGEOT
EO Part No.- E00S086



Size : 22x40x8 mm

VOLKSWAGON **Model :** GEARBOX
Volkswagon Gear LeverF Jett Ford EST
EO Part No.- E00S112



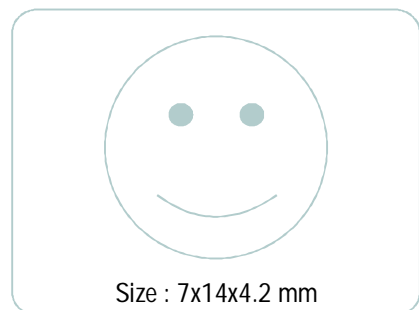
Size : 22x40x16 mm

VOLKSWAGON **Model :** GEARBOX
Volkswagon KOMBI BEETLE
EO Part No.- E00S114



Size : 50x65.2x10 mm

VOLKSWAGON **Model :** KIT DRIVE
SHAFT Volkswagon GEAR LEVER
EO Part No.- E00S193



Size : 7x14x4.2 mm

VOLKSWAGON **Model :** PUSH ROD
Volkswagon GOLF 1+2
EO Part No.- E00S194



Oil Seals



Size : 40x62x10 mm

Model : GEARBOX DRIVE SHAFT R
EO Part No.- E00S007



Size : 33x56x9/15 mm

Model : GEARBOX DRIVE SHAFT F
EO Part No.- E00S011



Size : 35x62x9/11.5 mm

Model : GEARBOX DRIVE SHAFT H
EO Part No.- E00S088



Size : 31x46x8 mm

EO Part No.- E00S098



Size : 34x48x10 mm

EO Part No.- E00S145



Size : 54x65x13M mm

EO Part No.- E00S156



Size : 54x65x13R mm

EO Part No.- E00S159



Size : 60x88x12 mm

EO Part No.- E00S161



Size : 48x72x9 mm

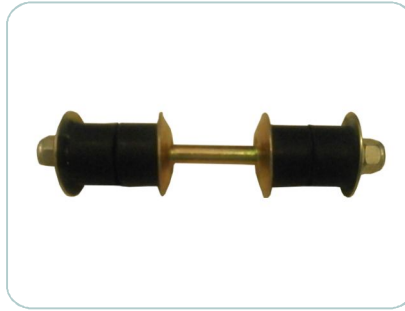
EO Part No.- E00S201



Stabilizer Parts



ISUZU STABILIZER PIN KIT WFR
EO Part No.: EOSTB001



NISSAN STABILIZER KIT NISSAN
1400 A14 LDV STABKIT
EO. Part No.: EOSTB002



NISSAN STABILIZER KIT NISSAN
1400 A14 LDV STABKIT
EO Part No.: EOSTB003



TOYOTA STABILIZER KIT TOYOTA
NISS ISU MAZ STABKIT (THIN) T
EO Part No.: EOSTB004



TOYOTA STABILIZER KIT TOYOTA NISS
ISU MAZ STABKIT (THIN) T
EO Part No.: EOSTB005



TOYOTA STABILIZER KIT TOYOTA
HCE HLX STABKIT (THICK)
EO Part No.: EOSTB006



TOYOTA STABILIZER KIT TOYOTA
HCE HLX STABKIT (THICK)
EO Part No.: EOSTB007



TOYOTA STABILIZER KIT VENTURE
EO Part No.: EOSTB008



Suspension Parts



FORD U BOLT FORD COURIER
EO Part No.: EOSSP001



FORD / MAZDA AR6144 LATERAL
LINK MAZ LSR FORD (LON)
EO. Part No.: EOSSP002



FORD / MAZDA AR6145A LAT LINK
FORD LSR MAZ ADJUSTABLE
EO Part No.: EOSSP004



FORD / MAZDA AR5081 BUSH
STABILIZER FORD MAZDA TOY NISSAN
EO Part No.: EOSSP005



ISUZU U-BOLT ISUZU KB TFR 88
EO Part No.: EOSSP006



ISUZU U BOLT BASE PLATE ISUZU LH
EO Part No.: EOSSP007



ISUZU U BOLT BASE LPATE ISUZU RH
EO Part No.: EOSSP008



ISUZU SHK HANGER ISU KB230
EO Part No.: EOSSP009



ISUZU IDLER ARM ISUZU WFR
WITH NUT
EO Part No.: EOSSP040



MAZDA AR6145 LATERAL LINK
MAZ 323 FWD LH
EO Part No.: EOSSP010



MAZDA AR6144 LATERAL LINK
MAZ LSR FORD (LON)
EO Part No.: EOSSP011



MAZDA AR6148A LATERAL LINK
MAZ 323 LSR MET (ADJUSTA)
EO. Part No.: EOSSP013



Suspension Parts



MAZDA AR6159P LATERAL LINK
MAZ 323 LSR LH
EO Part No.: EOSSP014



MAZDA AR6158P LATERAL LINK
MAZ 323 LSR RH
EO Part No.: EOSSP015



MAZDA AR6145 LATERAL LINK
MAZ 323 FWD LH
EO Part No.: EOSSP017



MAZDA AR6148A LATERAL LINK
MAZ 323 LSR MET (ADJUSTA)
EO Part No.: EOSSP020



MAZDA AR6159P LATERAL LINK
MAZ 323 LSRLH
EO Part No.: EOSSP021



NISSAN U BOLT NISS 1 TONN
EO Part No.: EOSSP022



NISSAN U BOLTS NISSAN 1400 LDV
EO Part No.: EOSSP023



NISSAN NISSAN E 20 1800/L-18
EO Part No.: EOSSP024



NISSAN U BOLT PLATE
NISSAN 1400 LDV RH
EO Part No.: EOSSP025



NISSAN U BOLT PLATE
NISSAN 1400 LDV LH
EO Part No.: EOSSP026



TOYOTA U BOLT TOYOTA Y-SER
IMP DIFF RR
EO Part No.: EOSSP028



TOYOTA U-BOLT TOYOTA Y SERIES,
S10, LOCAL DIFF. ®
EO Part No.: EOSSP029



Suspension Parts



TOYOTA U-BOLT TOYOTA VENTURE
EO Part No.: EOSSP030



TOYOTA U BOLT BASE LH ZOLA
EO Part No.: EOSSP031



TOYOTA U BOLT BASE RH ZOLA
EO Part No.: EOSSP032



TOYOTA U BOLT BASE RHHI-LUX
EO Part No.: EOSSP033



TOYOTA U BOLT BASE LH HI-LUX
EO Part No.: EOSSP034



TOYOTA U BOLT BASE PLATE
QUANTOM RH
EO Part No.: EOSSP035



TOYOTA U BOLT BASE PLATE
QUANTOM LH
EO. Part No.: EOSSP036



TOYOTA SHK HANGER TOYOTA
HCE Y-SER LRG
EO Part No.: EOSSP037



TOYOTA SHACKLE HANGER
TOY HLX YN
EO Part No.: EOSSP038



TOYOTA LATERAL LINK
TOY COROLLA FW ,REAR RH 88-
EO Part No.: EOSSP039



TOYOTA IDLER ARM TOYOTA. Y SER
WITH NUT AND METAL BUSH & NUT
EO Part No.: EOSSP041



Universal Parts Accessories



FIAT OIL CAP FIAT
EO Part No.: EOUPA001



FORD OC YELLOW XR-3
EO. Part No.: EOUPA002



ISUZU GREASE CAP WFR
EO Part No.: EOUPA003



MAZDA GREASE CAP MAZ MRTH
FORD COUR SPEC
EO Part No.: EOUPA004



NISSAN FUEL CAP UNI NON LOCK
NISSAN
EO Part No.: EOUPA005



NISSAN GREASE CAP NISSAN
WITH ORING E-20
EO Part No.: EOUPA006



NISSAN GREASE CAP
NISSAN 1200 1400 A14 LDV
EO Part No.: EOUPA007



TOYOTA FUEL CAP UNI NON LOCK
TOY NISS MAZ
EO Part No.: EOUPA008



TOYOTA FUEL CAP UNIVERSAL
NON-LOC TOYOTA HLX
EO Part No.: EOUPA009



TOYOTA FUEL CAP UNI
NON LOCK TOY HCE HLX
EO Part No.: EOUPA010



TOYOTA FUEL CAP LOCK TYPE
NISSAN/TOY/MIT
EO Part No.: EOUPA011



TOYOTA LOCKING CAP
TOYOTA Y-SER WITH KEY
EO Part No.: EOUPA012



Universal Parts Accessories



TOYOTA OIL CAP TOY HCE
HLX Y-SERIES
EO Part No.: EOUPA013



TOYOTA ACC RUBBER
BONNET CATCHES (PAIR)
EO. Part No.: EOUPA014



TOYOTA SHOCK TAIL GATE TOYOTA
HCE YH LH
EO Part No.: EOUPA015



TOYOTA SHOCK TAIL GATE TOYOTA
HCE YH RH
EO Part No.: EOUPA016



TOYOTA WATER PUMP ADAPTOR
EO Part No.: EOUPA017



TOYOTA GREASE CAP TOY HCE HLX
EO Part No.: EOUPA018



TOYOTA GREASE CAP TOYOTA
VENTURE CRLA CRESS
EO Part No.: EOUPA019



UNIVERSAL RUBBER MATT
EO Part No.: EOUPA020



UNIVERSAL ACC CANOPY CATCHES
EO Part No.: EOUPA021



UNIVERSAL SPANNER SET RING &
FLAT (6,7,8,9,10,11,12,13,14,17,19)
EO Part No.: EOUPA022



UNIVERSAL SPANNER SET RING &
FLAT (6 to 19, 22)
EO Part No.: EOUPA023



UNIVERSAL TQ COMBINATION
SPANNER SET 17PCS
EO Part No.: EOUPA024



Universal Parts Accessories



UNIVERSAL SPANNER SET RING & FLAT (10, 11, 12, 13, 14, 17)
EO Part No.: EOUPA025



UNIVERSAL SPANNER SET RING & FLAT (7, 8, 9, 10, 12, 13, 14, 17 19)
EO. Part No.: EOUPA026



UNIVERSAL ACC LICENCE HOLDER SINGLE (METAL)
EO Part No.: EOUPA027



UNIVERSAL ACC LICENCE HOLDER SING (PLAST)
EO Part No.: EOUPA028



UNIVERSAL OIL CAN METAL FLEX SPOUT 300CC
EO Part No.: EOUPA029



UNIVERSAL OIL CAN METAL FLEX SPOUT 500CC
EO Part No.: EOUPA030



UNIVERSAL TQ SPANNER COMB 10MM RNG + FLT
EO Part No.: EOUPA031



UNIVERSAL TQ SPANNER COMB 11MM RNG + FLT
EO Part No.: EOUPA032



UNIVERSAL TQ SPANNER COMB 12MM RNG + FLT
EO Part No.: EOUPA033



UNIVERSAL COMB OPEN/RING SPANNER 13 mm
EO Part No.: EOUPA034



UNIVERSAL TQ SPANNER COMB 14MM RNG + FLT
EO Part No.: EOUPA035



UNIVERSAL TQ SPANNER COMB 15MM RNG + FLT
EO Part No.: EOUPA036



Universal Parts Accessories



UNIVERSAL TQ SPANNER COMB
16MM RNG + FLT
EO Part No.: EOUPA037



UNIVERSAL TQ SPANNER COMB
17MM RNG + FLT
EO Part No.: EOUPA038



UNIVERSAL TQ SPANNER COMB
18MM RNG + FLT
EO Part No.: EOUPA039



UNIVERSAL TQ SPANNER COMB
19MM RNG + FLT
EO Part No.: EOUPA040



UNIVERSAL TQ SPANNER COMB
20MM RNG + FLT
EO Part No.: EOUPA041



UNIVERSAL TQ SPANNER COMB
21MM RNG + FLT
EO Part No.: EOUPA042



UNIVERSAL TQ SPANNER COMB
22MM RNG + FLT
EO Part No.: EOUPA043



UNIVERSAL TQ SPANNER COMB
23MM RNG + FLT
EO Part No.: EOUPA044



UNIVERSAL COMB OPEN/RING
SPANNER 24 mm
EO Part No.: EOUPA045



UNIVERSAL COMB OPEN/RING
SPANNER 6 mm
EO Part No.: EOUPA046



UNIVERSAL TQ SPANNER COMB
7MM RNG + FLT
EO Part No.: EOUPA047



UNIVERSAL COMB OPEN/RING
SPANNER 8 mm
EO Part No.: EOUPA048



Universal Parts Accessories



UNIVERSAL COMB OPEN/RING
SPANNER 9 mm
EO Part No.: EOUPA049



UNIVERSAL TO SCREWDRIVER
REVERSIBLE 2 IN 1
EO. Part No.: EOUPA050



UNIVERSAL RAD CAP MTG3-13
NIPPY 90
EO Part No.: EOUPA052



UNIVERSAL RAD CAP TG3-13
EO Part No.: EOUPA053



UNIVERSAL RAD CAP TOYOTA
1RZE 4AGE 7AFE 96-
EO Part No.: EOUPA054



UNIVERSAL TO PLUG SPANNER
16MMX200 TUBE WITH HANDLE
EO Part No.: EOUPA055



UNIVERSAL TOPLUG SPANNER
21MMX200 TUBE
EO Part No.: EOUPA056



UNIVERSAL TO PLUG SPANNER
16MMX300 TUBE WITH HANDLE
EO Part No.: EOUPA057



UNIVERSAL TO PLUG SPANNER
21MMX300 TUBE WITH HANDLE
EO Part No.: EOUPA058



UNIVERSAL TO RING
SQUEEZER 53-125MM
EO Part No.: EOUPA059



UNIVERSAL VALVE GRINDING COMP
(COARSE + FINE) IMPORTED
EO Part No.: EOUPA060



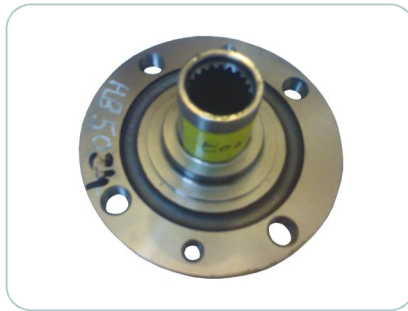
UNIVERSAL CROSS 4 WAY
SPANNER SILVER COLOUR
EO Part No.: EOUPA061



Wheel Hubs & Brake Drums



DAIHTSU WHEEL HUB
DAIHTSU CHRADE ALL
EO Part No.: EOWH16



FIAT WHEEL HUB FIAT UNO
EO. Part No.: EOWH05



FORD WHEEL HUB
FORD BANTAM, LASER, MIDGE
EO Part No.: EOWH01



HONDA WHEEL HUB
HONDA SR4 SH4 (FRONT HUB)
EO Part No.: EOWH03



MAZDA HUB MAZ 626 2. 0L
(4XSTUD)
EO Part No.: EOWH13



MAZDA HUB MAZ MRTH SPEC
FORD COURIER
EO Part No.: EOWH35



MAZDA WHEEL HUB MAZDA 323
WITH BOLTS
EO Part No.: EOWH09



NISSAN DRUM NISS E20 720
LDV ISU RELA
EO Part No.: EOWH36



NISSAN HUB NISS
SENTRA MK1 + 2
EO Part No.: EOWH10



NISSAN NISSAN SENTRA MARK 3
EO Part No.: EOWH37



NISSAN WHEEL HUB
NISS 1400 A14 LDV
EO Part No.: EOWH18



OPEL WHEEL HUB OPEL
EO Part No.: EOWH04



OPEL WHEEL HUB OPEL,
39 MM ASTRA 1.8
EO Part No.: EOWH14



TOYOTA DRUM TOY HCE HLX
LOCAL DIFF(819 SHOES)
EO. Part No.: EOWH38



TOYOTA HUB TOYOTA CRESS
RX60 RX70
EO Part No.: EOWH39



TOYOTA HB 5000
EO Part No.: EOWH08



TOYOTA TOYOTAOTA 3 Y
EO Part No.: EOWH40



TOYOTA WHEEL HUB TOYOTA
VENTURE, STALLION 1.8
EO Part No.: EOWH41



TOYOTA WHEEL HUB TOYOTA
VENTURE, STALLION 2.2
EO Part No.: EOWH42



TOYOTA WHEEL HUB TOYOTA
COROLLA WITH BOLTS
EO Part No.: EOWH06



TOYOTA HUB TOY CRLLA EE90
REAR WITH NUT
EO Part No.: EOWH12



TOYOTA DRUM TOYOTA HCE HLX
IMP DIFF 78- (452 SHOES)
EO Part No.: EOWH43



TOYOTA TOTOYOTAA LOCAL DIFF
EO Part No.: EOWH44



TOYOTA HUB TOY CRESS RX60 RX70
EO Part No.: EOWH17



Wheel Hubs & Brake Drums



VOLKSWAGON WHEEL HUB
VOLKSWAGON CADDY 1.6
EO Part No.: EOWH11



VOLKSWAGON WHEEL HUB
VOLKSWAGON GOLF II 35MM
EO. Part No.: EOWH07



VOLKSWAGON WHEEL HUB
VOLKSWAGON Gti, JETTA 40MM
EO Part No.: EOWH02

We Export to:



• AFGHANISTAN



• ALGERIA



• AUSTRALIA



• BANGLADESH



• BOTSWANA



• BRAZIL



• EGYPT



• GERMANY



• INDONESIA



• IRAN



• ITALY



• KENYA



• MEXICO



• MOZAMBIQUE



• NAMIBIA



• SINGAPORE



• SOUTH AFRICA



• SRI LANKA



• SUDAN



• SYRIA



• TURKEY



• U.A.E.



• U.S.A.



• UGANDA



• UKRAINE



• UNITED KINGDOM



• ZIMBABWE





EMPIRE TRADING

Regd. Office : Shed No. 2, Khasra No. 2017, Sukhrali Enclave, Old Delhi Road,
Near Atul Kataria Chowk, Gurugram-122001 Haryana (INDIA)
Phone: +91 9354267495, +91 9810138100
E-mail : empireoverseas@rediffmail.com, info@empireoverseas.com
Website : www.empiretrading.in